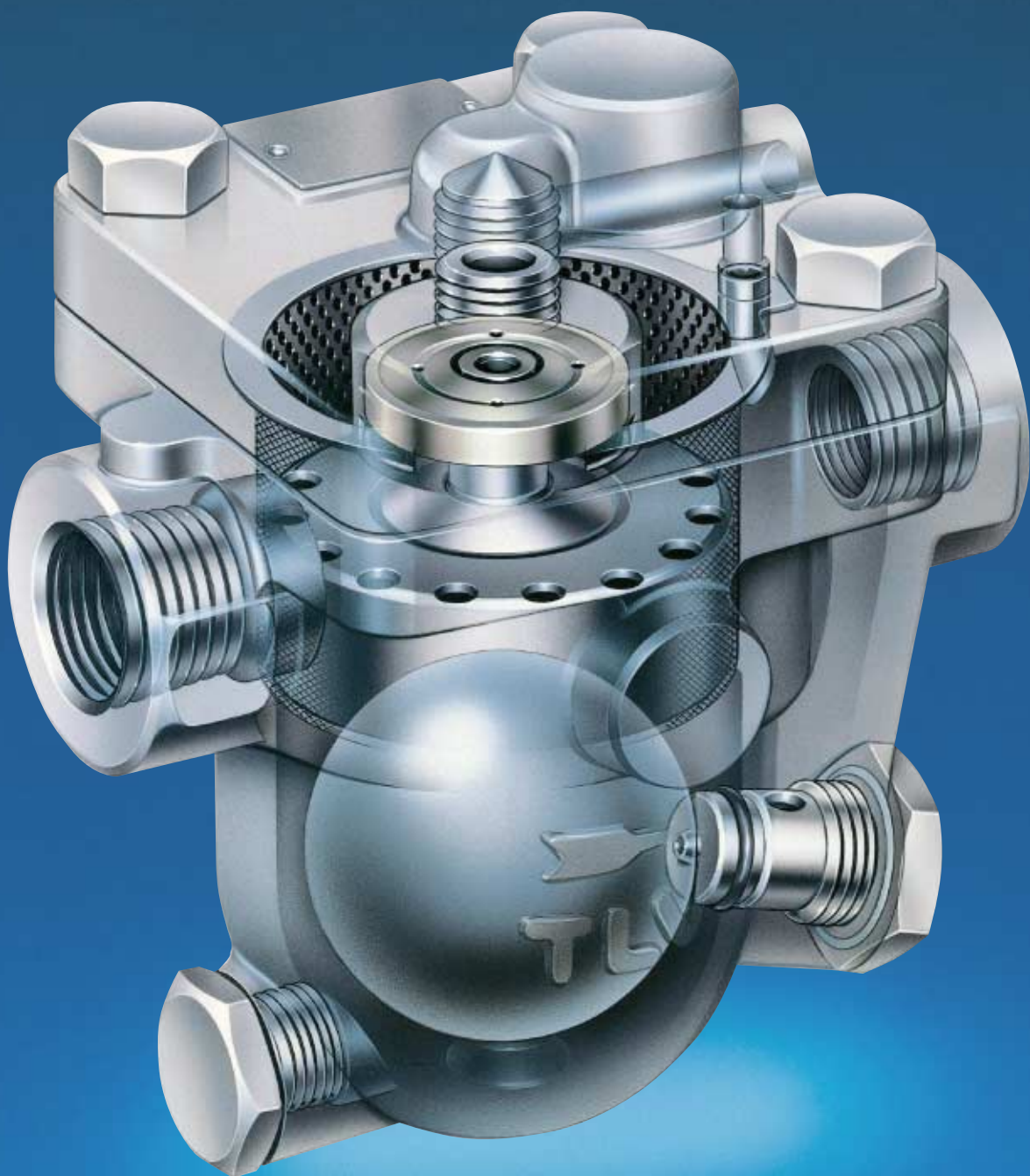


TLV[®]

Free Float[®] Steam Trap Series



Free Float® Steam Traps Revolutionizing Fluid Control Technology

“Free Float®”

More than 50 years have passed since TLV introduced the free float concept to the steam industry. Since then, TLV’s free float traps and other innovative technologies have enabled users to achieve exceptional performance in facility after facility worldwide.

Free Float® Principle

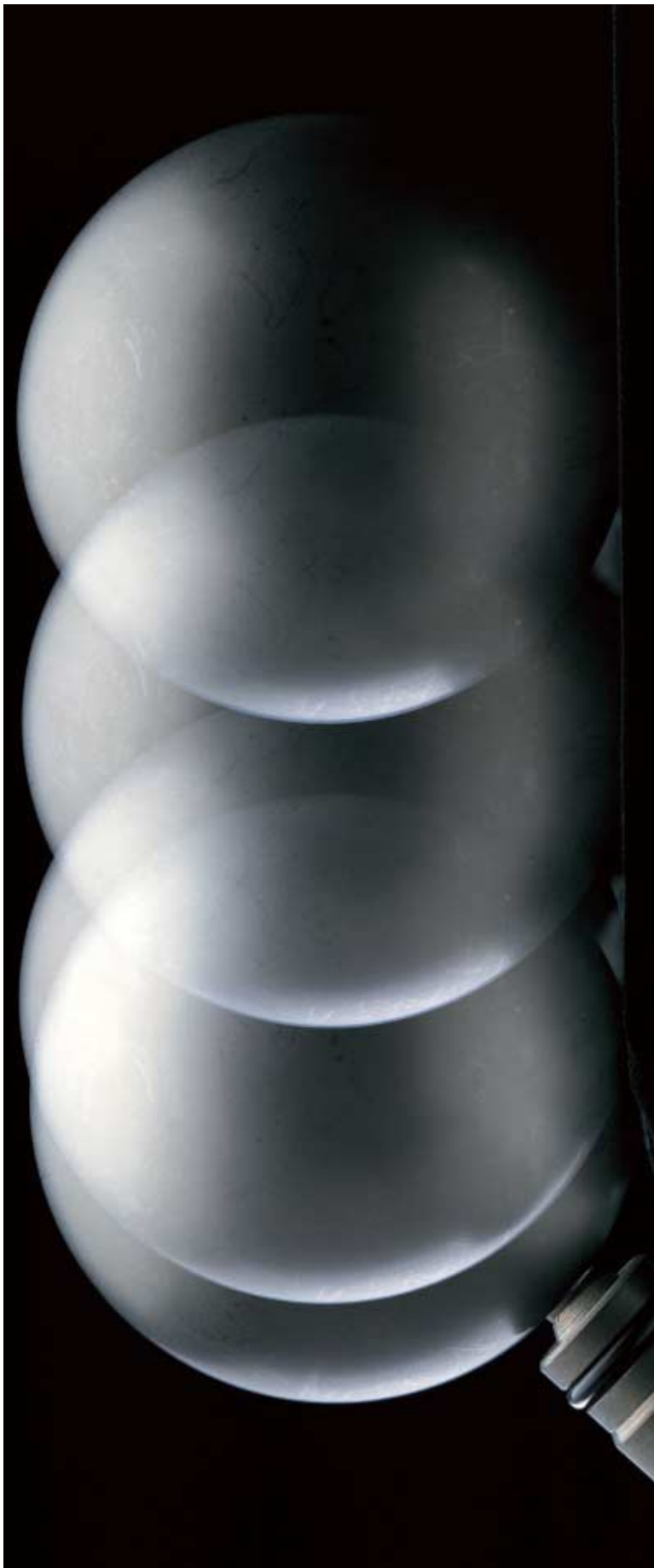
The failure of mechanical steam traps is related to their number of moving parts. TLV free float traps have only one moving part, the float. Compared to complex mechanical traps such as the inverted bucket with its levers and hinges, TLV free float traps mean fewer failures and long service life.

Precision-ground Spherical Float

For most TLV free float trap models, a unique grinding process virtually eliminates the welding seam, finishing the float to be almost perfectly spherical. These floats have unmatched sealing performance with the valve seat to prevent steam loss, and they are designed for severe service operation. Even at high pressures, they provide excellent durability and resistance to water hammer, ensuring long and reliable operation.

Simple Is Best!

Free float technology manifests TLV’s product philosophy.



The First Choice for Process Efficiency

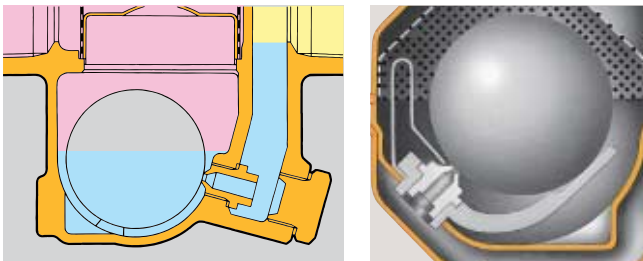
The Reasons are Simple

1 Process Efficiency

The TLV free float adjusts quickly to changes in condensate flow, ensuring rapid discharge and maximum process efficiency. Unaffected by back pressure, the TLV free float is ideal wherever condensate is recovered.

2 Energy Conservation

A valve orifice below "water level" and three-point seating in some models prevent steam leakage.



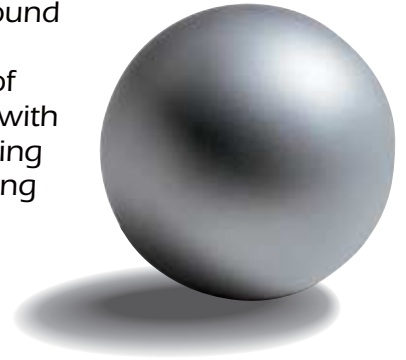
3 Integral Strainer

All internals are protected by an integral perforated stainless steel strainer screen.*

* except JL and J10 Series

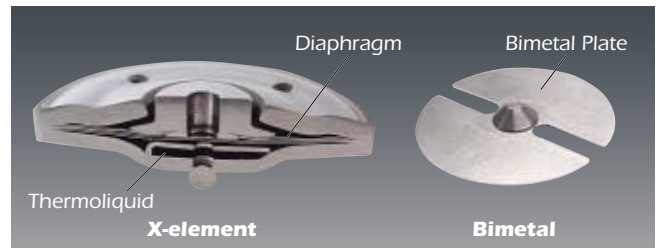
4 Long Life

The precision ground float provides an infinite number of contact surfaces with the orifice, ensuring little wear and long reliable life.



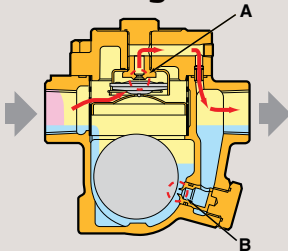
5 Automatic Air Venting

Automatic air venting discharges initial air so the equipment can be started up in the shortest possible time period. X-element also vents air at near steam temperature, suitable for batch operation equipment.



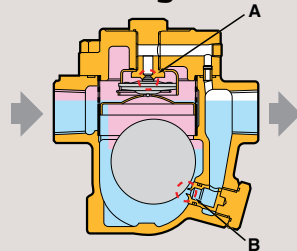
FREE FLOAT® OPERATION (X-element)

1 Start-up Discharge



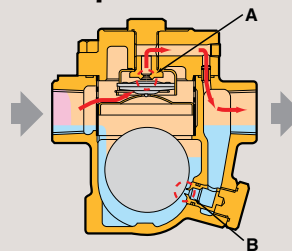
When trap is cool, the X-element contracts and valve port (A) opens wide, continuously discharging initial air. As cold condensate enters the trap, the float rises to allow discharge of condensate from valve port (B) and both air and condensate from valve port (A).

2 Hot Condensate Discharge



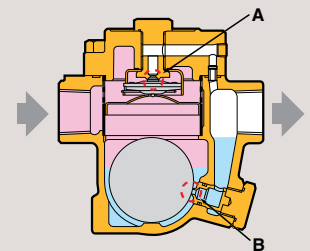
Once all initial air and cold condensate have been discharged, hot condensate heats the X-element and closes valve port (A) before steam can escape. Condensate which simultaneously enters the trap continues to be discharged through valve port (B).

3 Continuous Response



Air or retained condensate entering the trap drop the temperature and contract the X-element. Valve port (A) instantaneously opens to discharge air. When higher temperature condensate follows, the X-element expands and closes valve port (A).

4 Complete Closure



When condensate flow to the trap ceases, the float closes valve port (B) which is always sealed below the water level. The upper section fills with steam, keeping valve port (A) closed. The trap is then completely sealed, preventing any steam leakage.

THE CHOICE IS TLV'S JX/JH-X/JH-B SERIES TO MAXIMIZE ALL OF THE REQUIREMENTS OF A PROCESS STEAM TRAP'S FUNCTION

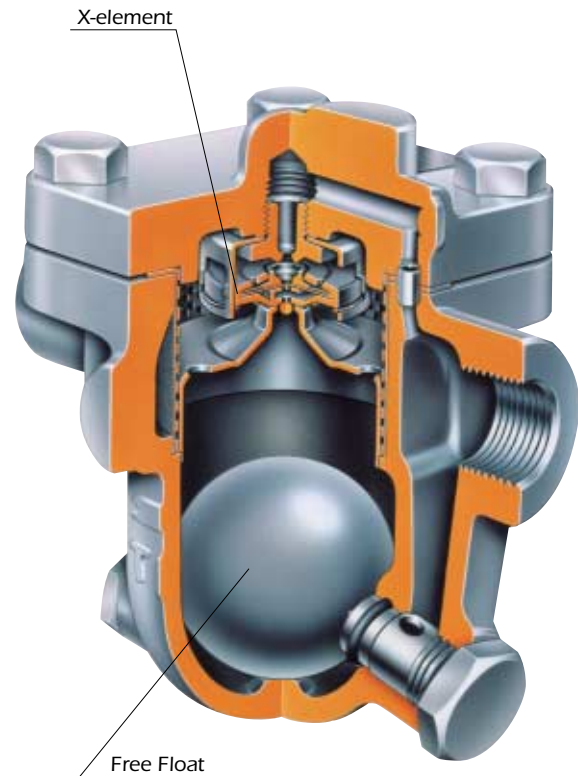
Functions Required of Process Traps

Improved Heating Efficiency and Production Quality

TLV's free float immediately adjusts the valve opening to perfectly match the amount of entering condensate. Condensate is continuously discharged, so no condensate backs up into equipment allowing process temperature to be maintained.

The Optimal Air Vent for Any Application

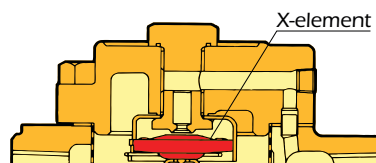
The JX and JH series offer a variety of air vents and venting devices to offer an optimized solution for any application. From rapid air venting to extremely high-pressure applications, TLV offers an air vent to fit even the most demanding needs.



Integral Automatic Air Vent

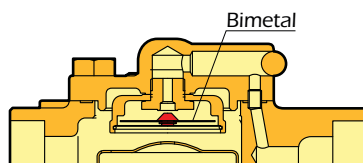
■ JX, JH-X Series

The JX and JH-X series steam traps operate stress-free and provide for rapid removal of air and non-condensable gases at start-up and during normal operation.



■ JH-B Series

The JH-B series steam traps feature a bimetal type automatic air vent for durable high-temperature service and rapid start-up



Common Features

Built-in Strainer

These steam traps also feature an integral screen with large surface area to extend trouble-free operation.

Inline Repairable

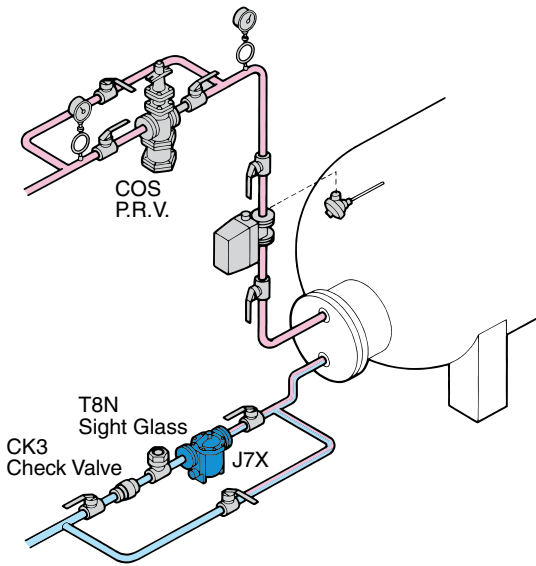
The JX, JH-X and JH-B series steam traps are equipped with a removable cover to provide ease of inspection or maintenance without disturbing the piping.



JX Series

Low-to-Med. Pressure	Small-to-Large Process
Medium Temperature	HVAC

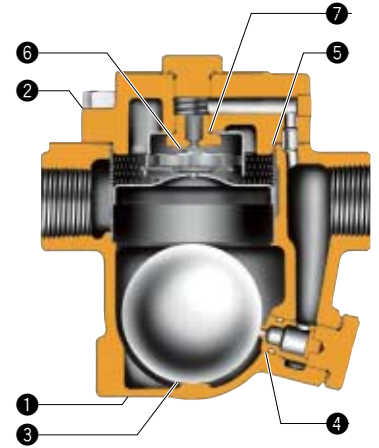
Application: Heat Exchanger



- Cast iron or ductile cast iron traps for low-to-medium pressure.
- J3S-X, J5S-X and J6S-X have stainless steel bodies, and three-point seating design which ensures a steam-tight seal.
- Automatic X-element air vent for fast start-up and venting air at close-to-steam temperature.
- Externally removable orifice for inline inspection and repair.
- Internal float cover shields and protects float from water hammer.
- Reusable cover gaskets on J3X, J5X, J3S-X, J5S-X, J6S-X and J7X save maintenance costs.



J3X

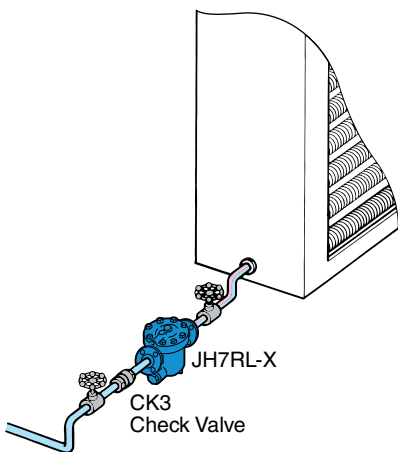


No.	Description/Material
①	Body/Cast Iron, Ductile Cast Iron, or Stainless Steel
②	Cover/Cast Iron, Ductile Cast Iron, or Stainless Steel
③	Float/Stainless Steel
④	Orifice/ —
⑤	Screen/Stainless Steel
⑥	X-element/Stainless Steel
⑦	Air Vent Seat/Stainless Steel

JH-X Series

Low-to-High Pressure	Small-to-Large Process
Medium Temperature	Process Heater

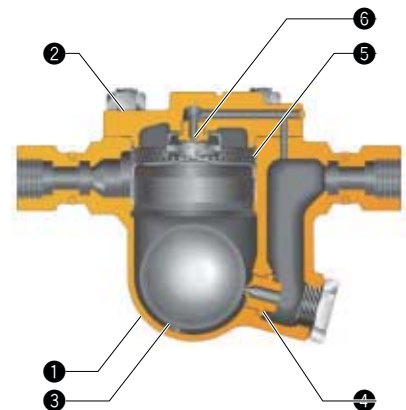
Application: Heater Battery



- Cast steel or stainless steel traps for low-to-high pressure.
- Automatic X-element air vent for fast start-up and venting air at close-to-steam temperature.
- On most models, three-point seating design ensures a steam-tight seal.
- Externally removable orifice for inline inspection and repair.
- Internal float cover shields and protects float from water hammer.



JH3S-X



No.	Description/Material
①	Body/Cast Steel or Stainless Steel
②	Cover/Forged Carbon Steel or Stainless Steel
③	Float/Stainless Steel
④	Orifice/ —
⑤	Screen/Stainless Steel
⑥	X-element/Stainless Steel

JH5RL-X

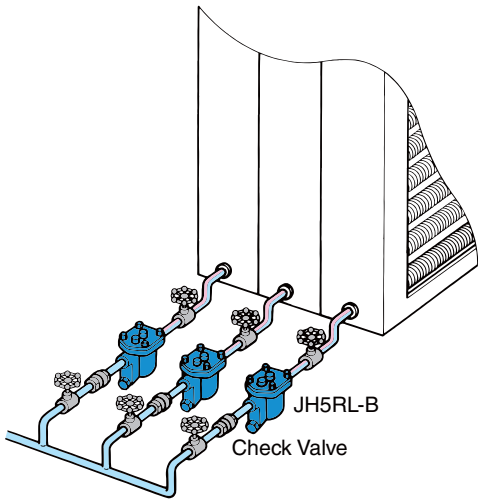
Model	J3X	J3S-X**	J5X	J5S-X**	J6S-X**	J7X	J7.2X	J7.5X	J8X	JH3S-X**	JH5SL-X**	JH5RL-X**	JH7RL-X**	JH7.2R-X	JH7.5R-X	JH8R-X
Connection*	S F	S, F	S F	S, F	S F	S, F	F	F	F	S, W, F	S, W, F	S, W, F	S, W, F	W, F	W, F	W, F
Max. Operating Pressure (MPaG)	2.1	1.6	2.1	2.1	1.6	2.1	2.1	1.6	1.6	1.6	1.6	1.6	3.2	3.2	3.2	3.2
Max. Operating Temperature (C)	220	220	220	220	220	220	220	220	220	220	220	220	240	240	240	240

* S = Screwed, W = Socket welded, F = Flanged ** Three-point seating type

JH-B Series

- Low-to-High Pressure Small-to-Large Process
- Med.-to-High Temperature Process Heater

Application: Heater Batteries

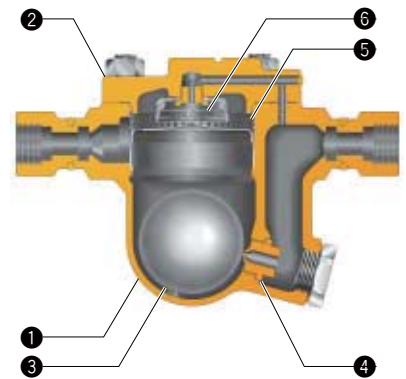


- Cast steel or stainless steel traps for low-to-high pressure.
- Automatic bimetal air vent for fast start-up.
- On most models, three-point seating design ensures a steam-tight seal.
- Externally removable orifice for inline inspection and repair.
- Internal float cover shields and protects float from water hammer.

No.	Description/Material
①	Body/Cast Steel or Stainless Steel
②	Cover/Forged Carbon Steel or Stainless Steel
③	Float/Stainless Steel
④	Orifice/ —
⑤	Screen/Stainless Steel
⑥	Bimetal Plate/ —



JH7RL-B

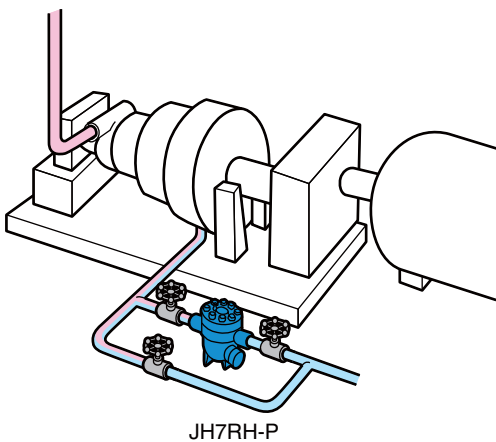


JH5RL-B

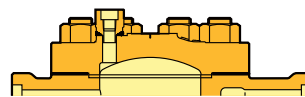
JH-P Series

- High Pressure Steam Mains
- High Temperature Steam Turbine

Application: Steam Turbine



- JH7RH-P is low alloy cast steel suitable for extremely high temperature and pressure applications.
- The JH7RH-P is equipped with a screwed plug on the cover.
- Equipped with the same features as the JH-B Series other than material and air venting.
- JH7RH-W with a socket weld connection also available for installing an external valve, pressure balancing line, etc.

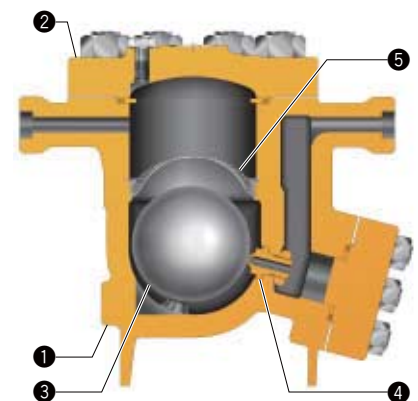


JH7RH-W (optional)

No.	Description/Material
①	Body/Low Alloy Cast Steel
②	Cover/Low Alloy Cast Steel
③	Float/Stainless Steel
④	Orifice/ —
⑤	Screen/Stainless Steel



JH7RH-P



Model	JH3S-B**	JH5SL-B**	JH5SH-B**	JH5RL-B**	JH5RH-B**	JH7RL-B**	JH7RM-B**	JH7RH-B**	JH7.2R-B	JH7.5R-B	JH8R-B	JH7RH-P**
Connection*	S, W, F	S, W, F	W, F	S, W, F	W, F	S, W, F	W, F	W, F	W, F	W, F	W, F	W, F
Max. Operating Pressure (MPaG)	3.2	4.6	6.5	4.6	8.0	4.6	6.5	10	4.6	4.6	4.6	12
Max. Operating Temperature (C)	350	425	425	425	425	425	425	425	425	425	425	530

* S = Screwed, W = Socket welded, F = Flanged ** Three-point seating type

FS-SS-SH Series

Common Features

Three-point Seating

These designs include “three-point” seating of the float for seal-tight shutoff with no steam loss even under low condensate flow condition.

Three-point Seating



Automatic Air Vent

Integral bimetal thermostatic air vent offers quick start-up and high resistance to water hammer.



Inline Repairable

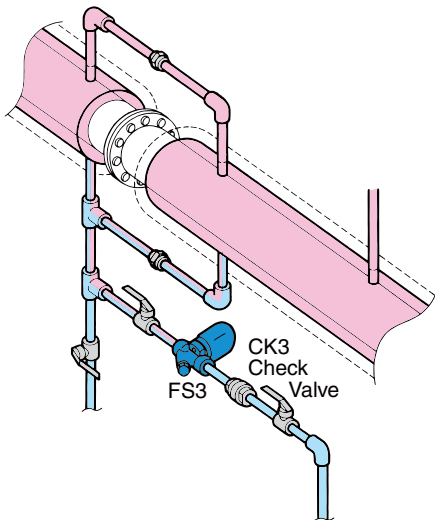
Removable cover (except FS3/5, and SS3/5) to provide ease of inspection or maintenance without disturbing the piping.



FS Series

Medium Pressure	Small Process
Medium Temperature	Drip/Tracer

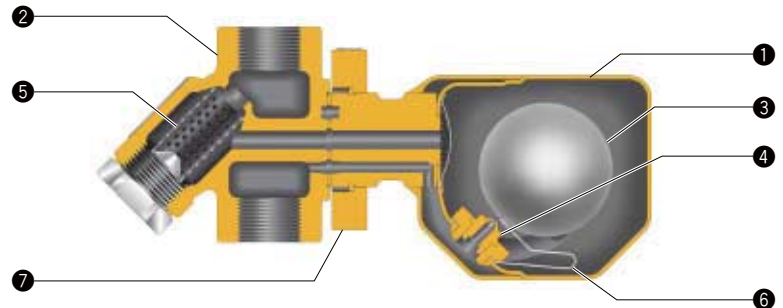
Application: Jacketed Tracer



- Stainless steel trap with two-bolt universal connector facilitates installation and replacement.
- Universal flange permits correct installation in vertical and horizontal piping. (QuickTrap)



FS3



No.	Description/Material	No.	Description/Material
①	Trap Body/Stainless Steel	⑤	Screen/Stainless Steel
②	Connector Body/Cast Stainless Steel	⑥	Air Vent Strip/Bimetal
③	Float/Stainless Steel	⑦	Flange/Forged Carbon Steel
④	Orifice/ —		

Model	FS3	FS5	FS5H
Connection*	S, W, F	W, F	W, F
Max. Operating Pressure (MPaG)	2.1	3.2	4.6
Max. Operating Temperature (C)	400	400	425

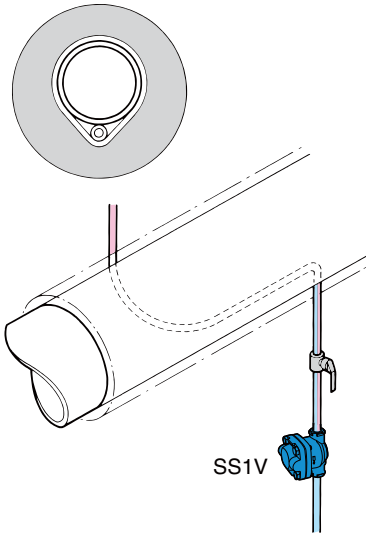
* S = Screwed, W = Socket welded, F = Flanged

SS Series

Medium Pressure Small Process

Medium Temperature Drip/Tracer

Application: Tracer



SS1V

- All stainless steel traps for medium pressure.
- SS1N/V* with removable cover for inspection and maintenance.
- SS3N/V*, SS5N/V*, SS5NH/VH* with all-welded maintenance-free body.
- Recommended for superheat.

* "N" for horizontal installation, "V" for vertical installation

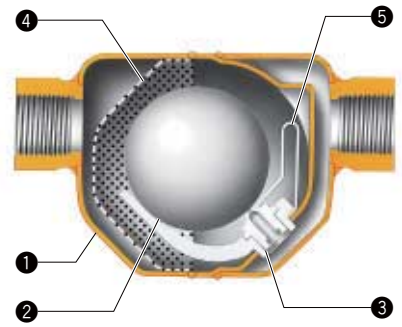
No.	Description/Material
①	Body/Stainless Steel
②	Float/Stainless Steel
③	Valve Seat/ —
④	Screen/Stainless Steel
⑤	Air Vent Strip/Bimetal
⑥	Insulation Cover (optional, not shown)



SS3V



SS1N



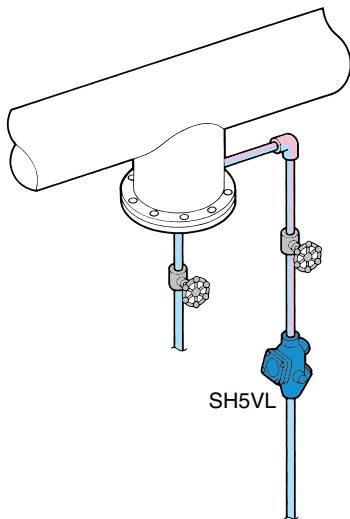
SS3N

SH Series

High Pressure Small to Medium Process

Superheat Drip/Turbine

Application: Main (Drip)

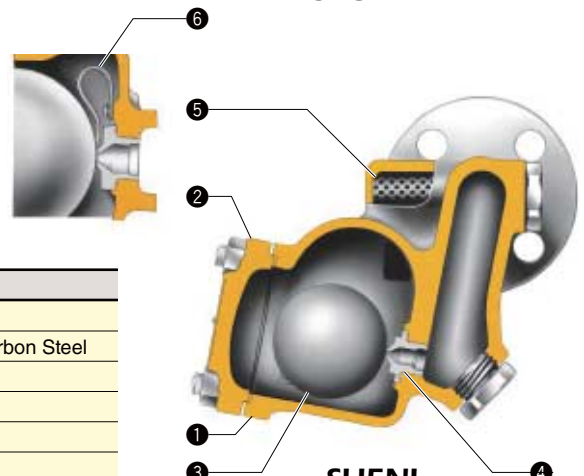


SH5VL

- Cast steel traps for high pressure.
- Steam-tight, even under low condensate flow conditions.
- SH series traps offer horizontal installation, SH5VL offers vertical installation.
- Recommended for superheat.



SH5VL



SH5NL

No.	Description/Material
①	Body/Cast Steel
②	Cover/Cast Steel or Carbon Steel
③	Float/Stainless Steel
④	Orifice/ —
⑤	Screen/Stainless Steel
⑥	Air Vent Strip/Bimetal

Model	SS1NL/VL	SS1NH/VH	SS3N/V	SS5N/V	SS5NH/VH	SH3NL	SH5VL	SH5NL	SH5NH	SH6NL	SH6NH
Connection*	S, W, F	S, W, F	S, W, F	S, W, F	S, W, F	W, F	W, F	W, F	W, F	W, F	W, F
Max. Operating Pressure (MPaG)	2.1	2.1	2.1	3.2	4.6	4.5	6.5	6.5	8.0	6.5	10
Max. Operating Temperature (°C)	220	400	400	425	425	425	425	425	425	425	425

* S = Screwed, W = Socket welded, F = Flanged

Process Float Series

J10, JH15

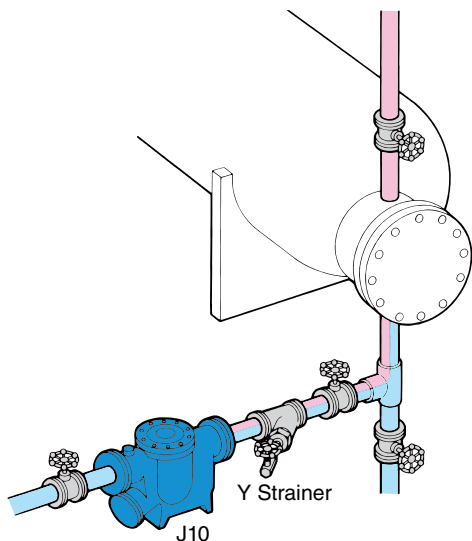
Medium-to-High Pressure

Extra Large Process

Medium-to-High Temperature

Extra Large Heater

■ Application: Large Re-Boiler



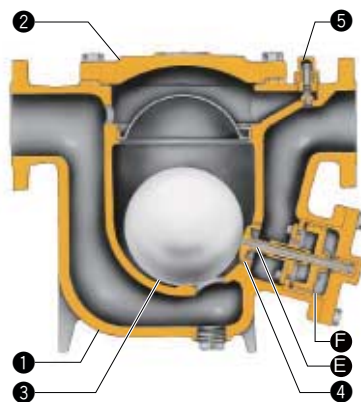
Float Dynamic Principle:

When a large quantity of condensate flows into the trap, the float rises immediately, opening the orifice (E) wide. Condensate passes through the pilot orifice at a high velocity into the control chamber (F), where the pressure increases rapidly due to flashing condensate. The rapid expansion causes a force to be exerted on the piston, opening the large orifice instantly. As condensate discharges through the main orifice at high velocity, condensate in the equipment is induced into the trap for rapid discharge.

No.	Description/Material
①	Body/Cast Iron (J10), Cast Steel (JH15)
②	Cover/Cast Iron (J10), Cast Steel (JH15)
③	Float/Stainless Steel
④	Valve Seat/ —
⑤	Air Vent/Stainless Steel



JH15



J10

JL Series

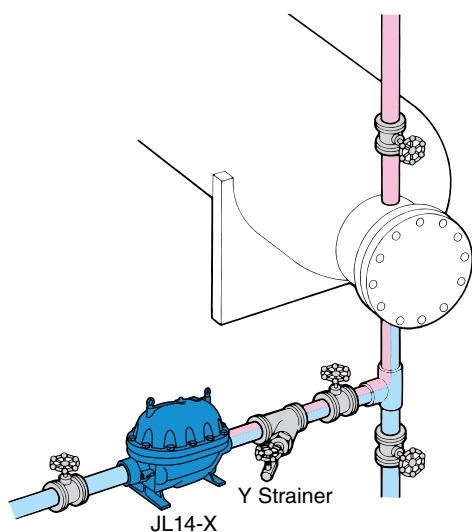
Low-to-Medium Pressure

Extra Large Process

Medium Temperature

Extra Large Heater

■ Application: Large Re-Boiler

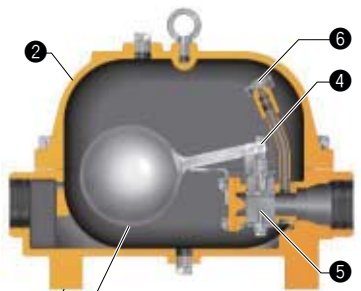


- Extremely durable, inline repairable cast iron or cast steel float trap for low-to-medium pressure.
- Automatic X-element air vent for fast start-up.
- Large double-seated valve with heat treat hardened working surfaces.
- Excellent resistance to water hammer.
- Inline inlet and outlet.

No.	Description/Material
①	Body/Cast Iron (JL9X, JL14-X) Cast Steel (JLH9X, JLH14-X)
②	Cover/Cast Iron (JL9X, JL14-X) Cast Steel (JLH9X, JLH14-X)
③	Float/Stainless Steel
④	Lever Unit/Stainless Steel
⑤	Trap Unit/Stainless Steel
⑥	X-element Air Vent/Stainless Steel



JL14-X

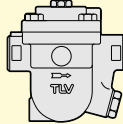
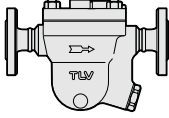
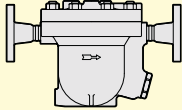
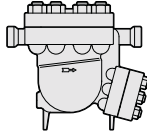
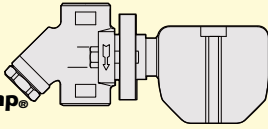
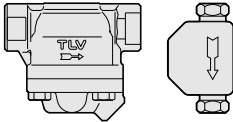
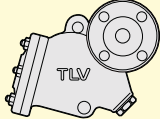
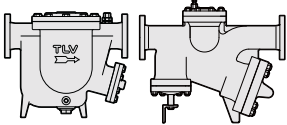
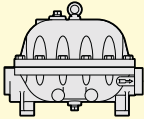


JL9X

Model	J10	JH15	JL9X	JLH9X	JL14-X	JLH14-X
Connection*	F	F	S, F	S, W, F	S, F	S, W, F
Max. Operating Pressure (MPaG)	1.6	4.6	1.6	3.2	1.6	1.8
Max. Operating Temperature (°C)	220	425	220	240	220	240

* S = Screwed, W = Socket welded, F = Flanged

Selection Guide

Model	Operating Pressure Range (MPaG)	Maximum Operating Temp (C) TMO	Maximum Operating Capacity (kg/h)	Air Venting	Body Material	Application
JX Series 	0.01 – 2.1	220	25,000	Automatic X-element	Cast Iron, Ductile Iron or Stainless Steel	Heat Exchangers Tank Heaters Coils, Dryers Unit Heaters Process Equipment
JH-X Series 	0.01 – 3.2	240	26,000	Automatic X-element	Cast Steel or Stainless Steel	Heat Exchangers Tank Heaters Coils, Dryers Unit Heaters Process Equipment
JH-B Series 	0.01 – 10	425	26,000	Automatic Bimetal	Cast Steel or Stainless Steel	Heat Exchangers Tank Heaters Coils, Dryers Process Equipment
JH7RH-P JH7RH-W 	0.01 – 12	530	445	—	Low Alloy Cast Steel	Superheated or High-Pressure Steam Mains Turbines
FS Series QuickTrap® 	0.01 – 4.6	425	670	Automatic Bimetal	Stainless Steel	Steam Mains Turbines Tracer Lines
SS Series 	0.01 – 4.6	425	800	Automatic Bimetal	Stainless Steel	Steam Mains Tracer Lines
SH Series 	0.01 – 10	425	2,000	Automatic Bimetal	Cast Steel	Superheated or High-Pressure Steam Mains Process Equipment
J10 JH15 	0.05 – 4.6	425	160,000	Manual Air Vent	Cast Iron (J10) Cast Steel (JH15)	Large Capacity Process Equipment Heat Exchangers Heaters
JL Series 	0.01 – 3.2	240	60,000	Automatic X-element	Cast Iron (JL9X/JL14-X) Cast Steel (JLH9X/JLH14-X)	Large Capacity Process Equipment Heat Exchangers Heaters

The highest figures listed may not apply to all traps within each series. Full product details (sizes, pressures, capacities and materials) are included in the individual specification data sheets (SDS). Contact TLV directly or your local representative for further information.

Special TLV Free Float traps available for: ● Biotechnology Applications ● Dowtherm ● Soot Blowing ● Air Applications



To avoid abnormal operation, accidents or serious injury, DO NOT use this product outside of the specification range. Local regulations may restrict the use of this product to below the conditions quoted.

TLV INTERNATIONAL, INC.

881 Nagasuna, Noguchi, Kakogawa, Hyogo 675-8511, JAPAN

Tel: [81]-(0)79-427-1818 Fax: [81]-(0)79-425-1167

E-mail: tlv-japan@tlv.co.jp <https://www.tlv.com>

Manufacturer

TLV CO., LTD.

Kakogawa, Japan

is approved by LRQA Ltd. to ISO 9001/14001

ISO 9001
ISO 14001

