



# BALANCED PRESSURE THERMOSTATIC STEAM TRAP

## MODEL LV13L

### BALANCED PRESSURE THERMOSTATIC STEAM TRAP WITH 'FAIL OPEN' DESIGN

#### Features

Balanced pressure thermostatic trap suitable for small process, tracing, vessels and heaters.

1. Fail "open" feature will not hold back condensate in steam space.
2. Multi-diaphragm construction for long service life.
3. Cyclic operation with fixed subcooling throughout the entire pressure range.
4. Outstanding air venting capability.
5. Compact, yet high capacity.
6. Easy to maintain and easy to clean.
7. Hardened stainless steel "flat valve" plus "cone ridge seat" ensure tight shutoff.
8. Built-in screen with large surface area.



#### Specifications

Model	LV13L
Connection	Screwed
Size (mm)	15, 20
Maximum Operating Pressure (MPaG) PMO	1.3
Minimum Operating Pressure (MPaG)	0.01
Maximum Back Pressure	90% of Inlet Pressure
Maximum Operating Temperature (°C) TMO	200
Subcooling of X-element Fill (°C)	up to 6
Type of X-Element	C6

PRESSURE SHELL DESIGN CONDITIONS (**NOT** OPERATING CONDITIONS):

Maximum Allowable Pressure (MPaG) PMA: 1.6

Maximum Allowable Temperature (°C) TMA: 220

1 MPa = 10.197 kg/cm<sup>2</sup>

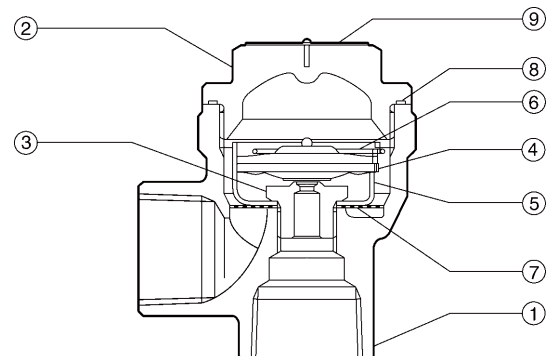


To avoid abnormal operation, accidents or serious injury, DO NOT use this product outside of the specification range. Local regulations may restrict the use of this product to below the conditions quoted.

No.	Description	Material	JIS	ASTM/AISI*
①	Body	Brass	C3771	B124 C37700
②	Cover	Brass	C3771	B124 C37700
③ <sup>R</sup>	Valve Seat	Stainless Steel	SUS420F	AISI420F
④ <sup>R</sup>	X-element	Stainless Steel	—	—
⑤ <sup>R</sup>	X-element Guide	Stainless Steel	SUS304	AISI304
⑥ <sup>R</sup>	Spring Clip	Stainless Steel	SUS304	AISI304
⑦ <sup>R</sup>	Screen	Stainless Steel	SUS304	AISI304
⑧ <sup>R</sup>	Cover Gasket	Fluorine Resin	PTFE	PTFE
⑨	Nameplate	Stainless Steel	SUS304	AISI304

\* Equivalent

Replacement kits available: (R) repair parts



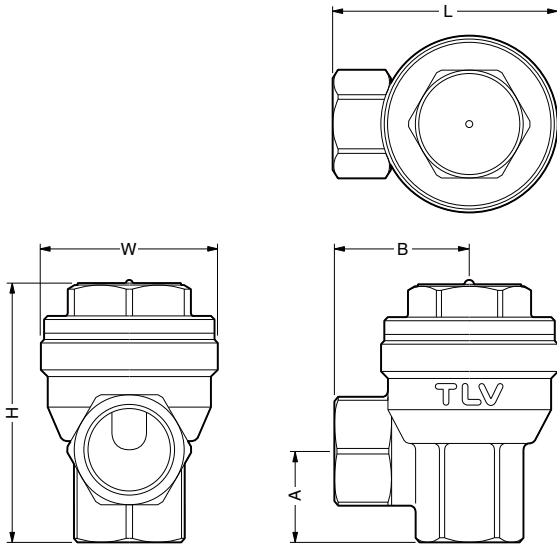
**Dimensions**

● **LV13L** Screwed

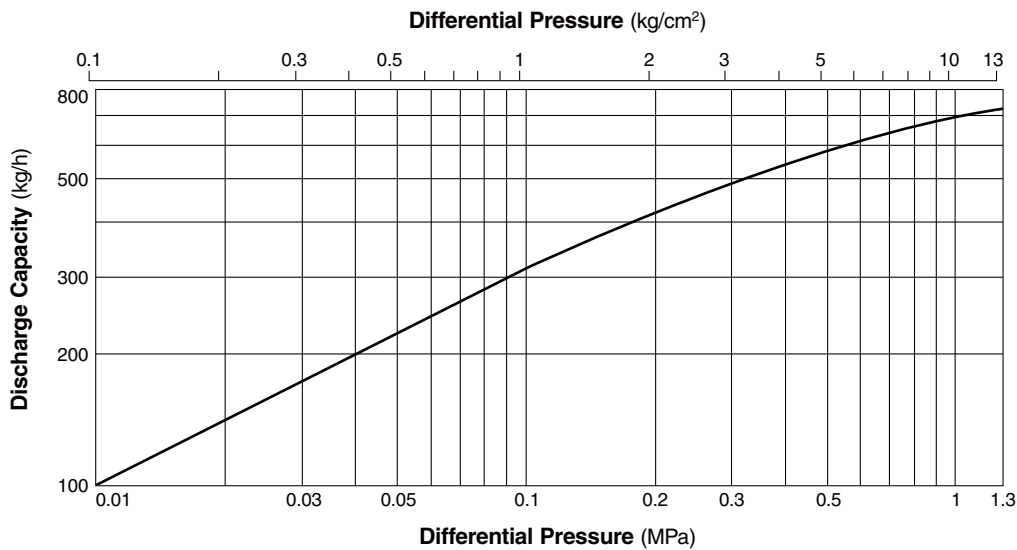
**LV13L** Screwed\* (mm)

Size	L	H	φW	A	B	Weight (kg)
15	64	70	52	20	38	0.5
20	66	77		27	40	

\* Rc (PT), other standards available



**Discharge Capacity**



1. Differential pressure is the difference between the inlet and outlet pressure of the trap.
2. Recommended safety factor: at least 2.

Manufacturer  
**TLV** CO., LTD.  
 Kakogawa, Japan  
 is approved by LRQA Ltd. to ISO 9001/14001

