



WAFER-TYPE BALL VALVE

MODEL BV6 CARBON STEEL
STAINLESS STEEL

WAFER-TYPE BALL VALVE FOR STEAM, WATER, AIR AND OTHER FLUIDS

Features

Wafer-type ball valve with full bore for steam, water, air and other fluids*.

1. Triple seal blow-out proof stem.
2. Ball seats made out of heat-resistant PTFE/graphite.
3. Maintenance-free.
4. Easy to operate.
5. "Fire safe" design acc. to BS 6755, API 607, API 6FA.
6. Connection with actuators acc. to ISO 5211 possible.

* Do not use for toxic, flammable or otherwise hazardous fluids.



Pressure Equipment Directive (PED)

Classification according to PED 2014/68/EU, fluid group 2

Size	Category	CE marking
DN 15 to 25	—*	Art. 4, Sec. 3 (sound engineering practice), CE marking not allowed
DN 32 to 100	I	with CE marking and Declaration of Conformity

* Manufactured in accordance with sound engineering practice

Specifications

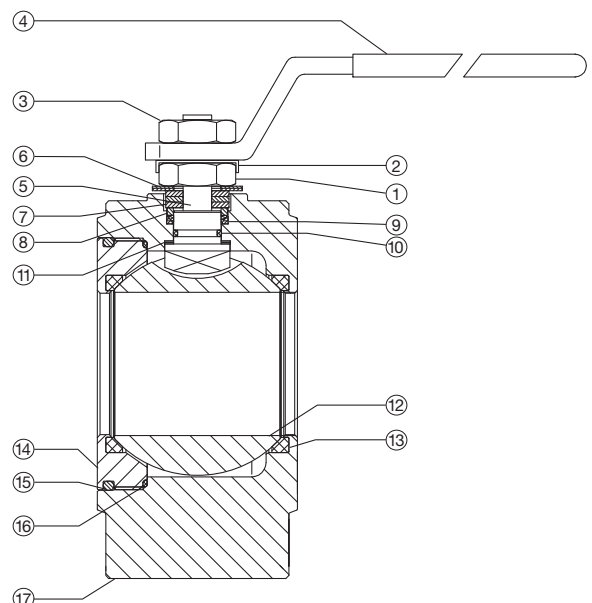
Model	BV6S	BV6E
Body Material	Carbon Steel A105 (C22.8)	Stainless Steel AISI316 (1.4401)
Connection	Between Flanges	
Size	DN 15 - 100	
Maximum Operating Pressure (barg)	PMO	9
Maximum Operating Temperature (°C)	TMO	180

1 bar = 0.1 MPa



To avoid abnormal operation, accidents or serious injury, DO NOT use this product outside of the specification range. Local regulations may restrict the use of this product to below the conditions quoted.

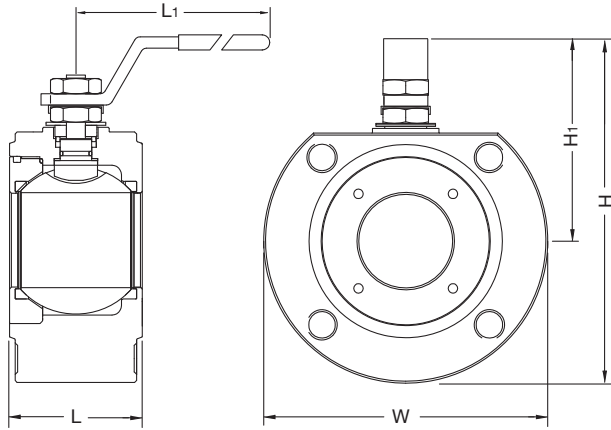
No.	Description*	Material	DIN**
①	Stem Retaining Nut	CS Carbon Steel	—
		SS Stainless Steel AISI304	1.4301
②	Fixing Nut Plate	Stainless Steel AISI304	1.4301
③	Locking Nut	CS Carbon Steel	—
		SS Stainless Steel AISI304	1.4301
④	Lever Handle	CS Carbon Steel	—
		SS Stainless Steel AISI304	1.4301
⑤	Stem	CS Stainless Steel AISI304	1.4301
		SS Stainless Steel AISI316	1.4401
⑥	Spring Washer	CS Carbon Steel 50CrV4	—
		SS Stainless Steel AISI301	1.4310
⑦	Stopper	CS (DN 15 - 50) & SS Stainless Steel AISI304	1.4301
		CS DN 65 - 100	Carbon Steel
⑧	Stem Packing	Stainless Steel AISI304	1.4301
⑨	Packing Washer	Carbon fiber-filled PTFE	—
⑩	O-ring	Fluoroelastomer	—
⑪	Thrust Washer	Carbon fiber-filled PTFE	—
⑫	Ball	CS (DN 15 - 32) & SS Stainless Steel AISI316	1.4401
		CS DN 40 - 100	Stainless Steel AISI304
⑬	Ball Seat	Carbon fiber-filled PTFE	—
⑭	Body Cover	CS Carbon Steel A105	1.0460
		SS Stainless Steel AISI316	1.4401
⑮	Static O-ring	Nitrile Rubber NBR	NBR
⑯	Static Gasket	Carbon fiber-filled PTFE	—
⑰	Body	CS Carbon Steel A105	1.0460
		SS Stainless Steel AISI316	1.4401



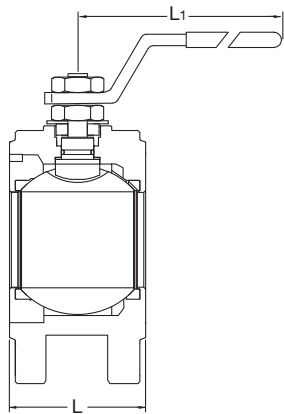
* CS = Carbon steel model BV6S, SS = Stainless steel model BV6E
** Equivalent materials

Dimensions

● **BV6** Flangeless



BV6S (Carbon Steel), DN 15 - 100
 BV6E (Stainless Steel), DN 15 - 50



BV6E (Stainless Steel), DN 65 - 100

BV6 Flangeless (mm)

DN	L		H	H ₁	L ₁	W	Bolt Holes	Weight* (kg)
	DIN 2501	PN 16						
15	35		110	65	140	90	M12 × 4	1.3
20	38		120	70	140	100	M12 × 4	1.8
25	43		137	82	180	110	M12 × 4	2.5
32	54		150	85	180	130	M16 × 4	4.3
40	60		172 [177]	102	230	140 [150]	M16 × 4	5.5
50	70		185 [192.5]	110	230	150 [165]	M16 × 4	7.3
65	95		225 [230]	137.5	333	175 [185]	M16 × 4	15
80	122		245 [250]	150	333	190 [200]	M16 × 8	21
100	140		275	165	370	220	M16 × 8	32

[] BV6E (Stainless Steel)

* Weight is for BV6S (Carbon Steel model)

Cv & Kvs Values

DN	15	20	25	32	40	50	65	80	100
Kvs	20	60	100	130	170	280	510	770	1200
Cv (UK)	19	58	97	126	165	272	496	748	1166
Cv (US)	23	70	117	152	198	327	595	899	1400