

# TLV<sup>®</sup>

## STEAM & CONDENSATE MANIFOLDS

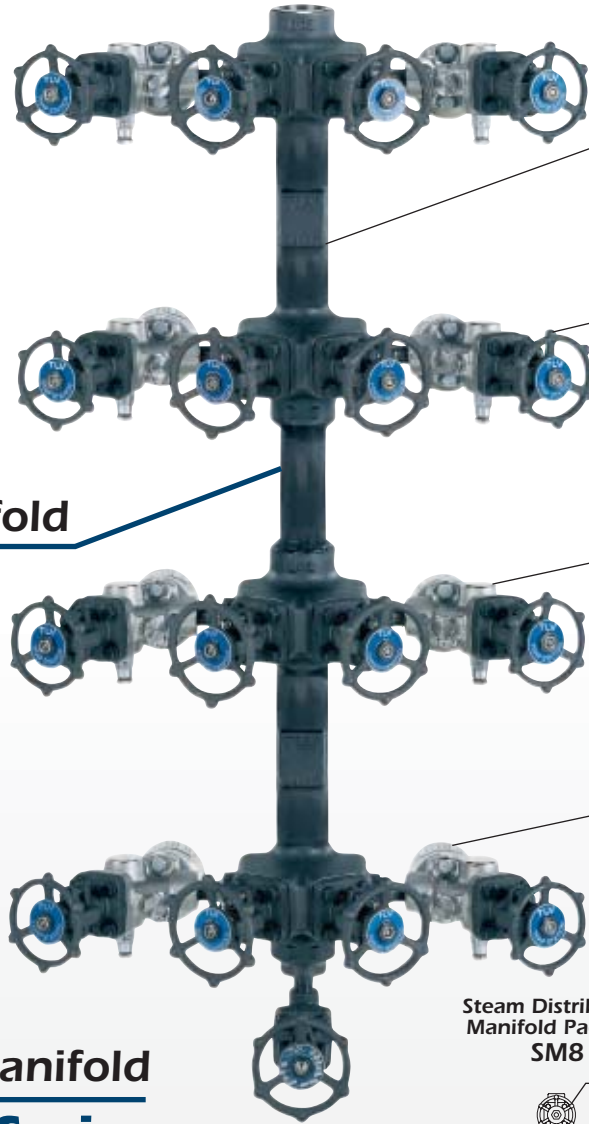
**SM Series**  
**CM Series**





# Streamline Your

A typical plant employs countless steam supply and condensate recovery lines with huge numbers of valves and steam traps. Utilize the rugged, compact and versatile design of TLV's all-in-one packages for steam distribution and condensate collection to simplify and rationalize the control of your steam system.



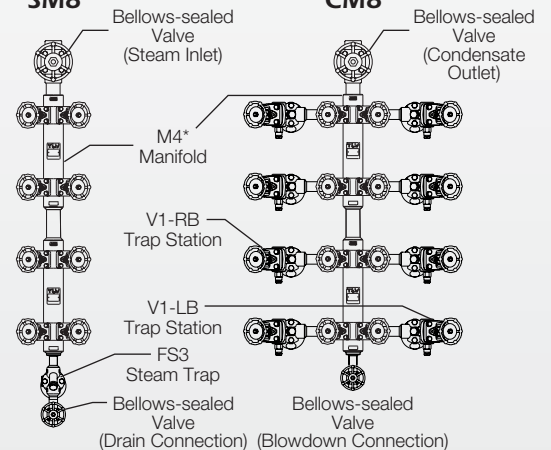
**Condensate Manifold  
CM Series**

**Steam Manifold  
SM Series**



**Steam Distribution  
Manifold Package  
SM8**

**Condensate Collection  
Manifold Package  
CM8**



## Product lineup

Manifold Package		Branches	PMO (barg)	TMO (°C)
Steam Manifolds	SM4	4-way	50	400
	SM8	8-way		
	SM12	12-way		
Condensate Manifolds	CM4	4-way		
	CM8	8-way		
	CM12	12-way		

\* M4 is the basic manifold; SM and CM are the manifold packages combining one or more M4 units with steam traps and valves. For further information please see Specification Data Sheet (SDS) M4/SM/CM.

Note: Connection types/sizes and pressure/temperature ratings for the SM and CM manifold packages will vary depending on the valves and steam traps installed.

# TLV Steam Line

## Features



### Durable - Forged Steel Body

- TLV Manifolds are constructed with a forged steel body for high endurance and an extremely long service life, minimizing maintenance and replacement costs.



### No Gland Leak - Bellows Sealed Valve

- Conserves energy by eliminating gland leaks.
- Improves working environment by removing steam clouds.
- Enjoys a long service life through the utilization of stellite-hardened surfaces on valve plug and valve seat.



### Easy Trap Replacement - Trap Station

- Allows easy removal and replacement of steam traps with only 2 bolts, greatly reducing maintenance time and labour costs.
- Traps can be removed and replaced without disturbing piping.
- Built-in blow valve and strainer reduces scale build up.

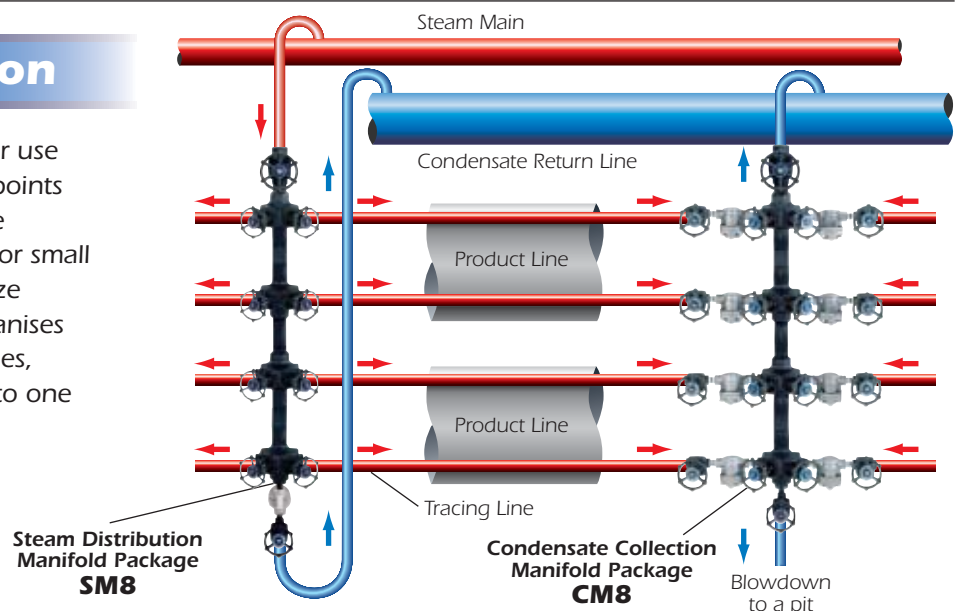


### Choice of Steam Trap - QuickTrap®

- Freely choose from 3 different types of steam trap - free float, disc or thermostatic type - depending on the application requirements. (See back page for further information.)

## Typical Application

TLV manifold packages are ideal for use in areas where steam distribution points or condensate collection points are gathered, e.g. tube tracing (right) or small equipment piping. The compact size reduces installation space and organises different steam and condensate lines, steam traps and isolation valves into one manageable package.



## Trap Stations - V1/V2



V1 Series is for use with condensate manifolds.  
V2 Series is for independent use on applications with limited installation space.

MODEL	V1-RB	V1-LB	V2-RB	V2-LB
Station Picture				
Flow Diagram				
Flow Direction	Right	Left	Right	Left
Inlet Valve	✓	✓	✓	✓
Outlet Valve	—	—	✓	✓
Trap Inlet Blowdown Valve	✓	✓	✓	✓
Trap Outlet Blowdown Valve	—	—	✓	✓
Maximum Operating Pressure (barg) PMO	46*			
Maximum Operating Temperature (°C) TMO	425*			

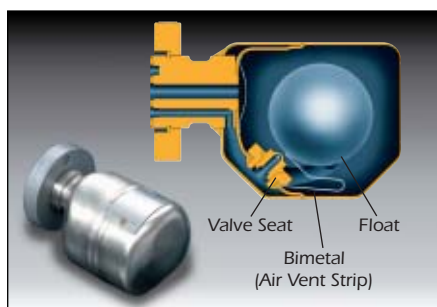
Please see Specification Data Sheet (SDS) V1/V2 for further details.

\* Pressure/temperature ratings will vary depending on the steam traps installed.

## QuickTrap® - Steam Trap Units

### Free Float Steam Trap

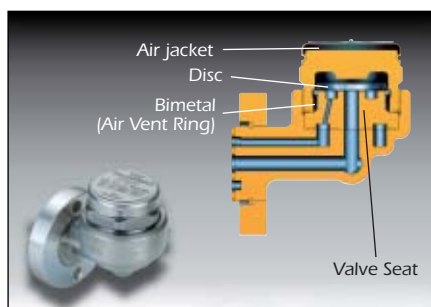
- Free float ensures rapid removal of condensate
- Unique 3-point seating provides tight shutoff
- Bimetal vent for rapid removal of air at startup



Model*	S3	S5	S5H
PMO (barg)	21	32	46
TMO (°C)	400	400	425
Max. Discharge Capacity** (kg/h)	215	670	245

### Thermodynamic Steam Trap

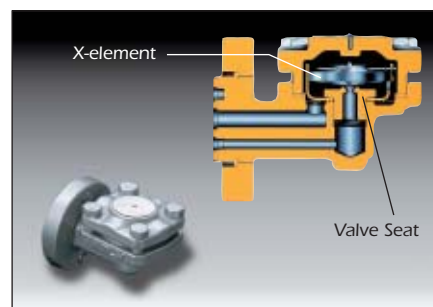
- Rugged thermodynamic principle for arduous conditions
- Air-jacketed cap as standard prevents rapid cycling
- Bimetal vent as standard for discharge of air at startup



Model*	P46UC
PMO (barg)	46
TMO (°C)	425
Max. Discharge Capacity** (kg/h)	740

### Thermostatic Steam Trap

- Patented "Fail Open" feature of balanced pressure X-element
- Outstanding air venting capability
- X-element will continue to operate against high back pressure



Model*	L21	L32
PMO (barg)	21	32
TMO (°C)	235	240
Max. Discharge Capacity** (kg/h)	760	530

\* For more information, see the QuickTrap Specifications Data Sheet (SDS) for the steam trap employing the desired trap unit (trap unit - QuickTrap data sheet): S3 - FS3; S5 - FS5; S5H - FS5; P46UC - FP46UC; L21 - FL21/FL32; L32 - FL21/FL32.

\*\* Actual discharge capacity will vary depending on operating conditions; see relevant SDS for details.



To avoid abnormal operation, accidents or serious injury, DO NOT use this product outside of the specification range. Local regulations may restrict the use of this product to below the conditions quoted.

## TLV® EURO ENGINEERING UK LTD.

Units 7 & 8, Furlong Business Park, Bishops Cleeve, Gloucestershire GL52 8TW, UK  
Tel: [44]- (0)1242-227223 Fax: [44]- (0)1242-223077

Manufacturer

**TLV® CO., LTD.**  
Kakogawa, Japan

is approved by LRQA Ltd. to ISO 9001/14001

ISO 9001/ISO 14001

