



CHECK VALVE

MODEL CK3MG STAINLESS STEEL

HIGH-CAPACITY DISK TYPE CHECK VALVE WITH CENTER GUIDED VALVE DISC

Features

All stainless steel check valve for steam, water and other liquid services.

1. Fine-machined metal valve seat provides tight closure.
2. Stainless steel body and internal parts ensure long service life.
3. Smooth movement of the center guided valve disc further increases durability.
4. Low pressure drop due to large flow area.
5. Performance assured with installation in either horizontal or vertical pipelines.



Specifications

| | | |
|---|-----|----------------------------------|
| Model | | CK3MG |
| Connection | | Screwed |
| Size | | 1", 1½", 2", 3" |
| Maximum Operating Pressure (barg) | PMO | 21 |
| Minimum Opening Differential Pressure (bar) | | 0.01 |
| Maximum Operating Temperature (°C) | TMO | 220 |
| Minimum Operating Temperature (°C) | | -100* |
| Application | | Steam, water and other liquids** |

* Subject to limitations of freezing point of fluid

** Do not use for toxic, flammable or otherwise hazardous fluids

1 bar = 0.1 MPa

PRESSURE SHELL DESIGN CONDITIONS (**NOT** OPERATING CONDITIONS): Maximum Allowable Pressure (barg) PMA: 32
Maximum Allowable Temperature (°C) TMA: 220

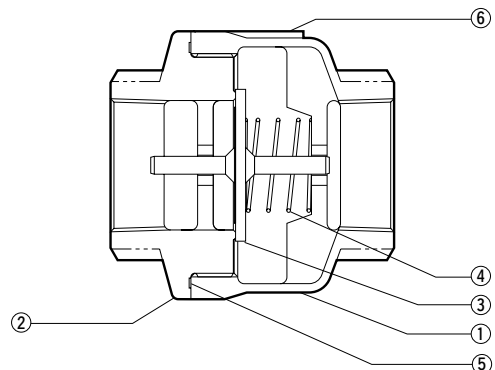


CAUTION

To avoid abnormal operation, accidents or serious injury, DO NOT use this product outside of the specification range. Local regulations may restrict the use of this product to below the conditions quoted.

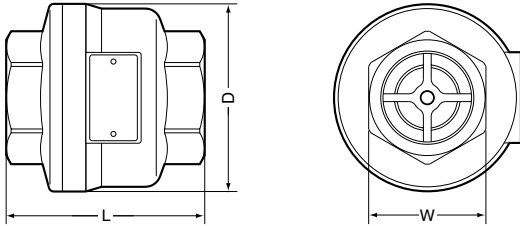
| No. | Description | Material | DIN* | ASTM/AISI* |
|-----|--------------|----------------------------------|--------|------------|
| ① | Valve Body | Cast Stainless Steel A351 Gr.CF8 | 1.4312 | — |
| ② | Inlet Union | Cast Stainless Steel A351 Gr.CF8 | 1.4312 | — |
| ③ | Valve Disc | Stainless Steel SUS304 | 1.4301 | AISI304 |
| ④ | Coil Spring | Stainless Steel SUS304 | 1.4301 | AISI304 |
| ⑤ | Union Gasket | Fluorine Resin PTFE | PTFE | PTFE |
| ⑥ | Nameplate | Stainless Steel SUS304 | 1.4301 | AISI304 |

* Equivalent materials



Dimensions

● **CK3MG** Screwed



CK3MG Screwed* (mm)

| Size | L | φ D | W | Weight (kg) |
|------|-----|-----|-----|-------------|
| 1" | 84 | 70 | 41 | 1.0 |
| 1½" | 122 | 102 | 60 | 2.6 |
| 2" | 127 | 120 | 75 | 3.7 |
| 3" | 171 | 151 | 100 | 5.5 |

* BSP DIN 2999, other standards available

Cv & Kvs Values

| Size | 1" | 1½" | 2" | 3" |
|-----------|----|-----|----|-----|
| Kvs (DIN) | 21 | 47 | 78 | 154 |
| Cv (UK) | 21 | 46 | 76 | 150 |
| Cv (US) | 25 | 55 | 91 | 180 |

Manufacturer

ISO 9001/ISO 14001

TLV CO., LTD.
Kakogawa, Japan

is approved by LRQA Ltd. to ISO 9001/14001

