



# THERMOSTATIC AIR VENT FOR STEAM

## MODEL LA21 STAINLESS STEEL

### ALL STAINLESS STEEL THERMOSTATIC AIR VENT

#### Features

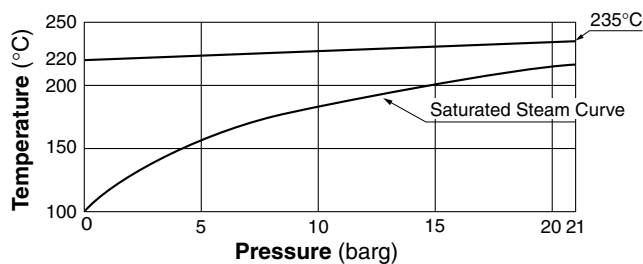
Compact all stainless steel air vent for vertical installation in steam systems.

1. Vents air automatically until close-to-steam temperature.
2. Compact yet with high capacity.
3. Reacts immediately to changes in operating conditions.
4. Withstands superheat and water hammer.
5. Easy to maintain and easy to clean.
6. Hardened stainless steel valve seat.
7. Tight shut-off.



#### Specifications

Model	LA21
Connection	Screwed
Size	1/2"
Maximum Operating Pressure (barg) PMO	21
Minimum Operating Pressure (barg)	0.1
Maximum Operating Temperature (°C) TMO	see graph at right
Subcooling of X-element Fill (°C)	up to 22
Type of X-element	T



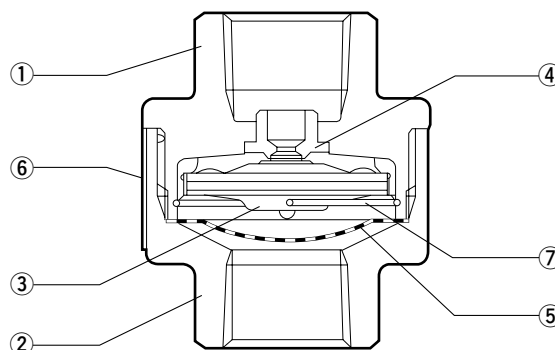
1 bar = 0.1 MPa

PRESSURE SHELL DESIGN CONDITIONS (NOT OPERATING CONDITIONS):  
 Maximum Allowable Pressure (barg) PMA: 63  
 Maximum Allowable Temperature (°C) TMA: 425

**CAUTION** To avoid abnormal operation, accidents or serious injury, DO NOT use this product outside of the specification range. Local regulations may restrict the use of this product to below the conditions quoted.

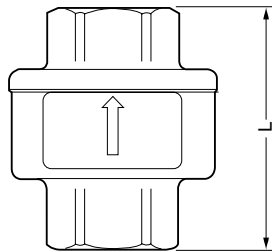
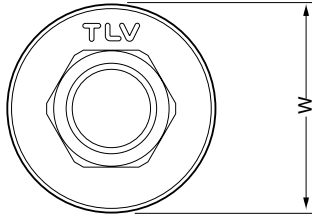
	Description	Material	DIN*	ASTM/AISI*
①	Body Upper Part	Stainless Steel A351 Gr.CF8	1.4312	—
②	Body Lower Part	Stainless Steel A351 Gr.CF8	1.4312	—
③	X-element	Stainless Steel	—	—
④	Valve Seat	Stainless Steel SUS630	1.4542	AISI630
⑤	Screen	Stainless Steel SUS304	1.4301	AISI304
⑥	Nameplate	Stainless Steel SUS304	1.4301	AISI304
⑦	Spring Clip	Stainless Steel SUS304	1.4301	AISI304

\* Equivalent materials



**Dimensions**

● **LA21** Screwed

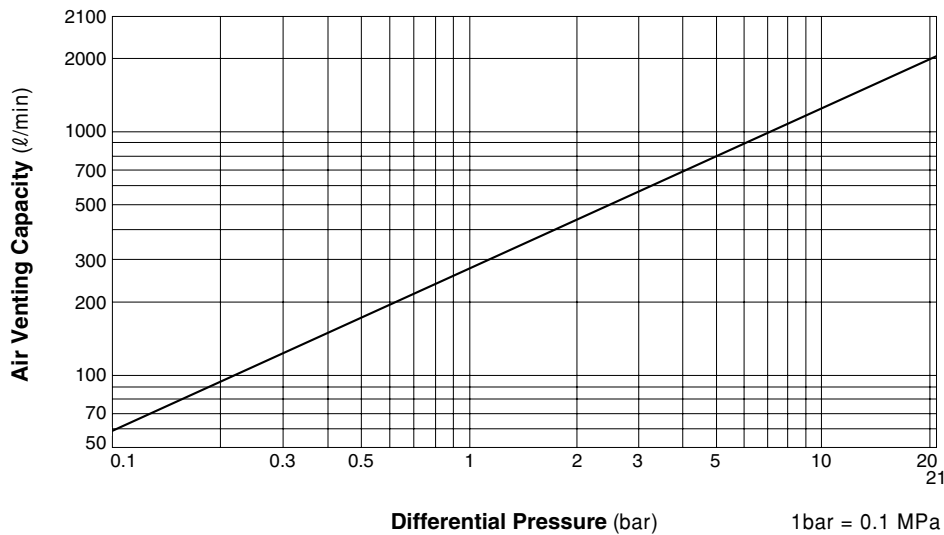


**LA21** Screwed\* (mm)

Size	L	φ W	Weight (kg)
1/2"	55	47	0.4

\* BSP, DIN 2999, other standards available

**Air Venting Capacity**



1. Differential Pressure is the difference between the inlet and outlet pressure of the air vent.
2. Capacities are equivalent capacities of standard air (air at 20°C and atmospheric pressure).

Manufacturer

ISO 9001/ISO 14001

**TLV** CO., LTD.  
Kakogawa, Japan

is approved by LRQA Ltd. to ISO 9001/14001

