



# FREE FLOAT AIR TRAP

## MODEL JAH5

### Features

**Free float cast steel air trap for high pressure to automatically drain condensate and oil from compressed air systems.**

1. Self-modulating free float provides soft, continuous, and smooth, low velocity discharge as process loads vary.
2. Perfect air tight seal, even under no-load conditions.
3. Only one moving part, the free float, eliminates concentrated valve wear and provides long maintenance-free service life.
4. Built-in screen with large surface area ensures extended trouble-free service.
5. Major internal parts made of stainless steel.
6. Inline access to internal parts simplifies cleaning and reduces maintenance costs.



### Specifications

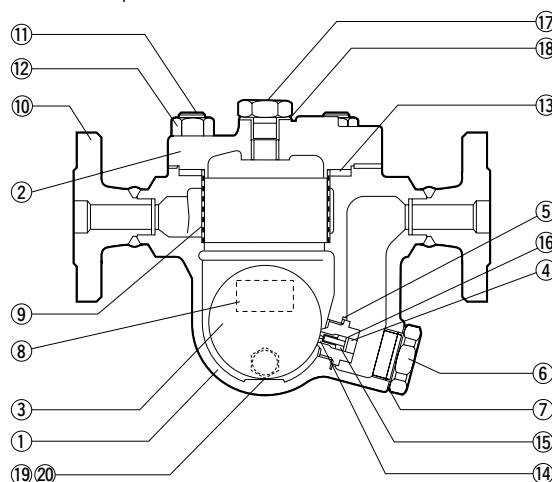
Model	JAH5	JAHW5	JAH5
Connection	Screwed	Socket Welded	Flanged
Size (mm)	15, 20, 25		
Orifice No.	16, 20, 30, 40, 45		
Maximum Operating Pressure (MPaG) PMO	1.6, 2.0, 3.0, 4.0, 4.5		
Maximum Differential Pressure (MPa) ΔPMX	1.6, 2.0, 3.0, 4.0, 4.5		
Maximum Operating Temperature (°C) TMO	100		

PRESSURE SHELL DESIGN CONDITIONS (NOT OPERATING CONDITIONS): Maximum Allowable Pressure (MPaG) PMA: 4.6 1 MPa = 10.197 kg/cm<sup>2</sup>  
Maximum Allowable Temperature (°C) TMA: 425



To avoid abnormal operation, accidents or serious injury, DO NOT use this product outside of the specification range.  
Local regulations may restrict the use of this product to below the conditions quoted.

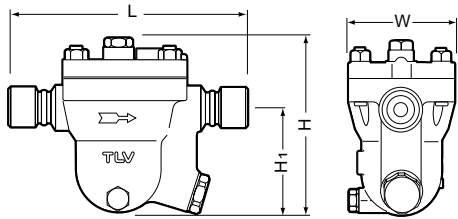
No.	Description	Material	JIS	ASTM/AISI*
①	Body	Cast Steel	—	A216 Gr. WCB
②	Cover	Carbon Steel	—	A105
③	Float	Stainless Steel	SUS316L	AISI316L
④	Valve Seat Holder	Stainless Steel	SUS420F	AISI420F
⑤	Valve Seat Gasket	Soft Iron	SUYP	AISI1010
⑥	Valve Seat Plug	Stainless Steel	SCS2A	A743 CA40
⑦	Plug Gasket	Soft Iron	SUYP	AISI1010
⑧	Nameplate	Stainless Steel	SUS304	AISI304
⑨	Screen	Stainless Steel	SUS430	AISI430
⑩	Socket*** Flange	Carbon Steel Forged Steel**	S25C —	AISI1025 A105/216 Gr. WCB
⑪	Cover Bolt	Alloy Steel	SNB16	A193-B16
⑫	Cover Nut	Carbon Steel	S45C	AISI1045
⑬	Cover Gasket	Stainl. St./Graphite	SUS304	AISI304
⑭	Valve Seat	Synthetic Rubber	NBR	NBR
⑮	Valve Seat Bushing	Stainless Steel	SUS303	AISI303
⑯	Snap Ring	Stainless Steel	SUS304	AISI304
⑰	Balancing Line Plug	Carbon Steel	S25C	AISI1025
⑱	Plug Gasket	Soft Iron	SUYP	AISI1010
⑲	Drain Plug Gasket	Carbon Steel	SS400	A6
⑳	Drain Plug	Carbon Steel	S25C	AISI1025



\* Equivalent \*\* Material depends on flange specifications  
\*\*\* Shown on reverse

**Dimensions**

● **JAHS5** Screwed

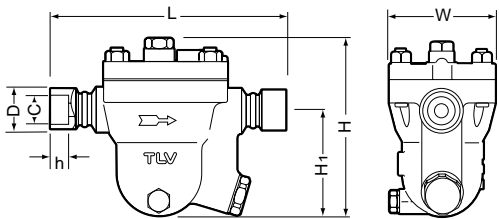


**JAHS5** Screwed\* (mm)

Size	L	H	H <sub>1</sub>	W	Weight (kg)
15	250	176	106	115	9.0
20	250				9.2
25	250				9.3

\* Rc(PT) other standards available

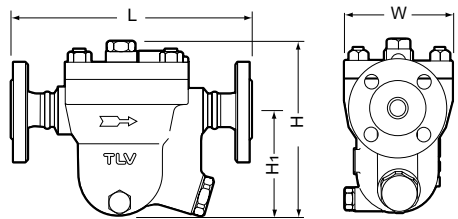
● **JAHW5** Socket Welded



**JAHW5** Socket Welded (mm)

Size	φD	φC	h	L	H	H <sub>1</sub>	W	Weight (kg)
15	34	22.2	12	250	176	106	115	9.0
20	40	27.7	14	250				9.2
25	49	34.5	250	9.3				

● **JAH5** Flanged



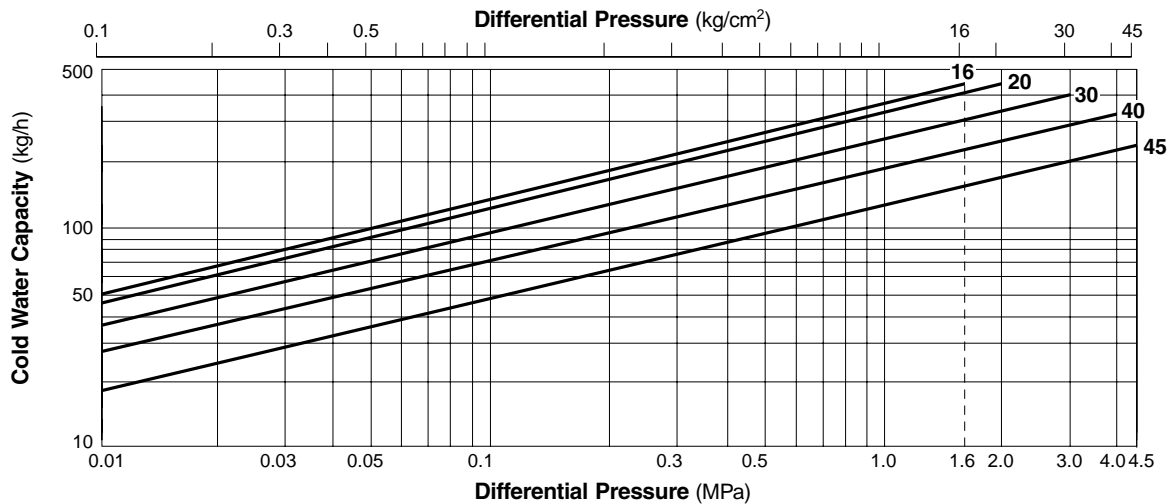
**JAH5** Flanged\* (mm)

Size	L (ASME Class)			H	H <sub>1</sub>	W	Weight (approx. kg)
	150RF	300RF	600RF				
15	250	250	250	176	106	115	9.1
20							9.5
25							11

\* Other standards available, but length and weight may vary

NOTE: A pressure-balancing line must be connected to the air system from the balancing port at the top of the trap to a place above any possible condensate accumulation in the system.

**Discharge Capacity**



1. Line numbers within the graph refer to orifice numbers.
2. Differential pressure is the difference between the inlet and outlet pressure of the trap.
3. The chart is applicable to condensate below 80°C.
4. The discharge capacity is for a liquid with specific gravity of 1.
5. Recommended safety factor: at least 1.5.



DO NOT use traps under conditions that exceed maximum differential pressure as condensate backup will occur!

Manufacturer

ISO 9001/ISO 14001

**TLV**® CO., LTD.  
Kakogawa, Japan

is approved by LRQA Ltd. to ISO 9001/14001

