



FLOAT DYNAMIC STEAM TRAP

MODEL JH10

Features

High pressure, inline maintainable, free float pilot operated steam trap capable of discharging high condensate flow rates. Suitable for large process heat exchangers.

1. Free Float pilot mechanism ensures continuous discharge without condensate backup.
2. Well-proven piston valve opens smoothly to discharge high condensate flow rates.
3. "Steam cushion" prevents slamming of main valve onto seat.
4. All internal parts are easily accessible without having to remove the trap from the line.
5. 2 built-in screens with large screening area for maximum protection.

Specifications

Model	JH10
Connection	Flanged
Size (mm)	100
Max. Operating Pressure (MPaG) PMO	4.5
Min. Operating Pressure (MPa)	0.2
Max. Operating Temperature (°C) TMO	350

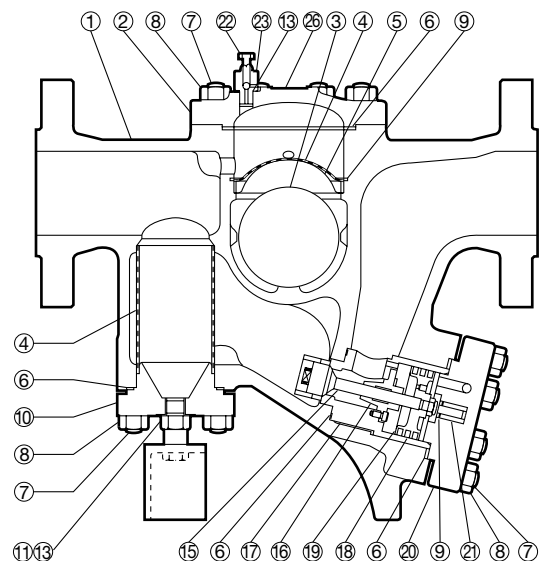
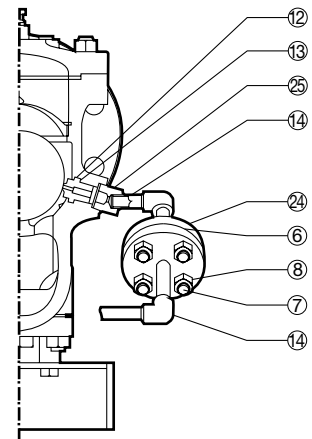
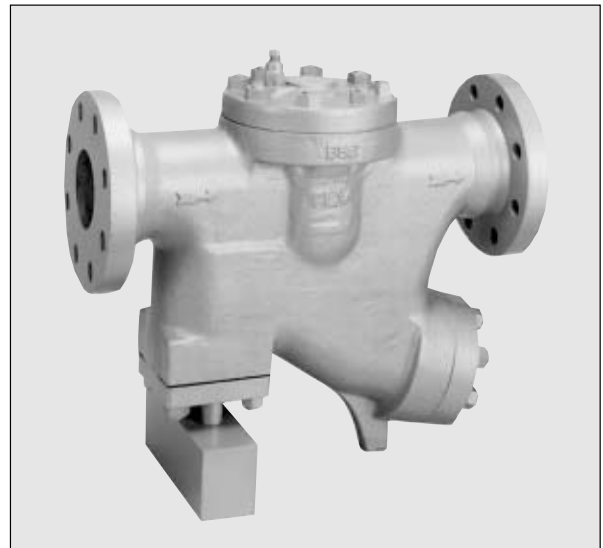
1 MPa = 10.197 kg/cm²

PRESSURE SHELL DESIGN CONDITIONS (NOT OPERATING CONDITIONS):
 Maximum Allowable Pressure (MPaG) PMA: 5.0
 Maximum Allowable Temperature (°C) TMA: 425

CAUTION To avoid abnormal operation, accidents or serious injury, do not use this product outside of the specification range. Local regulations may restrict the use of this product to below the conditions quoted.

No.	Description	Material	JIS	ASTM/AISI*
①	Body	Cast Steel	SCPH2	A216 Gr. WCB
②	Cover	Cast Steel	SCPH2	A216 Gr. WCB
③	Float	Stainless Steel	SUS316L	AISI316L
④	Screen	Stainless Steel	SUS430	AISI430
⑤	Screen Holder	Stainless Steel	SUS304	AISI304
⑥	Gasket	Stainl. Stl./Graphite	SUS304	AISI304
⑦	Bolt	Alloy Steel	SNB16	A193 Gr. B16
⑧	Hexagon Nut	Carbon Steel	S45C	AISH1045
⑨	Snap Ring	Stainless Steel	SUS304	AISI1304
⑩	Screen Cover	Carbon Steel	—	A105
⑪	Drain Plug	Carbon Steel	S28C	A105
⑫	Orifice	Stainless Steel	SUS420F	AISI420F
⑬	Gasket	Soft Iron	SUYP	AISI1010
⑭	Connector Pipe	Stainless Steel	SUS304	AISI304
⑮	Main Valve	Stainless Steel	SUS440C	AISI440C
⑯	Valve Guide	Stainless Steel	SUS420F	AISI420F
⑰	Cylinder	Stainless Steel	SUS440C	AISI440C
⑱	Piston Ring	Carbon Compound	—	—
⑲	Piston	Stainless Steel	SUS303	AISI303
⑳	Valve Cover	Carbon Steel	—	A105
㉑	Sleeve	Stainless Steel	SUS420F	AISI420F
㉒	Air Valve	Stainless Steel	SUS304	AISI304
㉓	Air Valve Body	Stainless Steel	SUS303	AISI303
㉔	Flange	Stainless Steel	SUS304	AISI304
㉕	Socket	Stainless Steel	SUS303	AISI303
㉖	Nameplate	Stainless Steel	SUS304	AISI304

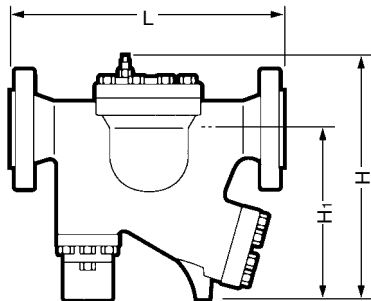
* Equivalent



Copyright © TLV

Dimensions

● JH10 Flanged

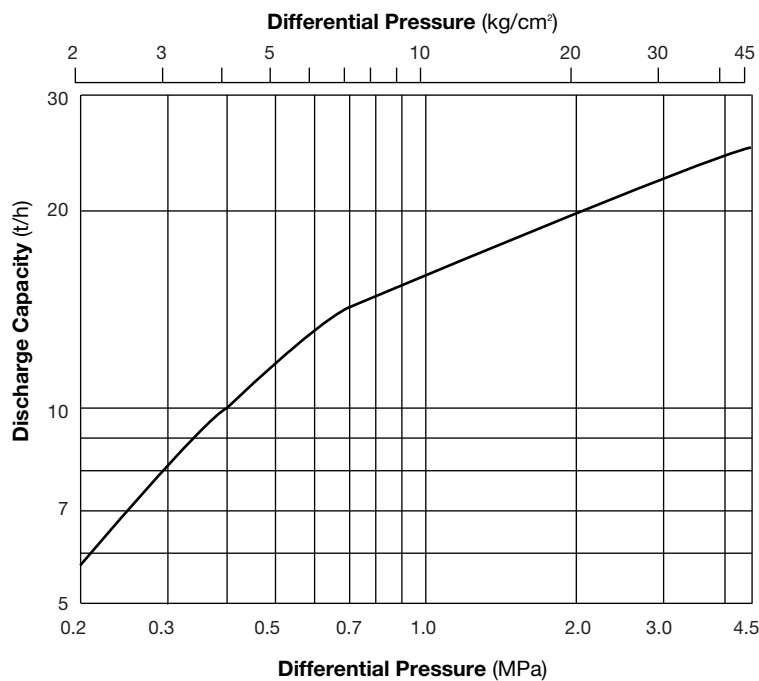


JH10 Flanged* (mm)

Size	L (ASME Class)		H	H ₁	Weight (approx. kg)
	300RF	600RF			
100	600	600	570	395	145

* Other standards available, but length and weight may vary

Discharge Capacity



1. Capacities are based on continuous discharge of condensate 6 °C below saturated steam temperature.
2. Differential pressure is the difference between the inlet and outlet pressure of the trap.
3. Recommended safety factor: at least 1.5.



DO NOT use traps under conditions that exceed maximum differential pressure as condensate backup will occur!

Manufacturer
TLV® CO., LTD.
 Kakogawa, Japan
is approved by LRQA Ltd. to ISO 9001/14001

ISO 9001/ISO 14001

