



FREE FLOAT STEAM TRAP

MODEL JH7

HIGH PRESSURE FREE FLOAT STEAM TRAP WITH AIR VENT VALVE

Features

A reliable and durable cast steel free float steam trap with tight shut-off for use on medium-size process equipment.

1. Self-modulating free float provides continuous, smooth, low velocity condensate discharge as process loads vary.
2. Constant water seal design ensures steam-tight seal, even under low-load conditions.
3. Only one moving part, the free float, eliminates concentrated valve wear and provides long maintenance-free service life.
4. Easy-to-use air vent valve facilitates rapid start-up.
5. Easy, inline access to internal parts simplifies cleaning and reduces maintenance costs.
6. Built-in screen with large surface ensures trouble-free operation.



Specifications

Model		JHW7	JH7
Connection		Socket Welded	Flanged
Size (mm)		20, 25, 40, 50	
Orifice No.		1*, 2, 5, 10, 14, 22, 32, 40, 46, 65	
Maximum Operating Pressure (MPaG)	PMO	0.1, 0.2, 0.5, 1.0, 1.4, 2.2, 3.2, 4.0, 4.6, 6.5	
Maximum Differential Pressure (MPa)	Δ PMX	0.1, 0.2, 0.5, 1.0, 1.4, 2.2, 3.2, 4.0, 4.6, 6.5	
Maximum Operating Temperature (°C)	TMO	425	

* No. 1 orifice available only for 40 and 50 mm

1 MPa = 10.197 kg/cm²

PRESSURE SHELL DESIGN CONDITIONS (NOT OPERATING CONDITIONS): Maximum Allowable Pressure (MPaG) PMA: 6.5
Maximum Allowable Temperature (°C) TMA: 425

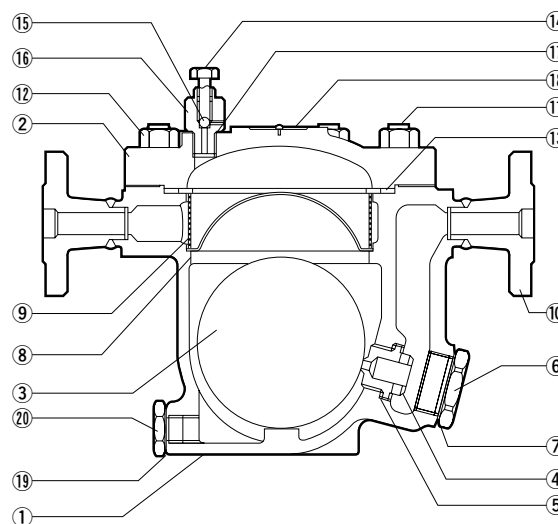


To avoid abnormal operation, accidents or serious injury, DO NOT use this product outside of the specification range. Local regulations may restrict the use of this product to below the conditions quoted.

No.	Description	Material	JIS	ASTM/AISI*
①	Body	Cast Steel	SCPH2	A216 Gr. WCB
②	Cover	Carbon Steel	S25C	A1025
③ ^F	Float	Stainless Steel	SUS316L	AISI316L
④ ^R	Orifice	Stainless Steel	SUS420F	AISI420F
⑤ ^{MR}	Orifice Gasket	Soft Iron	SUYP	AISI1010
⑥	Orifice Plug	Cast Stainless Steel	SCS13A	A351 Gr. CF8
⑦ ^{MR}	Orifice Plug Gasket	Soft Iron	SUYP	AISI1010
⑧	Screen Holder	Stainless Steel	SUS304	AISI304
⑨ ^R	Screen	Stainless Steel	SUS430	AISI430
⑩	Socket** (20, 25)	Carbon Steel	S25C	AISI1025
	Socket** (40, 50)/ Flange***	Carbon Steel	A105	A105
	Flange***	Cast Steel	A216 Gr. WCB	A216 Gr. WCB
⑪	Cover Bolt	Alloy Steel	SNB16	A193 Gr. B16
⑫	Cover Nut	Carbon Steel	S45C	AISI1045
⑬ ^{MR}	Cover Gasket	Stainl. Stl./Graphite	SUS304	AISI304
⑭ ^V	Air Vent Valve	Stainless Steel	SUS304	AISI304
⑮ ^V	Steel Ball	Stainless Steel	SUS440C	AISI440C
⑯ ^V	Air Vent Valve Body	Stainless Steel	SUS303	AISI303
⑰ ^V	Air Vent Valve Gasket	Soft Iron	SUYP	AISI1010
⑱	Nameplate	Stainless Steel	SUS304	AISI304
⑲ ^{MR}	Drain Plug Gasket	Soft Iron	SUYP	AISI1010
⑳	Drain Plug	Carbon Steel	S25C	AISI1025

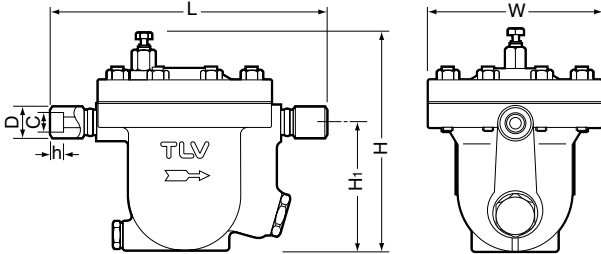
* Equivalent ** Shown overleaf *** Shape and material depend on flange specifications

Replacement kits available: (M) maintenance parts, (R) repair parts, (F) float, (V) air vent valve unit



Dimensions

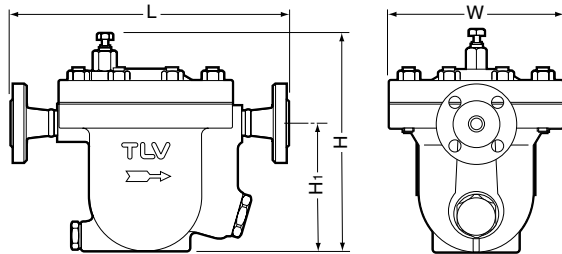
● **JHW7** Socket Welded



JHW7 Socket Welded (mm)

Size	L	H	H ₁	φ W	φ D	φ C	h	Weight(kg)
20	350	273	162	222	40	27.7	14	25
25					49	34.5		
40	336				66	49.1	17	27
50					79.5	61.1		

● **JH7** Flanged

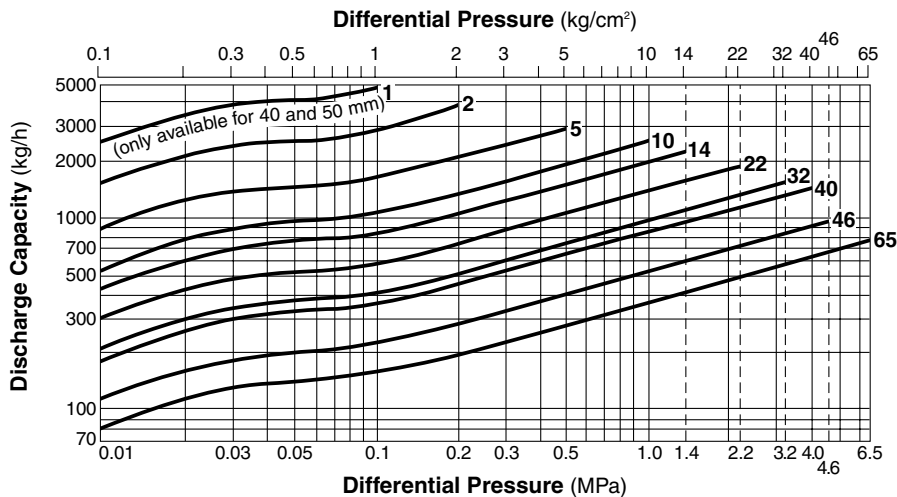


JH7 Flanged (mm)

Size	L				H	H ₁	φ W	Weight* (kg)
	ASME Class							
	150RF	300RF	600RF	900RF				
20	350	350	350	362	273	162	222	25
25				368				26
40	380	380	380	390				27
50	390	390	390	400				29

Other standards available, but length and weight may vary
* Weight is for Class 600 RF

Discharge Capacity



1. Line numbers within the graph refer to orifice numbers.
2. Differential pressure is the difference between the inlet and outlet pressure of the trap.
3. Capacities are based on continuous discharge of condensate 6 °C below saturated steam temperature.
4. Recommended safety factor: at least 1.5.
5. No.1 orifice available only for 40 and 50 mm

CAUTION DO NOT use traps under conditions which exceed maximum differential pressure, as condensate backup will occur!

Manufacturer

ISO 9001/ISO 14001

TLV® CO., LTD.
Kakogawa, Japan

is approved by LRQA Ltd. to ISO 9001/14001

