



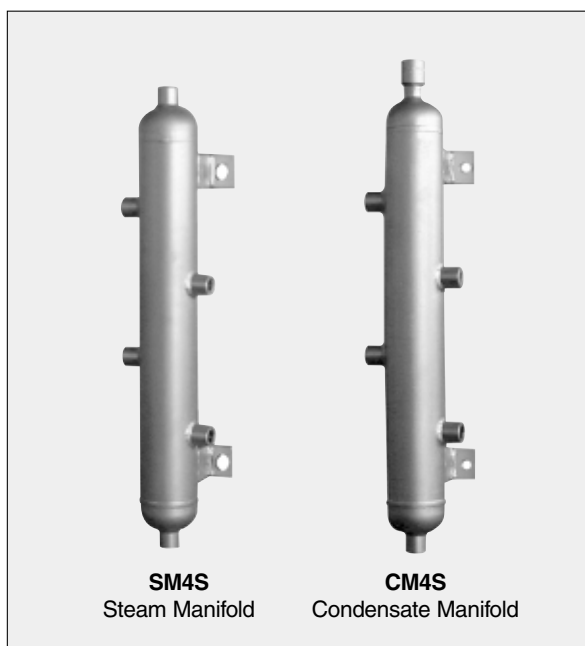
STEAM & CONDENSATE MANIFOLD

MODEL SM-S/CM-S

Features

4, 8 and 12-way steam and condensate manifolds for steam distribution and condensate recovery.

1. Rugged, compact and versatile design minimizes installation area and easily adapts to plant requirements.
2. Offset design ensures continued independent operation of individual lines.
3. Built-in blowdown and drain connections.
4. CM-S: Siphon construction prevents destructive two-phase flow into condensate return piping.
5. CM-S: Consolidation of trap locations allows lower installation heights, making traps more accessible, easier to install, isolate, test and troubleshoot.



Specifications

Model	SM4S	SM8S	SM12S	CM4S	CM8S	CM12S
Manifold Type	Steam Distribution Manifold			Condensate Collection Manifold		
Steam Inlet / Condensate Outlet Connection	40 mm Socket Welded*			15, 20 mm Socket Welded*		
Station Connection	15, 20 mm Screwed, Socket Welded**					
Drain / Blowdown Connection	20 mm Screwed					
Number of Station Connections	4	8	12	4	8	12
Maximum Operating Pressure (MPaG) PMO	4.0					
Maximum Operating Temperature (°C) TMO	350					

* Optional flanged connection also available

1 MPa = 10.197 kg/cm²

PRESSURE SHELL DESIGN CONDITIONS (NOT OPERATING CONDITIONS):

Maximum Allowable Pressure (MPaG) PMA: 4.0

Maximum Allowable Temperature (°C) TMA: 350

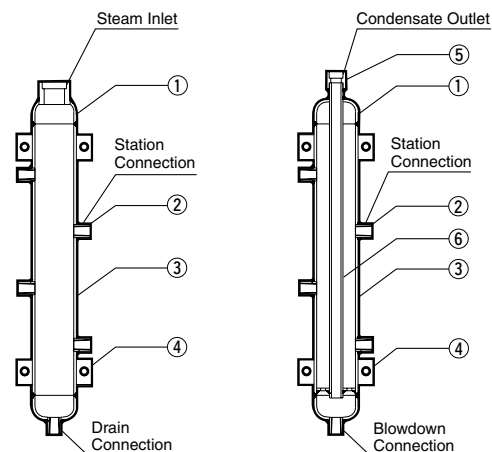


To avoid abnormal operation, accidents or serious injury, DO NOT use this product outside of the specification range. Local regulations may restrict the use of this product to below the conditions quoted.

No.	Description	Material	JIS	ASTM/AISI*
①	End Cap	Carbon Steel	STPG370	A53 Type S Gr. A
②	Station Connection	Carbon Steel	STPG370	A53 Type S Gr. A
③	Body	Carbon Steel	STPG370	A53 Type S Gr. A
④	Mounting Bracket	Carbon Steel	SS400	A283 Gr. C
⑤	Siphon Tube Ring	Carbon Steel	STPG370	A53 Type S Gr. A
⑥	Siphon Tube	Carbon Steel	STPG370	A53 Type S Gr. A

* Equivalent

Optional all stainless steel (SUS304) manifolds also available

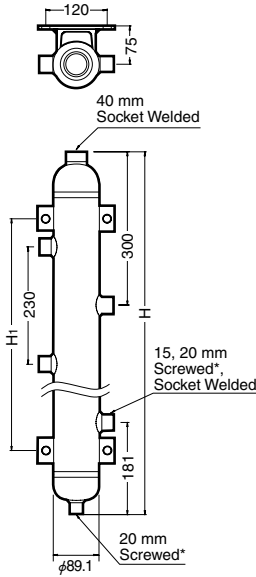


SM4S
Steam Manifold

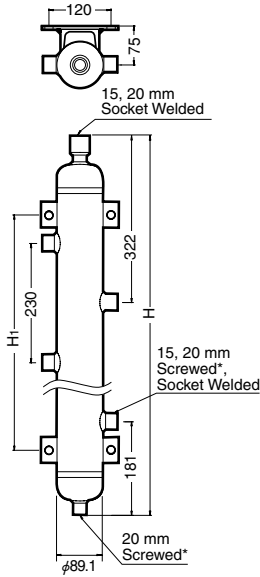
CM4S
Condensate Manifold

Dimensions

● **SM-S**



● **CM-S**

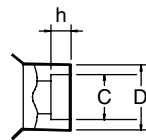


SM-S

Model	H	H ₁	Weight (kg)
SM4S (4-way)	711	454	9
SM8S (8-way)	1 171	914	19
SM12S (12-way)	1 631	1 374	29

CM-S

Model	H	H ₁	Weight (kg)
CM4S (4-way)	733	454	9.5
CM8S (8-way)	1 193	914	20
CM12S (12-way)	1 653	1 374	31



Socket Welded Connections (mm)

Size	φC	φD	h
15	22.2	32	13
20	27.7	38	
40	49.1	63	

Units: mm

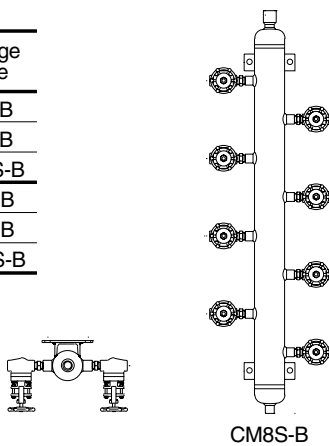
* Rc(PT), other standards available

Station Package

● **Manifold & Bellows Sealed Valves***

For steam and condensate manifolds

Manifold Model	Package Name
SM4S	SM4S-B
SM8S	SM8S-B
SM12S	SM12S-B
CM4S	CM4S-B
CM8S	CM8S-B
CM12S	CM12S-B

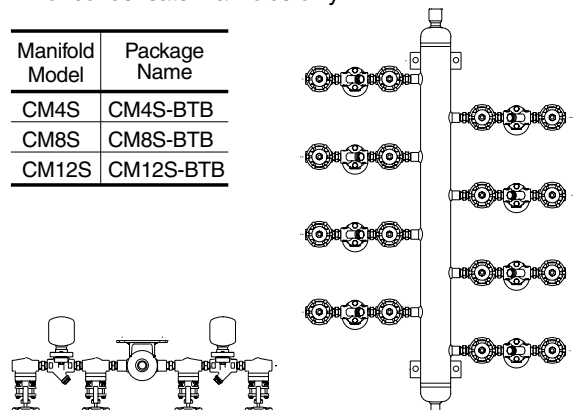


CM8S-B

● **Manifold, Bellows Sealed Valves* & Steam Traps****

For condensate manifolds only

Manifold Model	Package Name
CM4S	CM4S-BTB
CM8S	CM8S-BTB
CM12S	CM12S-BTB



CM8S-BTB

* Bellows sealed valve BE3L shown; other valve types are available

** Steam trap FS3 shown; other steam traps are available

Note: 1) Valves and steam traps are available with screwed or flanged connections.

2) Maximum operating pressure or temperature may be limited by the valve or steam trap selected.

Manufacturer

ISO 9001/ISO 14001

TLV® CO., LTD.
Kakogawa, Japan

is approved by LRQA Ltd. to ISO 9001/14001

