



THERMODYNE STEAM TRAP

MODEL A65S FORGED STEEL

THERMODYNAMIC DISC TRAP WITH THERMOSTATIC AIR VENTING

Features

Inline repairable trap of weldable carbon steel for high-pressure steam mains.

1. Hardened stainless steel working surfaces.
2. Air-jacketing reduces no-load cycling.
3. Lapped disc provides steam-tight seal without air-binding.
4. Built-in, easy-to-clean screen.
5. Bimetal ring provides quick thermostatic air venting.
6. Inline replaceable valve module.



Specifications

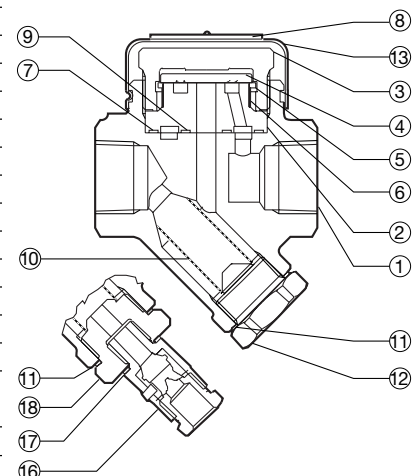
Model		A65S	
Connection		Socket Welded	Flanged
Size		DN 15, 20, 25	
Maximum Operating Pressure (barg)	PMO	65	
Minimum Operating Pressure (barg)		0.3	
Maximum Operating Temperature (°C)	TMO	400	
Maximum Back Pressure		80% of Inlet Pressure	

PRESSURE SHELL DESIGN CONDITIONS (**NOT** OPERATING CONDITIONS): Maximum Allowable Pressure (barg) PMA: 65
Maximum Allowable Temperature (°C) TMA: 400
1 bar = 0.1 MPa



To avoid abnormal operation, accidents or serious injury, DO NOT use this product outside of the specification range. Local regulations may restrict the use of this product to below the conditions quoted.

No.	Description	Material*	DIN	ASTM/AISI
①	Body	Carbon Steel C22.8	1.0460	A105
② ^R	Module Valve Seat	Stainless Steel SUS440C	1.4125	AISI440C
③ ^R	Inner Cover	Stainless Steel SUS420F2	1.4028	AISI420F2
④ ^R	Disc	Stainless Steel SUS440C	1.4125	AISI440C
⑤ ^R	Disc Holder Ring	Stainless Steel SUS630	1.4542	AISI630
⑥ ^R	Air Vent Ring	Bimetal	—	—
⑦ ^{MR}	Outer Module Gasket	Stainl. Steel SUS316L/Graphite	1.4404	AISI316L
⑧	Nameplate	Stainless Steel SUS304	1.4301	AISI304
⑨ ^{MR}	Inner Module Gasket	Stainl. Steel SUS316L/Graphite	1.4404	AISI316L
⑩ ^R	Screen inner/outer	Stainless Steel SUS304/430	1.4016/4301	AISI304/430
⑪ ^{MR}	Screen Holder Gasket	Soft Iron SUYP	1.1121	AISI1010
⑫	Screen Holder	Carbon Steel C2208	1.0406	A105
⑬	Cap	Stainless Steel SUS304	1.4301	AISI304
⑭	Socket (shown overleaf)	Carbon Steel C22.8	1.0460	A105
⑮	Flange (shown overleaf)	Carbon Steel*** C22.8/ A216 WCB	1.0460/ 1.0699	A105/A216 Gr. WCB
⑯	Blow-off Valve BO2**	Stainless Steel SUS430	1.4016	AISI430
⑰	Blow-off Valve Gasket**	Soft Iron SUYP	1.1121	AISI1010
⑱	Screen Holder for BO2**	Carbon Steel A105	1.0406	A105

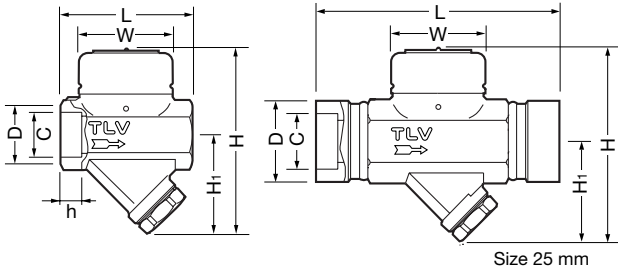


Copyright © TLV

* Equivalent materials ** Option *** Material depends on flange specifications
Replacement kits available: (M) maintenance parts, (R): repair parts

Dimensions

● **A65S Socket Welded**



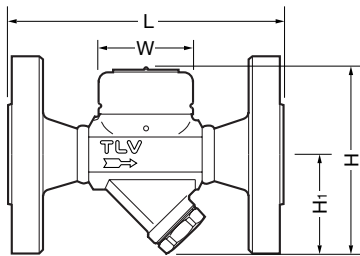
A65S Socket Welded* (mm)

DN	L	H**	H1**	φW	φD	φC	h	Weight (kg)
15	80	112	62	57.5	30	21.70	13	1.2
20	88	117			44	27.05		
25	150				50	33.80		

* ASME B16.11, other standards available

** With optional BO2, add 22 mm to H and H1

● **A65S Flanged**



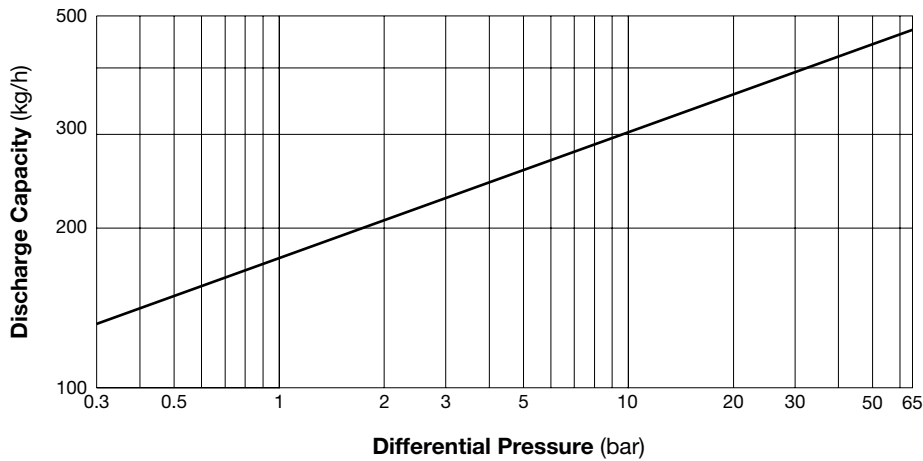
A65S Flanged (mm)

Size	L		H**	H1**	φW	Weight* (kg)
	ASME Class					
	300RF	600RF				
15	140	140	112	62	57.5	3.3
20	165	165				4.7
25	210	210				6.1

* Weights is for Class 600 RF

** With optional BO2, add 22 mm to H and H1

Discharge Capacity



1. Differential pressure is the difference between the inlet and outlet pressure of the trap.
2. Recommended safety factor: at least 2.

Manufacturer

TLV® CO., LTD.
Kakogawa, Japan

is approved by LRQA Ltd. to ISO 9001/14001

ISO 9001/ISO 14001

