



BLOW-OFF VALVE

MODEL BO2 STAINLESS STEEL

Features

Stainless steel valve utilizes a steam trap's internal pressure to blow any condensate, oil, dirt or scale inside the steam trap out to atmosphere.

1. Simple design, compact and light weight.
2. Made from stainless steel with high durability and corrosion resistance for long service life.
3. Easy to use and maintain.



Specifications

Model	BO2	
Connection	Screwed	
Maximum Operating Pressure (barg)	PMO	65
Maximum Operating Temperature (°C)	TMO	425

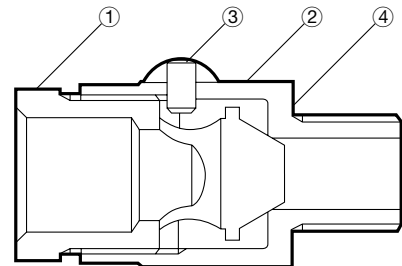
PRESSURE SHELL DESIGN CONDITIONS (**NOT** OPERATING CONDITIONS): Maximum Allowable Pressure (barg) PMA: 65 1 bar = 0.1 MPa
Maximum Allowable Temperature (°C) TMA: 425



To avoid abnormal operation, accidents or serious injury, DO NOT use this product outside of the specification range. Local regulations may restrict the use of this product to below the conditions quoted.

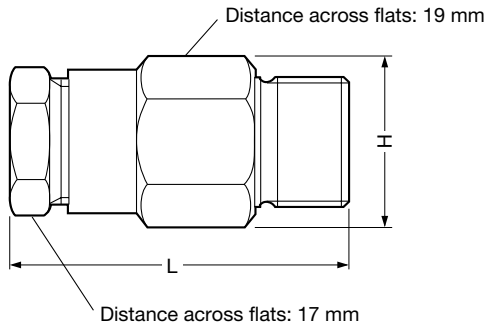
No.	Description	Material*	DIN	ASTM/AISI
①	Blow-off Valve	Stainless Steel SUS420F	1.4028	AISI420F
②	Blow-off Valve Seat	Stainless Steel SUS420F	1.4028	AISI420F
③	Valve Stopper Pin	Stainless Steel SUS304	1.4301	AISI304
④	Blow-off Valve Gasket	Soft Iron SUYP	1.1121	AISI1010

* Equivalent materials



Dimensions

● **BO2 Screwed**



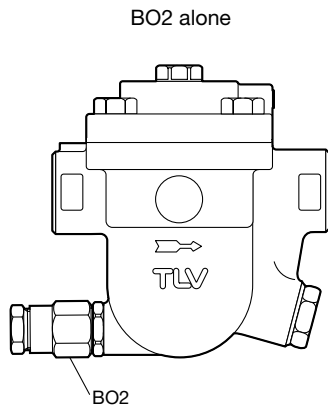
BO2 Screwed* (mm)

DN	L	H	Weight (kg)
8	43	22	0.6

* PF1/4, adaptors available to fit most TLV air and steam traps; indicate which product the BO2 will be used for when ordering

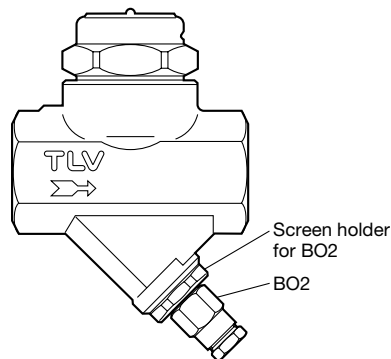
Installation

The BO2 blow-off valve may require a connection adapter for some installations as shown:



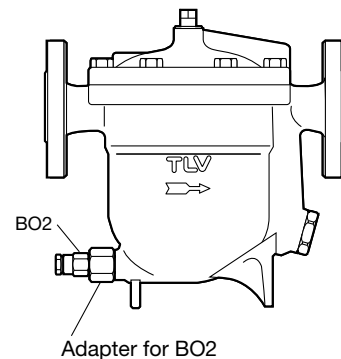
Model J3X with BO2

Installation with screen holder for BO2



Model P46SR with BO2

Installation with adapter* for BO2



Model J7X with BO2

*Adapter may vary depending on product

Manufacturer
TLV® CO., LTD.
 Kakogawa, Japan
 is approved by LRQA Ltd. to ISO 9001/14001

ISO 9001/ISO 14001

