



# GLOBE VALVE BELLOWS SEALED

## BOA-H Series

CAST IRON, DUCTILE CAST IRON, CAST STEEL

### GLOBE-TYPE VALVE WITH BELLOWS SEALED STEM

#### Features

**Two port maintenance-free bellows sealed shut-off globe valve for steam, water and other fluids\*.**

1. Maintenance-free stem with bellows seal and safety gland. BOA-H40 bellows are double walled.
2. Stem with protected external thread for high reliability.
3. BOA-H16 and H25 with non-rotating stem and non-rising hand wheel with position indicator
4. BOA-H40 shut-off cone has a wear-resistant and corrosion-proof Cr-steel or CrNi-steel seat.
5. Free of asbestos, PCB and CFC.

\* Do not use for toxic, flammable or otherwise hazardous fluids



#### Specifications

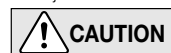
Model	BOA-H16	BOA-H25	BOA-H40	
Connection	Flanged PN 16	Flanged PN 25	Flanged PN 40	
Body Material	Cast Iron GG-25	Ductile Cast Iron GGG40.3	Carbon Steel C22.8	Cast Steel GS-C25N
Size	DN 15 – 300	DN 15 – 150	DN 10 – 40	DN 50 – 200

#### Operating Pressures & Temperatures

Model	-10* up to 120 (-10* up to 50)	150	200	250	300	350	400	450	Temperature (°C)
BOA-H16 (PN 16)	16	14.4	12.8	11.2	9.6	—	—	—	Maximum Operating Pressure (barg)
BOA-H25 (PN 25)	25	24.3	23	21.8	20	17.5	—	—	
BOA-H40 (PN 40)	(40)	35.2	33.3	30.4	27.6	25.7	23.8	13.1	

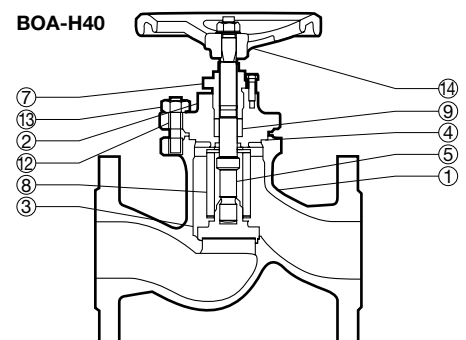
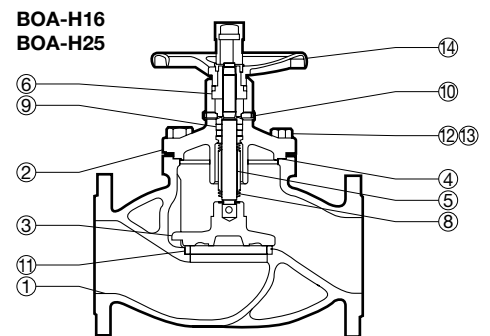
\* Subject to the limitations of fluid freezing point

1 bar = 0.1 MPa



To avoid abnormal operation, accidents or serious injury, DO NOT use this product outside of the specification range. Local regulations may restrict the use of this product to below the conditions quoted.

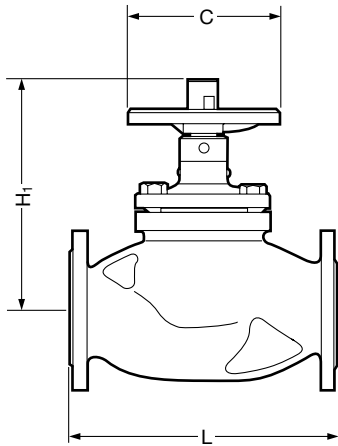
No.	Description	Material	DIN	
①	Body	BOA-H16	Cast Iron GG-25	0.6025
		BOA-H25	Ductile Cast Iron GGG40.3	0.7043
		BOA-H40 DN 10 - 40	Carbon Steel C22.8	1.0460
		BOA-H40 DN 50 - 200	Cast Steel GS-C25N	1.0619
②	Bonnet	BOA-H16	Cast Iron GG-25	0.6025
		BOA-H25	Ductile Cast Iron GGG40.3	0.7043
		BOA-H40	Carbon Steel C22.8	1.0460
③	Cone	BOA-H16 / BOA-H25 DN 15 - 150 BOA-H40 DN 10 - 100	Stainless Steel	1.4021
		BOA-H16 DN 200 - 300	Carbon/Stainless Steel	1.0402/1.4370
		BOA-H40 DN 125 - 200	Hard Faced (17% Cr) Carbon Steel	1.0460
④	Bonnet Gasket	Stainless Steel/Graphite	—	
⑤	Stem	Stainless Steel	1.4021	
⑥	Stem Nut	BOA-H16, BOA-H25	Steel (Coated)	—
⑦	Threaded Bush	BOA-H40	Carbon Steel	1.0715
⑧	Bellows	BOA-H16, BOA-H25	Stainless Steel	1.4541
		BOA-H40	Stainless Steel	1.4571
⑨	Gland Packing	Graphite	—	
⑩	Gland Bolt	Steel	—	
⑪	Seat Ring	BOA-H16, BOA-H25	Stainless Steel	—
⑫	Bonnet Bolt	BOA-H16	Carbon Steel	—
		BOA-H25	Carbon Steel	1.1181
		BOA-H40	Alloy Steel	1.7218
⑬	Bonnet Nut	BOA-H25	Carbon Steel	1.1181
		BOA-H40	Alloy Steel	1.7218
		BOA-H16 / BOA-H25 DN 15 - 150	Aluminum	—
⑭	Handwheel	BOA-H16 DN 200 - 300	Cast Iron GG-25	0.6025
		BOA-H40	Cast Iron GG-20	0.6020
		BOA-H16 / BOA-H25 DN 15 - 150	Aluminum	—



**Dimensions**

● **BOA-H16 / BOA-H25**

Flanged



**BOA-H16 / BOA-H25 Flanged**

(mm)

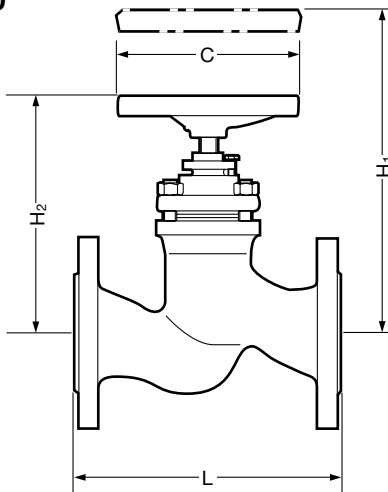
DN	L		H <sub>1</sub>	φC	Weight ** (kg)
	DIN 2501*				
	PN16	PN25			
15	130	130	175	100	3.1 / 3.1
20	150	150	178		4.0 / 4.1
25	160	160	184		4.7 / 4.6
32	180	180	205		7.3 / 8.2
40	200	200	210	160	7.7 / 8.5
50	230	230	235		10 / 11
65	290	290	246	200	17 / 17
80	310	310	282		22 / 29
100	350	350	304		32 / 40
125	400	400	390	250	54 / 65
150	480	480	408		71 / 89
200	600	-	570	400	130 / -
250	730	-	606		230 / -
300	850	-	660		328 / -

\* PN 16 for BOA-H16, PN 25 for BOA-H25

\*\* BOA-H16 / BOA-H25

● **BOA-H40**

Flanged



**BOA-H40 Flanged**

(mm)

DN	L		H <sub>1</sub>	H <sub>2</sub>	φC	Weight (kg)
	DIN 2501					
	PN40					
10	130	130	210	140	125	3.8
15						3.7
20	150	150	260	165		4.6
25	160	160				5.2
32	180	180	290	190	160	9.4
40	200	200				11
50	230	230	300	200		14
65	290	290	330	220	200	22
80	310	310	420	270		33
100	350	350	480	305	250	46
125	400	400	550	345		67
150	480	480	580	395		98
200	600	600	620	430	315	175
200	600	600	760	500		400

**Cv & Kvs Values**

Model	DN	10	15	20	25	32	40	50	65	80	100	125	150	200	250	300
BOA-H16 BOA-H25	Kvs (DIN)	-	4.9	8.5	12	20	28	43	74	113	170	270	393	657	1035	1466
	Cv (UK)	-	4.8	8.3	12	20	27	42	71	109	165	263	383	641	1009	1429
	Cv (US)	-	5.7	9.9	14	23	32	51	86	131	198	316	460	769	1211	1715
BOA-H40	Kvs (DIN)	2.9	2.9	4.9	8.1	16	26	41	70	133	166	270	360	650	-	-
	Cv (UK)	2.8	2.8	4.8	7.9	16	25	40	68	130	162	263	351	634	-	-
	Cv (US)	3.4	3.4	5.7	9.5	19	30	48	82	156	194	316	421	761	-	-

Manufacturer:  
KSB Armaturen

BOA is a registered trademark  
of KSB Armaturen