



FREE FLOAT STEAM TRAP

MODEL JH3LB STAINLESS STEEL

FREE FLOAT STEAM TRAP WITH THERMOSTATIC AIR VENTING

Features

Inline repairable stainless steel steam trap for drainage of superheated or high-pressure steam mains and equipment.

1. Self-modulating free float provides continuous, smooth, low velocity condensate discharge as process loads vary.
2. Precision-ground float, constant water-seal and unique three-point seating ensure steam-tight seal, even under no-load conditions.
3. Only one moving part, the free float, eliminates concentrated wear and provides long maintenance-free service life.
4. Thermostatic bimetal air vent valve vents air automatically for rapid start-up.
5. Easy, inline access to internal parts simplifies cleaning and reduces maintenance costs.
6. Built-in screen with large surface ensures trouble-free operation.



Specifications

Model		JH3LB		
Connection		Screwed	Socket Welded	Flanged
Size (mm)		1/2", 3/4", 1"	DN 15, 20, 25	
Orifice No.		2, 5, 10, 14, 22, 32		
Maximum Operating Pressure (barg)	PMO	2, 5, 10, 14, 22, 32		
Maximum Differential Pressure (bar)	ΔPMX	2, 5, 10, 14, 22, 32		
Maximum Operating Temperature (°C)	TMO	350		

PRESSURE SHELL DESIGN CONDITIONS (**NOT** OPERATING CONDITIONS): Maximum Allowable Pressure (barg) PMA: 32
Maximum Allowable Temperature (°C) TMA: 350 1 bar = 0.1 MPa

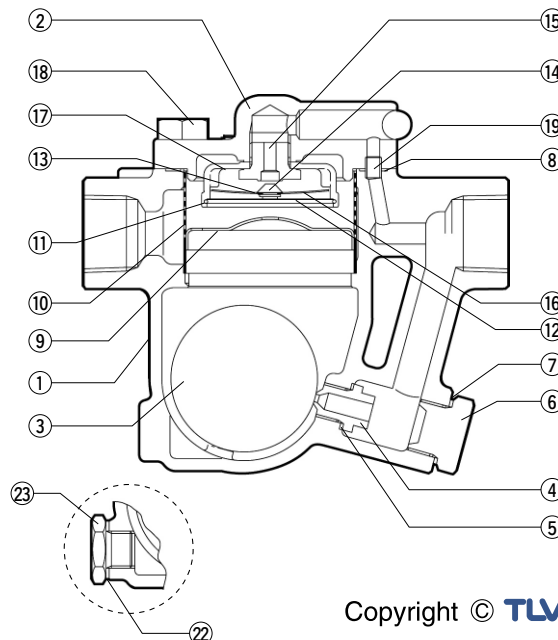


To avoid abnormal operation, accidents or serious injury, **DO NOT** use this product outside of the specification range. Local regulations may restrict the use of this product to below the conditions quoted.

No.	Description	Material	DIN*	ASTM/AISI*
①	Body	Cast Stainl. Steel A351 Gr. CF8	1.4308	—
②	Cover	Cast Stainl. Steel A351 Gr. CF8	1.4308	—
③ ^F	Float	Stainless Steel SUS316L	1.4404	AISI316L
④ ^R	Orifice	—	—	—
⑤ ^{MR}	Orifice Gasket	Stainless Steel SUS316L	1.4404	AISI316L
⑥	Orifice Plug	Stainless Steel SUS303	1.4305	AISI303
⑦ ^{MR}	Plug Gasket	Stainless Steel SUS316L	1.4404	AISI316L
⑧ ^{MR}	Cover Gasket	Stainl. Steel SUS316L/Graphite	1.4404	AISI316L
⑨ ^R	Float Cover	Stainless Steel SUS304	1.4301	AISI304
⑩ ^R	Screen	Stainless Steel SUS430	1.4016	AISI430
⑪ ^R	Snap Ring	Stainless Steel SUS304	1.4301	AISI304
⑫ ^R	Air Vent Screen	Stainless Steel SUS304	1.4301	AISI304
⑬ ^R	Snap Ring	Stainless Steel SUS304	1.4301	AISI304
⑭ ^R	Air Vent Valve Plug	Stainless Steel SUS416	1.4005	AISI416
⑮ ^R	Air Vent Valve Seat	Stainless Steel SUS303	1.4305	AISI303
⑯ ^R	Bimetal Plate	Bimetal	—	—
⑰ ^R	Air Vent Case	Stainless Steel A351 Gr. CF8	1.4308	—
⑱	Cover Bolt	Stainless Steel SUS304	1.4301	AISI304
⑲	Connector	Stainless Steel SUS416	1.4005	AISI416
⑳	Socket**/Flange**	Cast Stainl. Steel A351 Gr. CF8	1.4308	—
㉑	Nameplate	Stainless Steel SUS304	1.4301	AISI304
㉒	Drain Plug Gasket***	Stainless Steel SUS316L	1.4028	AISI316L
㉓	Drain Plug***	Stainless Steel SUS303	1.4305	AISI303

* Equivalent materials ** Shown on reverse, sockets 1", DN 25 are welded on
*** Option

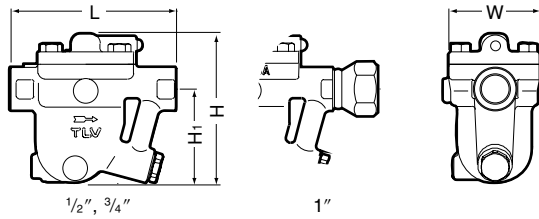
Replacement kits available: (M) maintenance parts, (R) repair parts, (F) float



Copyright © TLV

Dimensions

● **JH3LB Screwed**

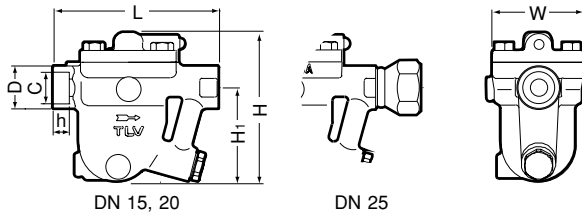


JH3LB Screwed* (mm)

DN	L	H	H ₁	W	Weight (kg)
1/2"	145	129	82	80	2.7
3/4"					2.8
1"	203				

* BSP DIN 2999, other standards available

● **JH3LB Socket Welded**

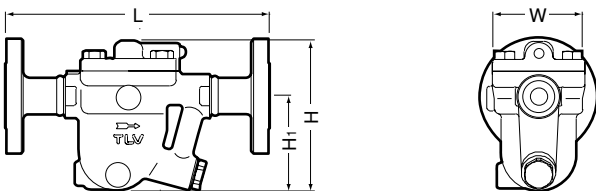


JH3LB Socket Welded* (mm)

DN	L	H	H ₁	W	φD	φC	h	Weight (kg)
15	145	129	82	80	36	21.70	12	2.7
20							14	
25	203				44	33.80		2.8

* ASME B16.11, other standards available

● **JH3LB Flanged**



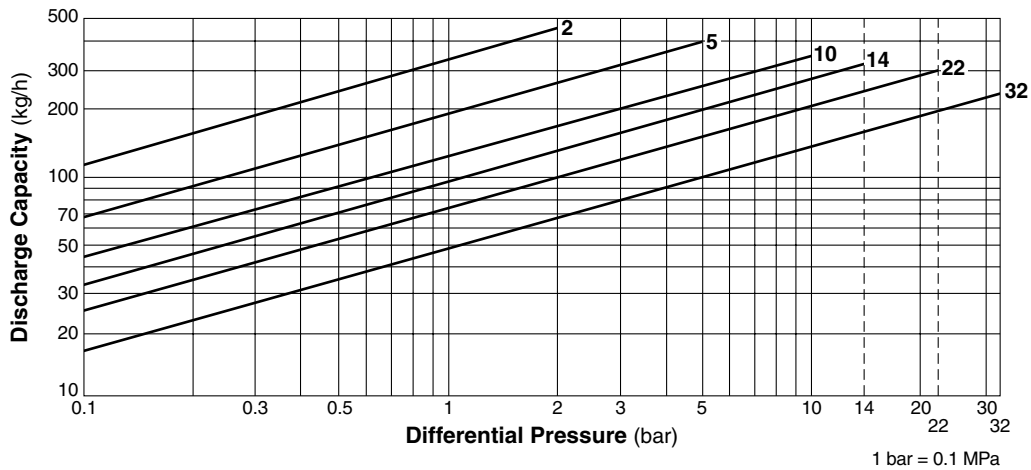
JH3LB Flanged (mm)

DN	L			H	H ₁	W	Weight* (kg)
	ASME Class						
	150RF	300RF	600RF				
15	210	210	220	129	82	80	4.3
20	230	230	230				5.1
25	250	250	250				5.8

Other standards available, but length and weight may vary

* Weight is for class 600 RF

Discharge Capacity



- Line numbers within the graph refer to orifice numbers.
- Differential pressure is the difference between the inlet and outlet pressure of the trap.
- Capacities are based on continuous discharge of condensate 6°C below saturated steam temperature.
- Recommended safety factor: at least 1.5.

CAUTION DO NOT use traps under conditions that exceed maximum differential pressure, as condensate backup will occur!

Manufacturer

ISO 9001/ISO 14001

TLV® CO., LTD.
Kakogawa, Japan

is approved by LRQA Ltd. to ISO 9001/14001

