



FREE FLOAT STEAM TRAP

MODEL JH7 CAST STEEL

HIGH PRESSURE FREE FLOAT STEAM TRAP WITH AIR VENT VALVE

Features

A reliable and durable cast steel* free float trap with tight shut-off for use on medium-size process equipment.

1. Self-modulating free float provides continuous, smooth, low velocity condensate discharge as process loads vary.
2. Constant water-seal design ensures steam-tight seal, even under low-load conditions.
3. Only one moving part, the free float, eliminates concentrated wear and provides long maintenance-free service life.
4. Easy-to-use air vent valve facilitates rapid start-up.
5. Easy, inline access to internal parts simplifies cleaning and reduces maintenance costs.
6. Built-in screen with large surface ensures trouble-free operation.

* Stainless steel body available on request



Specifications

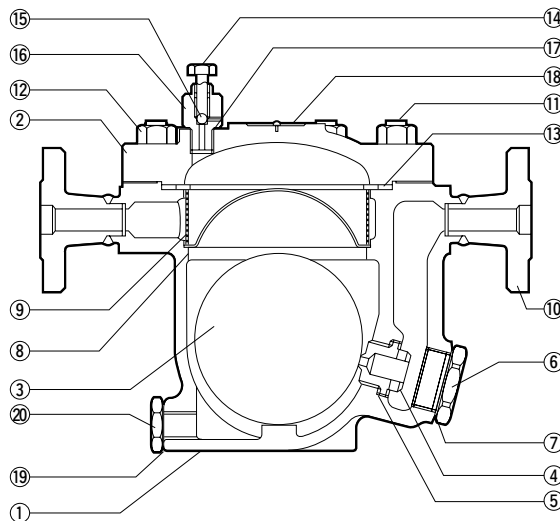
Model	JHW7	JH7
Connection	Socket Welded	Flanged
Size	DN 20, 25, 40	
Orifice No.	1, 2, 5, 10, 14, 22, 32, 40, 46, 65	
Maximum Operating Pressure (barg) PMO	1, 2, 5, 10, 14, 22, 32, 40, 46, 65	
Maximum Differential Pressure (bar) Δ PMX	1, 2, 5, 10, 14, 22, 32, 40, 46, 65	
Maximum Operating Temperature (°C) TMO	400	

PRESSURE SHELL DESIGN CONDITIONS (**NOT** OPERATING CONDITIONS): Maximum Allowable Pressure (barg) PMA: 65
 Maximum Allowable Temperature (°C) TMA: 400
 1 bar = 0.1 MPa



To avoid abnormal operation, accidents or serious injury, DO NOT use this product outside of the specification range. Local regulations may restrict the use of this product to below the conditions quoted.

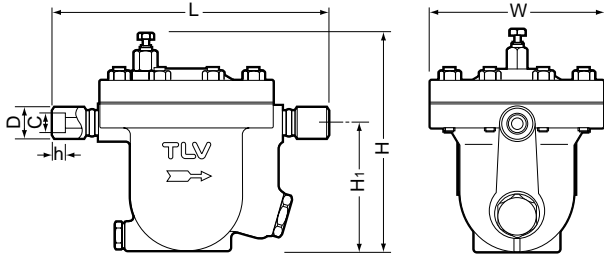
No.	Description	Material*	DIN	ASTM/AISI
①	Body	Cast Steel SCPH2	1.0619	A216 Gr. WCB
②	Cover	Carbon Steel S25C	1.1158	A1025
③ ^F	Float	Stainless Steel SUS316L	1.4404	AISI316L
④ ^R	Orifice	Stainless Steel SUS420F	1.4028	AISI420F
⑤ ^{MR}	Orifice Gasket	Soft Iron SUYP	1.1121	AISI1010
⑥	Orifice Plug	Cast Stainless Steel SCS13A	1.4308	A351 Gr. CF8
⑦ ^{MR}	Orifice Plug Gasket	Soft Iron SUYP	1.1121	AISI1010
⑧	Screen Holder	Stainless Steel SUS304	1.4301	AISI304
⑨ ^R	Screen	Stainless Steel SUS430	1.4016	AISI430
⑩	Socket (20, 25)	Carbon Steel S25C	1.1158	AISI1025
	Flange**/Socket (40)	Carbon Steel A105	1.0460	A105
	Flange**	Cast Steel A216 Gr. WCB	1.0619	A216 Gr. WCB
⑪	Cover Bolt	Alloy Steel SNB16	1.7711	A193 Gr. B16
⑫	Cover Nut	Carbon Steel S45C	1.0503	AISI1045
⑬ ^{MR}	Cover Gasket	Stainless Steel/Graphite SUS304	1.4301	AISI304
⑭ ^V	Air Vent Valve Stem	Stainless Steel SUS304	1.4301	AISI304
⑮ ^V	Steel Ball	Stainless Steel SUS440C	1.4125	AISI440C
⑯ ^V	Air Vent Valve Body	Stainless Steel SUS303	1.4305	AISI303
⑰ ^V	Air Vent Valve Gasket	Soft Iron SUYP	1.1121	AISI1010
⑱	Nameplate	Stainless Steel SUS304	1.4301	AISI304
⑲ ^{MR}	Drain Plug Gasket	Soft Iron SUYP	1.1121	AISI1010
⑳	Drain Plug	Carbon Steel S25C	1.1158	AISI1025



* Equivalent materials ** Material depends on flange specifications
 Replacement kits available: (M) maintenance parts, (R) repair parts, (F) float, (V) air vent valve unit

Dimensions

● **JHW7** Socket Welded

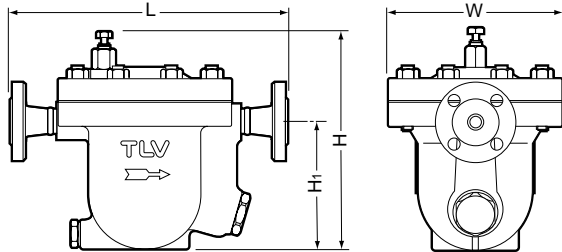


JHW7 Socket Welded* (mm)

Size (DN)	φD	φC	h	L	H	H ₁	φW	Weight (kg)
20	40	27.05	14	350	273	162	222	25
25	49	33.80						27
40	66	48.65		336				27

* Suitable for DIN 3239, other standards available

● **JH7** Flanged

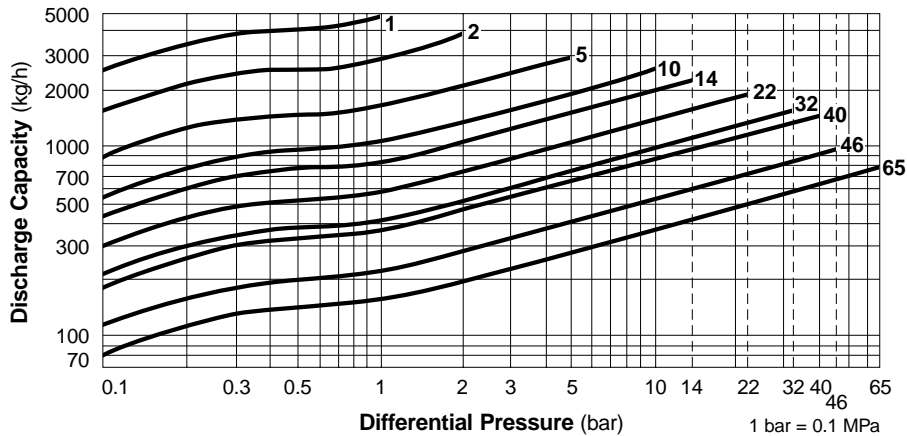


JH7 Flanged* (mm)

Size (DN)	L	H	H ₁	φW	Weight (kg)
20	350	273	162	222	26
25					27
40	380				28

* DIN 2501 PN 40, other standards available

Discharge Capacity



1. Line numbers within the graph refer to orifice numbers.
2. Differential pressure is the difference between the inlet and outlet pressure of the trap.
3. Capacities are based on continuous discharge of condensate 6°C below saturated steam temperature.
4. Recommended safety factor: at least 1.5.

CAUTION DO NOT use traps under conditions that exceed maximum differential pressure, as condensate backup will occur!

Manufacturer

ISO 9001/ISO 14001

TLV® CO., LTD.
Kakogawa, Japan

is approved by LRQA Ltd. to ISO 9001/14001

