



PowerDyne® STEAM TRAP

MODEL P46S STAINLESS STEEL

COMPACT THERMODYNAMIC DISC TRAP

Features

Stainless steel trap with built-in Y-strainer for reliable performance in tracing, instrumentation, and steam mains.

1. Hardened stainless steel working surfaces for long service life.
2. Air-jacketing reduces no-load cycling and extends service life.
3. Lapped disc provides steam-tight seal for long service life.
4. Built-in screen for extended trouble-free service.



Specifications

Model	P46S	
Connection	Screwed	
Size	1/4", 3/8", 1/2"	
Maximum Operating Pressure (barg)	PMO	46*
Minimum Operating Pressure (barg)		0.3
Maximum Operating Temperature (°C)	TMO	400
Maximum Back Pressure	80% of Inlet Pressure	

*For best performance over extended periods, it is recommended that the trap be operated at or below 21 barg.

1 bar = 0.1 MPa

PRESSURE SHELL DESIGN CONDITIONS (**NOT** OPERATING CONDITIONS): Maximum Allowable Pressure (barg) PMA: 46
Maximum Allowable Temperature (°C) TMA: 400

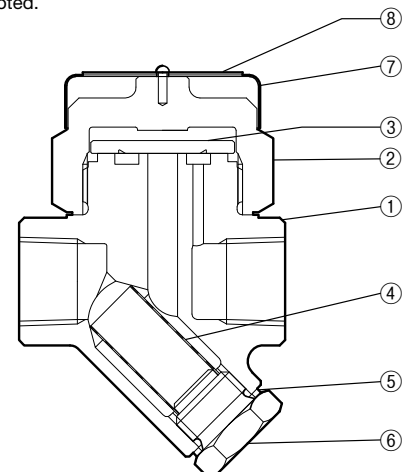


To avoid abnormal operation, accidents or serious injury, DO NOT use this product outside of the specification range. Local regulations may restrict the use of this product to below the conditions quoted.

No.	Description	Material	DIN	ASTM/AISI*
①	Body	Cast Stain. Steel A743 Gr.CA40	1.4027	—
② ^R	Cover	Stainless Steel SUS420F2	—	AISI420F2
③ ^R	Disc	Stainless Steel SUS420J2	1.4031	AISI420
④ ^R	Screen	Stainless Steel SUS430	1.4016	AISI430
⑤ ^{MR}	Screen Holder Gasket	Stainless Steel SUS316L	1.4404	AISI316L
⑥	Screen Holder	Stainless Steel SUS303	1.4305	AISI303
⑦ ^R	Cap	Stainless Steel SUS304	1.4301	AISI304
⑧ ^R	Nameplate	Stainless Steel SUS304	1.4301	AISI304

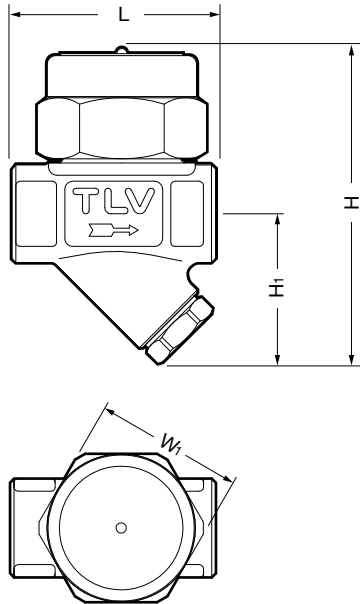
*Equivalent materials

Replacement kits available: (M) maintenance parts, (R) repair parts



Dimensions

● **P46S** Screwed



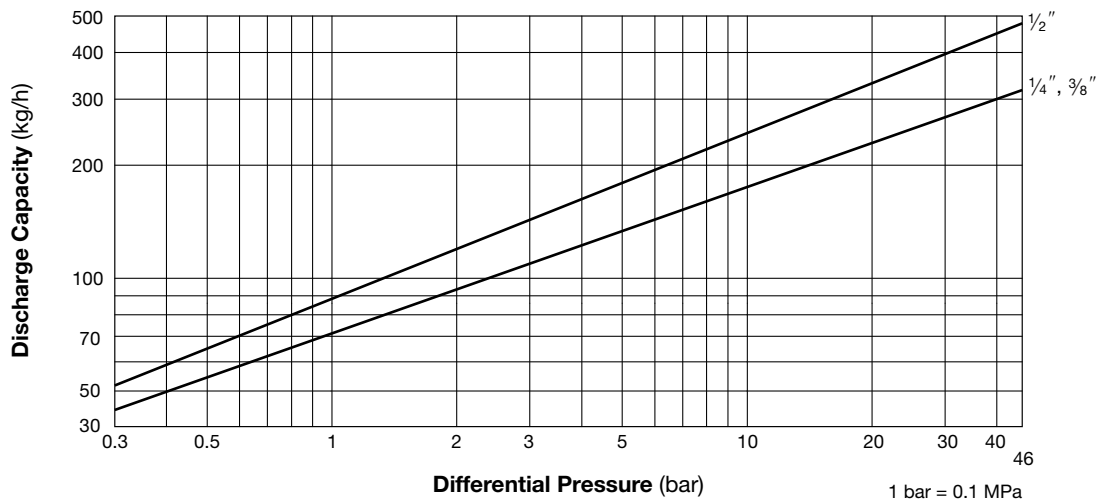
P46S Screwed*

(mm)

Size	L	H	H ₁	W ₁	Weight (kg)
1/4"	50	77	37	36	0.35
3/8"					
1/2"	68	82	39		0.46

* BSP DIN 2999, other standards available

Discharge Capacity



1. Differential pressure is the difference between the inlet and outlet pressure of the trap.
2. Recommended safety factor: at least 2.

Manufacturer

ISO 9001/ISO 14001

TLV® CO., LTD.
Kakogawa, Japan
is approved by LRQA Ltd. to ISO 9001/14001

