



FREE FLOAT® STEAM TRAP

MODEL JH7.2R-X/JH7.2R-B

FREE FLOAT STEAM TRAP WITH THERMOSTATIC AIR VENTING

Benefits

A reliable and durable cast steel steam trap for use on medium-size process equipment. JH7.2R-B is also suitable for high-pressure process equipment.

1. Self-modulating free float provides continuous, smooth, low-velocity condensate discharge as process loads vary.
2. Constant water seal ensures a steam-tight seal, even under low-load conditions.
3. Only one moving part, the free float, eliminates concentrated valve wear and provides long maintenance-free service life.
4. Rugged float construction with up to 1500 or 1600 psig* hydraulic shock rating ensures excellent resistance of the float to water hammer.
5. **JH7.2R-X**: Thermostatic capsule (X-element) with "fail open" feature vents air automatically at close-to-steam temperature.
6. **JH7.2R-B**: Thermostatic bimetal air vent valve vents air automatically for rapid startup.
7. Built-in screen with large surface area ensures extended trouble-free operation.

* Depending on orifice No.



Specifications

| Model | JH7.2R-X | JH7.2R-B |
|--|------------------------------|--|
| Connection | Flanged | Flanged |
| Size (in) | 1½ | 1½ |
| Orifice No. | 2, 5, 10, 14, 22, 32 | 40, 46 |
| Maximum Operating Pressure (psig) PMO | 30, 75, 150, 200, 315, 450 | 600, 650 |
| Maximum Differential Pressure (psi) ΔPMX | 30, 75, 150, 200, 315, 450 | 600, 650 |
| Minimum Operating Pressure (psig) | Vacuum | 1.5 |
| Maximum Operating Temperature (°F) TMO | 464 | 800 |
| Maximum Allowable Pressure (psig) PMA | 650 | 650 |
| Maximum Allowable Temperature (°F) TMA | 800 | 800 |
| Type of Air Vent | X-element (11 °F subcooling) | Bimetal (vents air up to approx. 212 °F) |

| No. | Description | Material | ASTM/AISI* | JIS |
|-----------------|---------------------|--------------------------|-------------|------------|
| ① | Body | Cast Steel | A216 Gr.WCB | — |
| ② | Cover | Carbon Steel | A105 | — |
| ③ ^F | Float | Stainless Steel | AISI316L | SUS316L |
| ④ ^R | Orifice | — | — | — |
| ⑤ ^{MR} | Orifice Gasket | Soft Iron | AISI1010 | SUYP |
| ⑥ | Orifice Plug | Cast Stainless Steel | A351 Gr.CF8 | — |
| ⑦ ^{MR} | Orifice Plug Gasket | Soft Iron | AISI1010 | SUYP |
| ⑧ ^R | Screen | Stainless Steel | AISI430 | SUS430 |
| ⑨ | Screen Holder | Stainless Steel | AISI304 | SUS304 |
| ⑩ ^{MR} | Cover Gasket | Graphite/Stainless Steel | - /AISI316L | - /SUS316L |
| ⑪ | Cover Bolt | Alloy Steel | A193 Gr.B16 | SNB16 |
| ⑫ | Cover Nut | Carbon Steel | AISI1045 | S45C |
| ⑬ ^R | X-element | Stainless Steel | — | — |
| ⑭ ^R | Spring Clip | Stainless Steel | AISI304 | SUS304 |
| ⑮ ^R | X-element Guide | Stainless Steel | AISI304 | SUS304 |
| ⑯ ^R | Air Vent Valve Seat | Stainless Steel | AISI420F | SUS420F |
| ⑰ ^R | Snap Ring | Stainless Steel | AISI304 | SUS304 |
| ⑱ ^R | Air Vent Case | Cast Stainless Steel | A351 Gr.CF8 | — |
| ⑲ ^R | Bimetal Plate | Bimetal | — | — |
| ⑳ ^R | Air Vent Screen | Stainless Steel | AISI304 | SUS304 |
| ㉑ ^R | Air Vent Valve Seat | — | — | — |
| ㉒ ^R | Air Vent Valve Plug | — | — | — |
| ㉓ ^R | Snap Ring | Stainless Steel | AISI304 | SUS304 |
| ㉔ | Connector | Stainless Steel | AISI416 | SUS416 |
| ㉕ | Nameplate | Stainless Steel | AISI304 | SUS304 |
| ㉖ | Flange | Carbon Steel | A105 | — |
| ㉗ ^{MR} | Drain Plug Gasket | Soft Iron | AISI1010 | SUYP |
| ㉘ | Drain Plug | Carbon Steel | AISI1025 | S25C |

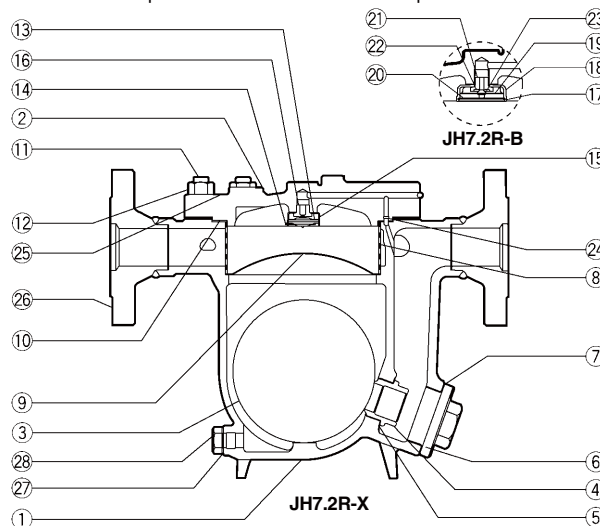
* Equivalent

Replacement kits available: (M) maintenance parts, (R) repair parts, (F) float

Connections and sizes in bold are standard



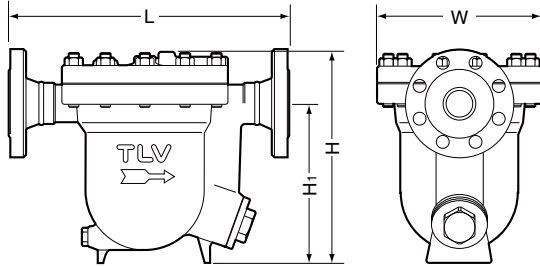
To avoid abnormal operation, accidents or serious injury, DO NOT use this product outside of the specification range. Local regulations may restrict the use of this product to below the conditions quoted.



Copyright © TLV

Dimensions

● JH7.2R-X/JH7.2R-B Flanged



JH7.2R-X/JH7.2R-B Flanged (in)

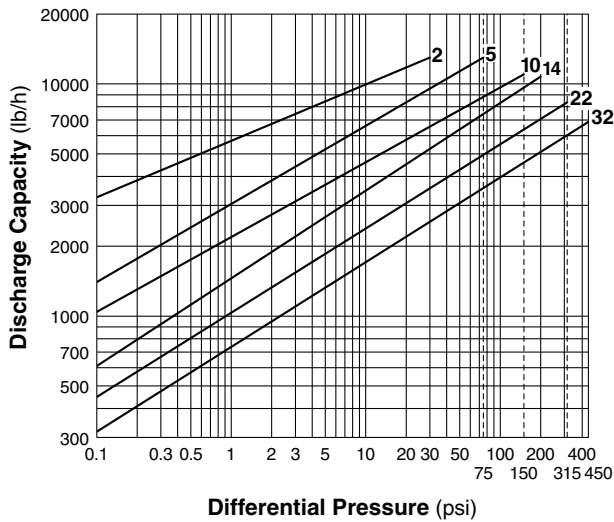
| Size | L | | | H | H ₁ | φW | Weight* (lb) |
|------|------------------------|-------|--------------|-----|----------------|---------|--------------|
| | Connects to ASME Class | | | | | | |
| | 150RF | 300RF | 600RF | | | | |
| 1½ | 16 | 16¼ | 16⅞ | 12⅝ | 9⅝ | 9 13/16 | 81 |

Other standards available, but length and weight may vary
* Weight is for Class 600 RF

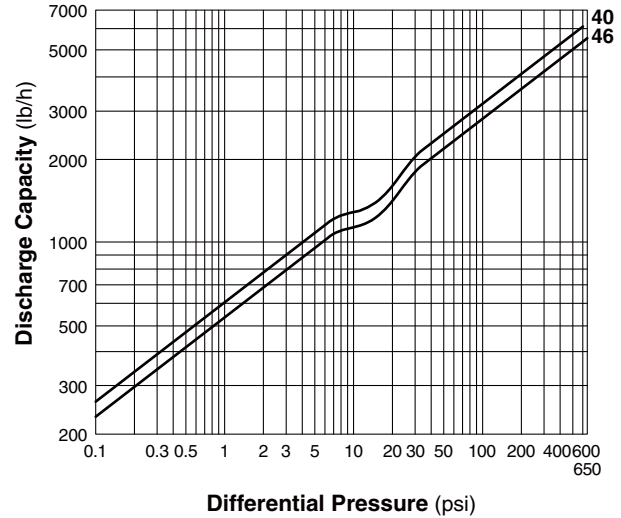
Flange classes in bold are standard

Discharge Capacity

● JH7.2R-X



● JH7.2R-B



1. Line numbers within the graph are orifice numbers.
2. Differential pressure is the difference between the inlet and outlet pressure of the trap.
3. Capacities are based on continuous discharge of condensate 11 °F below saturated temperature.
4. Recommended safety factor: at least 1.5.



Do not use traps under conditions that exceed maximum differential pressure, as condensate backup will occur!



DO NOT DISASSEMBLE OR REMOVE THIS PRODUCT WHILE IT IS UNDER PRESSURE. Allow internal pressure of this product to equal atmospheric pressure and its surface to cool to room temperature before disassembling or removing. Failure to do so could cause burns or other injury. READ INSTRUCTION MANUAL CAREFULLY.

TLV CORPORATION

13901 South Lakes Drive, Charlotte, NC 28273-6790
Phone: 704-597-9070 Fax: 704-583-1610
E-mail: tlv@tlvengineering.com
For Technical Service 1-800 "TLV TRAP"



Manufacturer
TLV CO., LTD.
Kakogawa, Japan
is approved by LRQA Ltd. to ISO 9001/14001

ISO 9001/ISO 14001

