



BALL VALVE

MODEL BV1

STAINLESS STEEL BALL VALVE WITH TIGHT GLAND SEALING

Features

All stainless steel full bore ball valve of 3-piece design for steam, water and air.

1. Valve seats made of heat resistant carbon fiber-filled PTFE.
2. Stem is double-sealed with a heat resistant carbon fiber-filled PTFE gland and two FPM O-rings.
3. All internal body surfaces machined.



Specifications

Model	BV1	
Connection	Screwed	
Valve Port	Full Bore	
Size (mm)	15, 20, 25, 32, 40, 50, 65, 80	
Maximum Operating Pressure (MPaG) PMO	1.0	
Maximum Operating Temperature (°C) TMO	185	
Applicable Fluid*	Steam, Water, Air	

*Do not use for toxic, flammable or otherwise hazardous fluids.

1 MPa = 10.197 kg/cm²

PRESSURE SHELL DESIGN CONDITIONS (**NOT** OPERATING CONDITIONS):

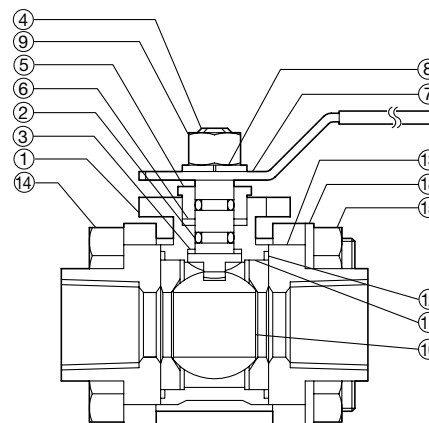
Maximum Allowable Pressure (MPaG) PMA: 1.0

Maximum Allowable Temperature (°C) TMA: 185



To avoid abnormal operation, accidents or serious injury, DO NOT use this product outside of the specification range. Local regulations may restrict the use of this product to below the conditions quoted.

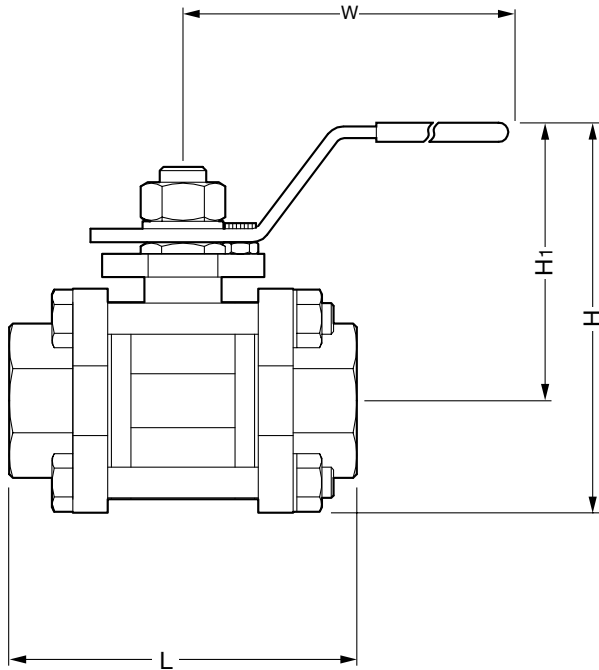
No.	Description	Material	JIS	ASTM/AISI*
①	Body	Cast Stainless Steel	—	A351 Gr.CF8
②	Stem Seal O-Ring	Fluorine Rubber	FPM	D2000HK
③	Thrust Washer	Carbon fiber-filled Fluorine Resin	PTFE	PTFE
④	Stem	Stainless Steel	SUS304	AISI304
⑤	Gland	Stainless Steel	SUS304	AISI304
⑥	Gland Packing	Carbon fiber-filled Fluorine Resin	PTFE	PTFE
⑦	Handle	Stainless Steel	SUS304	AISI304
⑧	Spring Washer	Stainless Steel	SUS304	AISI304
⑨	Handle Nut	Stainless Steel	SUS304	AISI304
⑩	Ball	Cast Stainless Steel	—	A351 Gr.CF8
⑪	Valve Seat	Carbon fiber-filled Fluorine Resin	PTFE	PTFE
⑫	Body Gasket	Fluorine Resin	PTFE	PTFE
⑬	Body End Cap	Cast Stainless Steel	—	A351 Gr.CF8
⑭	Body Bolt	Stainless Steel	SUS304	AISI304
⑮	Body Nut	Stainless Steel	SUS304	AISI304
⑯	Handle Stop Nut**	Stainless Steel	SUS304	AISI304
⑰	Stop Nut Bolt**	Stainless Steel	SUS304	AISI304
⑱	Spring Washer**	Stainless Steel	SUS304	AISI304



* Equivalent materials ** Sizes 15 - 50 mm, shown overleaf

Dimensions

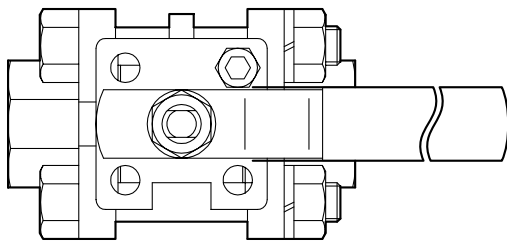
● **BV1** Screwed



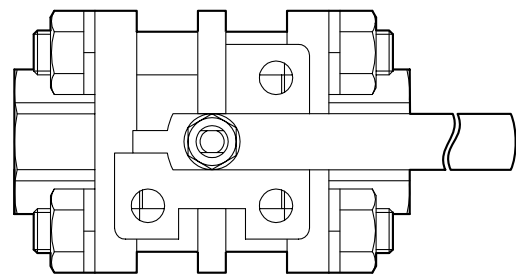
BV1 Screwed* (mm)

Size (mm)	L	H	H ₁	W	Weight (kg)
15	71	80	55	100	0.6
20	81	87	60	130	0.8
25	90	101	72	150	1.1
32	104	115	78		1.9
40	116	127	86	180	2.6
50	133	141	94		3.8
65	168	194	135	260	7.4
80	189	215	145		11

* Rc(PT), other standards available



Sizes 15 - 50 mm



Sizes 65 - 80 mm