



# PowerDyne® STEAM TRAP

## MODEL FP46UC QuickTrap®

### UNIVERSAL THERMODYNAMIC DISC TRAP WITH THERMOSTATIC AIR VENTING

#### Features

**Inline replaceable and cleanable 2-bolt universal flange steam trap with high air venting capability. For steam mains, tracers, and coils.**

1. Two-bolt flange connector, replaceable trap unit and module valve seat permit replacement in minutes without disturbing piping.
2. Universal flange allows trap to be positioned in the correct attitude, regardless of pipeline configuration.
3. Screen located in connector ensures trouble-free operation.
4. Air-jacketing reduces cycling and extends life.
5. Quick thermostatic air venting with bimetal ring for fast start-up.
6. Lapped disc provides steam-tight seal without air-binding.
7. Hardened stainless steel working surfaces.



#### Specifications

Model	FP46UC		
Connection	Screwed	Socket Weld	Flanged
Size (mm)	15, 20, 25		
Maximum Operating Pressure (MPaG)	PMO	4.6	
Minimum Operating Pressure (MPaG)	0.03		
Maximum Operating Temperature (°C)	TMO	425	
Maximum Allowable Pressure (MPaG)	PMA**	6.6 @ 40 °C	
Maximum Allowable Temperature (°C)	TMA**	425 @ 5.0 MPaG	
Maximum Back Pressure	80% of Inlet Pressure		
Connector Unit	F46		
Trap Unit	P46UC*		

\* Designed for use with F46, F32 Connector Units and V1/V2/N1P/V2P Trap Stations. 1 MPa = 10.197 kg/cm<sup>2</sup>  
Trap and Connector Units sent as separate units for flexible installation.

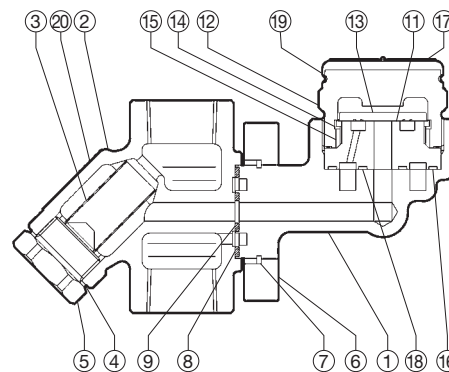
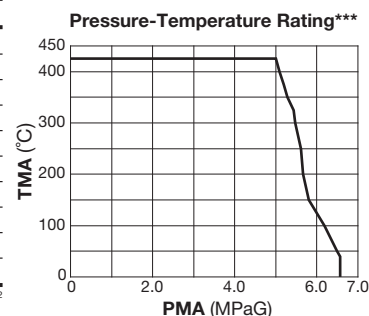
\*\* PRESSURE SHELL DESIGN CONDITIONS (NOT OPERATING CONDITIONS)

\*\*\* This Rating Graph is based on Allowable Stress Values of ASTM-Materials at each temperature.



To avoid abnormal operation, accidents or serious injury, DO NOT use this product outside of the specification range. Local regulations may restrict the use of this product to below the conditions quoted.

No.	Description	Material	JIS	ASTM/AISI*
① <sup>T</sup>	Trap Body	Cast Stainless Steel	—	A351 Gr.CF8
②	Connector Body	Cast Stainless Steel	—	A351 Gr.CF8
③ <sup>R</sup>	Screen inside/outside	Stainless Steel	SUS304/430	AISI304/430
④ <sup>MR</sup>	Screen Holder Gasket	Stainless Steel	SUS316L	AISI316L
⑤	Screen Holder	Cast Stainless Steel	—	A351 Gr.CF8
⑥ <sup>T</sup>	Connector Flange	Carbon Steel	—	A105
⑦ <sup>T</sup>	Snap Ring	Carbon Steel	SWRH57	AISI1055
⑧ <sup>MRT</sup>	Outer Connector Gasket	Graphite/Stainless Steel	- /SUS304	-/AISI304
⑨ <sup>MRT</sup>	Inner Connector Gasket	Graphite/Stainless Steel	- /SUS304	-/AISI304
⑩ <sup>T</sup>	Connector Bolt**	Carbon Steel	SNB7	A193 Gr.B7
⑪ <sup>T</sup>	Module Valve Seat	Stainless Steel	SUS420F	AISI420F
⑫ <sup>T</sup>	Cover	Stainless Steel	—	A182 F304
⑬ <sup>T</sup>	Disc	Stainless Steel	SUS420J2	AISI420
⑭ <sup>T</sup>	Disc Holder Ring	Stainless Steel	SUS420J2	AISI420
⑮ <sup>T</sup>	Air Vent Ring	Bimetal	—	—
⑯ <sup>MRT</sup>	Outer Module Gasket	Graphite/Stainless Steel	- /SUS316L	-/AISI316L
⑰ <sup>T</sup>	Nameplate	Stainless Steel	SUS304	AISI304
⑱ <sup>MRT</sup>	Inner Module Gasket	Graphite/Stainless Steel	- /SUS316L	-/AISI316L
⑲ <sup>T</sup>	Cap	Stainless Steel	SUS304	AISI304
⑳	Connector Nameplate	Stainless Steel	SUS304	AISI304
㉑	Flange***	Cast Stainless Steel	—	A351 Gr.CF8
		Stainless Steel	SUS304	AISI304

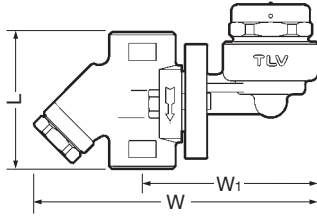


Copyright © TLV

\* Equivalent \*\* Shown on reverse \*\*\* Shown on reverse, shape and material depend on flange specifications  
Replacement kits available: (M) maintenance parts, (R) repair parts, (T) trap unit P46UC  
Replacement parts for former connector body F32 differ from those for F46.

**Dimensions**

● **FP46UC**  
Screwed

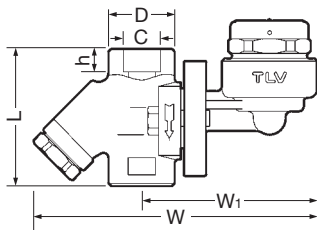


**FP46UC** Screwed\* (mm)

Size	L	W	W <sub>1</sub>	Weight (kg)
15	80	168	104	1.7
20				
25	96	172	110	2.0

\*Rc (PT), other standards available

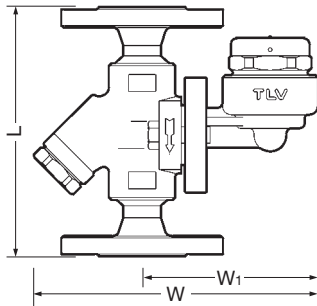
● **FP46UC**  
Socket Welded



**FP46UC** Socket Welded (mm)

Size	L	W	W <sub>1</sub>	φD	φC	h	Weight (kg)
15	80	168	104	36	22.2	12	1.7
20					27.7		
25	96	172	110	44	34.5	14	2.0

● **FP46UC**  
Flanged

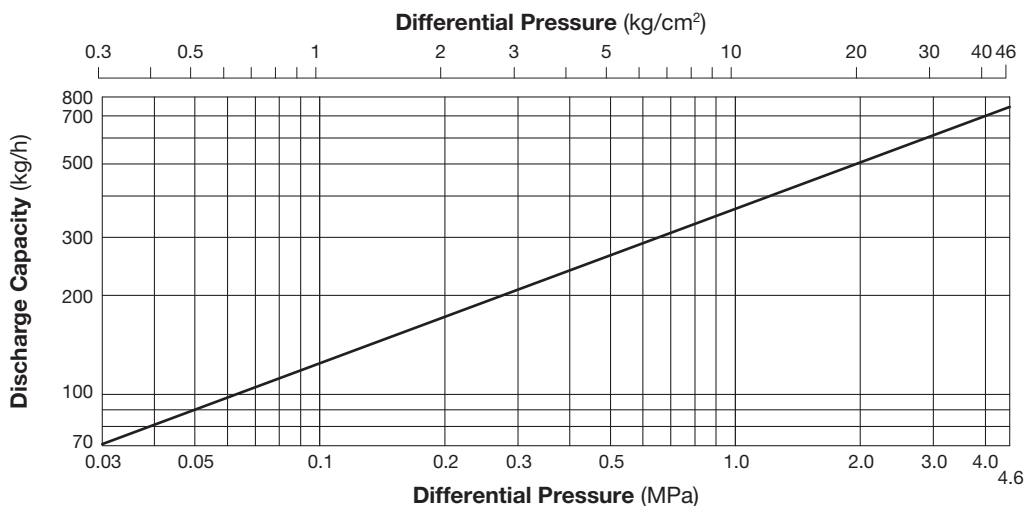


**FP46UC** Flanged (mm)

Size	L			W	W <sub>1</sub>	Weight* (kg)
	ASME Class					
	150RF	300RF	600RF			
15	150	150	180	170	105	3.8
20						5.0
25	160	160	190			5.8

Other standards available, but length and weight may vary  
\* Weight is for Class 600 RF

**Discharge Capacity**



1. Differential pressure is the difference between the inlet and outlet pressure of the trap.
2. Recommended safety factor: at least 2.

Manufacturer  
**TLV** CO., LTD.  
Kakogawa, Japan  
is approved by LRQA Ltd. to ISO 9001/14001

