



PowerDyne[®] STEAM TRAP

MODEL HR150A

THERMODYNAMIC DISC TRAP FOR HIGH PRESSURES

Features

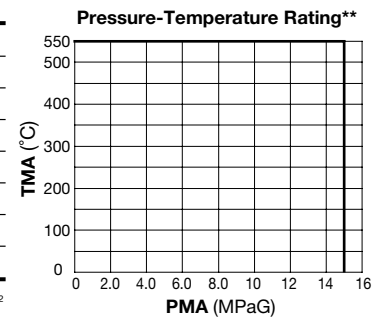
Air-jacketed disc trap for drainage of high pressure and temperature steam mains and turbines.

1. Inline replaceable valve module for ease of maintenance and low cost of repair.
2. Lapped disc provides steam-tight seal.
3. Air jacket reduces radiant heat loss to reduce no-load cycling and so extend life.
4. Built-in screen with large surface area for extended trouble-free operation.
5. Hardened working surfaces guarantee long service life.



Specifications

Model	HR150A	
Connection	Socket Welded	Flanged
Size (mm)	15, 20, 25	20, 25
Maximum Operating Pressure (MPaG) PMO	15	
Minimum Operating Pressure (MPaG)	1.6	
Maximum Operating Temperature (°C) TMO	550	
Maximum Allowable Pressure (MPaG) PMA*	15 @ 550 °C	
Maximum Allowable Temperature (°C) TMA*	550 @ 15 MPaG	
Maximum Back Pressure	50% of Inlet Pressure	



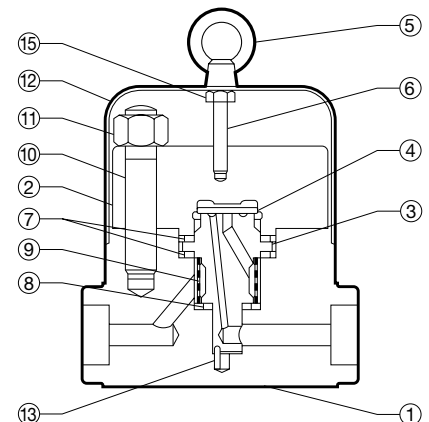
* PRESSURE SHELL DESIGN CONDITIONS (NOT OPERATING CONDITIONS) 1 MPa = 10.197 kg/cm²

** This Rating Graph is based on Allowable Stress Values of ASTM-Materials at each temperature.



To avoid abnormal operation, accidents or serious injury, DO NOT use this product outside of the specification range. Local regulations may restrict the use of this product to below the conditions quoted.

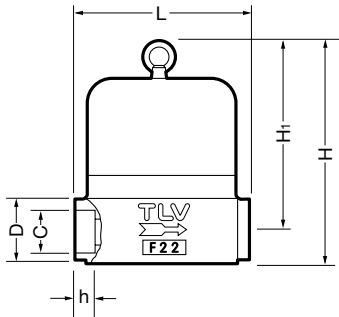
No.	Description	Material	JIS	ASTM/AISI ¹⁾
①	Body	Alloy Steel	—	A182 F22 Cl.3
		Alloy Steel (9%Cr - 1%Mo) ²⁾	—	A182 F91
② ^R	Cover	Stainless Steel	SUS420J2	AISI420
③ ^R	Module Valve Seat	Stainless Steel	SUS440C	AISI440C
④ ^R	Disc	Stainless Steel	SUS440C	AISI440C
⑤	Eye Nut	Carbon Steel	SS400	A6
⑥	Spacer	Carbon Steel	SS400	A6
⑦ ^{MR}	Module Gasket	Graphite/Stainless Steel	- /SUS309S+Cb	- /AISI309S+Cb
⑧ ^{MR}	Module Gasket	Graphite/Stainless Steel	- /SUS309S+Cb	- /AISI309S+Cb
⑨ ^R	Screen inside/outside	Stainless Steel	SUS430/304	AISI430/304
⑩	Body Bolt	Alloy Steel	SNB16	A193 Gr.B16
⑪	Cover Nut	Alloy Steel	SNB7	A193 Gr.B7
⑫	Cap	Carbon Steel	SPCC	A109
⑬ ^R	Guide Pin	Stainless Steel	SUS304	AISI304
⑭	Nameplate ³⁾	Stainless Steel	SUS304	AISI304
⑮	Hexagon Nut	Carbon Steel	SS400	A6
⑯	Flange ⁴⁾	Alloy Steel	—	A182 F22 Cl.3



¹⁾ Equivalent ²⁾ Option ³⁾ Not shown ⁴⁾ Shown on reverse
Replacement kits available: (M) maintenance parts, (R) repair parts

Dimensions

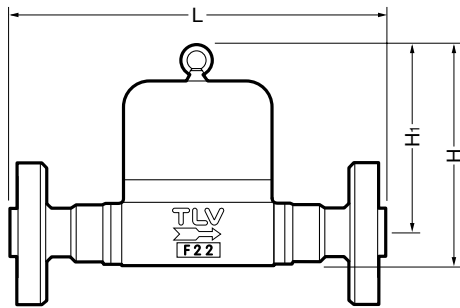
●HR150A Socket Welded



HR150A Socket Welded (mm)

Size	L	H	H ₁	φD	φC	h	Weight (kg)
15	140	189	160	53.5	22.2	14	12
20					27.7		
25					34.5		

●HR150A Flanged

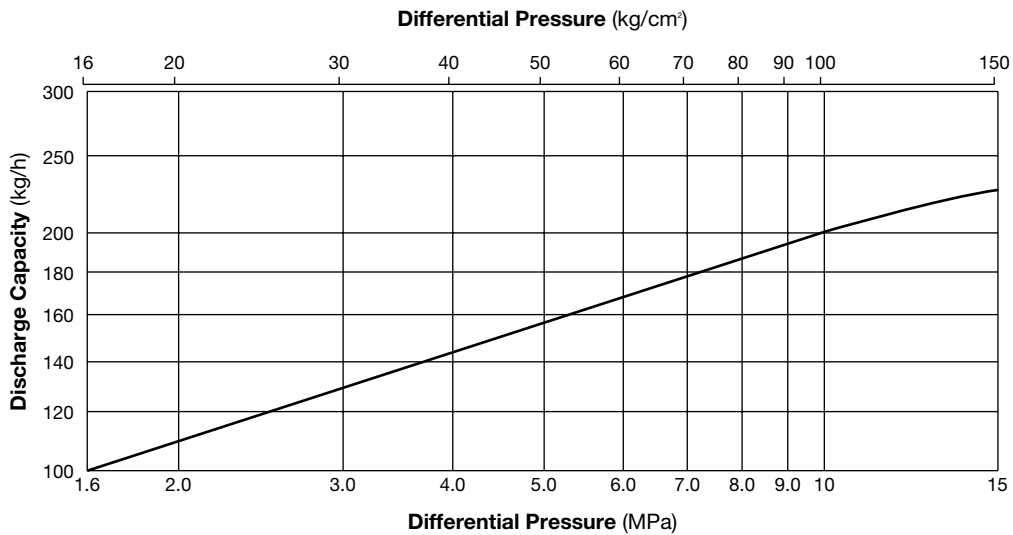


HR150A Flanged (mm)

Size	L			H	H ₁	Weight* (kg)
	ASME Class					
	600RF	900RF	1500RF			
20	320	320	320	189	160	18
25						20

Other standards available, but weight and length may vary
 * Weight is for Class 1500 RF

Discharge Capacity



1. Differential pressure is the difference between the inlet and outlet pressure of the trap.
2. Recommended safety factor: at least 2.

Manufacturer

ISO 9001/ISO 14001

TLV® CO., LTD.
 Kakogawa, Japan
is approved by LRDA Ltd. to ISO 9001/14001

