



FREE FLOAT[®] STEAM TRAP

FOR RUBBER VULCANIZERS

MODEL J3S-X S Series

FREE FLOAT STEAM TRAP WITH THREE-POINT SEATING AND THERMOSTATIC AIR VENTING

Features

A reliable and durable stainless steel steam trap with tight shut-off designed for use on rubber vulcanizers.

1. Self-modulating free float provides continuous, smooth, low velocity condensate discharge as process loads vary.
2. Precision-ground float, constant water seal and three-point seating design ensure a steam tight seal, even under no-load conditions.
3. Special thermostatic capsule (X-element) with "fail open" feature vents air automatically until close-to-steam temperature.
4. Cover plug can be removed to allow an LR3 lock release valve to be installed for combatting steam locking.
5. Drain plug allows a manual or automatic valve to be installed for condensate blowdown.
6. S1 model eliminates wire mesh from the internal screen to help avoid clogging with rust and scale.



Specifications

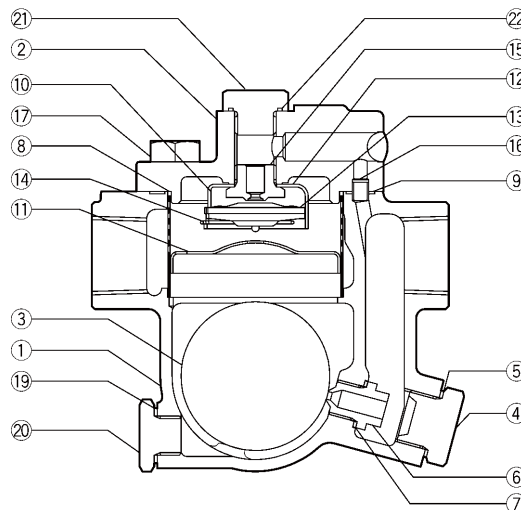
Model	J3S-X S1		J3S-X S2	
	Screwed	Flanged	Screwed	Flanged
Connection	Screwed	Flanged	Screwed	Flanged
Size (mm)	15, 20, 25			
Orifice No.	10, 14			
Maximum Operating Pressure (MPaG) PMO	1.0, 1.4			
Maximum Differential Pressure (MPa) ΔPMX	1.0, 1.4			
Minimum Operating Pressure (MPaG)	0.01			
Maximum Operating Temperature (°C) TMO	220			
Subcooling of X-element Fill (°C)	up to 11			
Type of X-element	H			
Internal Screen	φ1.2 mm punched hole with 1.8 mm pitch (equivalent to 16 mesh)		φ1.2 mm punched hole with 1.8 mm pitch + wire mesh (60 mesh)	

PRESSURE SHELL DESIGN CONDITIONS (**NOT** OPERATING CONDITIONS): Maximum Allowable Pressure (MPaG) PMA: 2.1 1 MPa = 10.197 kg/cm²
Maximum Allowable Temperature (°C) TMA: 220



To avoid abnormal operation, accidents or serious injury, DO NOT use this product outside of the specification range. Local regulations may restrict the use of this product to below the conditions quoted.

No.	Description	Material	JIS	ASTM/AISI*
①	Body	Cast Stainless Steel	—	A351 Gr.CF8
②	Cover	Cast Stainless Steel	—	A351 Gr.CF8
③	Float	Stainless Steel	SUS316L	AISI316L
④	Orifice Plug	Cast Stainless Steel	—	A351 Gr.CF8
⑤	Orifice Plug Gasket	Stainless Steel	SUS316L	AISI316L
⑥	Orifice	—	—	—
⑦	Orifice Gasket	Stainless Steel	SUS316L	AISI316L
⑧	Screen inside/outside**	Stainless Steel	SUS430/304	AISI430/304
⑨	Cover Gasket	Fluorine Resin	PTFE	PTFE
⑩	Nameplate	Stainless Steel	SUS304	AISI304
⑪	Float Cover	Stainless Steel	SUS304	AISI304
⑫	X-element Guide	Stainless Steel	SUS304	AISI304
⑬	X-element	Stainless Steel	—	—
⑭	Spring Clip	Stainless Steel	SUS304	AISI304
⑮	Air Vent Valve Seat	Stainless Steel	SUS420F	AISI420F
⑯	Connector	Stainless Steel	SUS416	AISI416
⑰	Cover Bolt	Stainless Steel	SUS304	AISI304
⑱	Flange***	Cast Stainless Steel	—	A351 Gr.CF8
⑲	Drain Plug Gasket	Stainless Steel	SUS316L	AISI316L
⑳	Drain Plug	Stainless Steel	SUS303	AISI303
㉑	Cover Plug	Stainless Steel	SUS303	AISI303
㉒	Cover Plug Gasket	Fluorine Resin	PTFE	PTFE

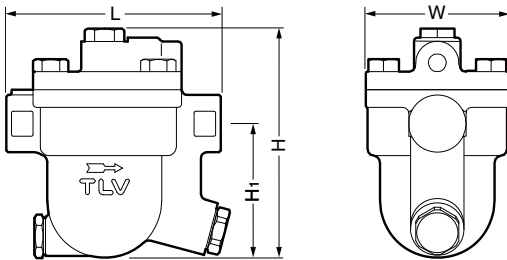


Copyright © TLV

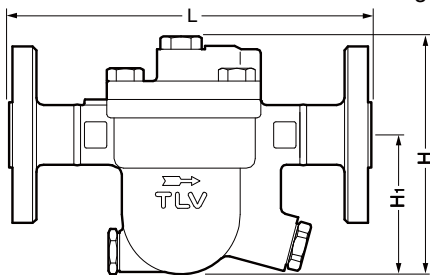
* Equivalent ** Outside screen (wire mesh) on S2 model only *** Shown on reverse

Dimensions

● **J3S-X S Series** Screwed



● **J3S-X S Series** Screwed & Flanged



J3S-X S Series Screwed* (mm)

Size	L	H	H ₁	W	Weight (kg)
15	120	130	75	80	2.5
20			72.5		2.6
25		75	2.8		

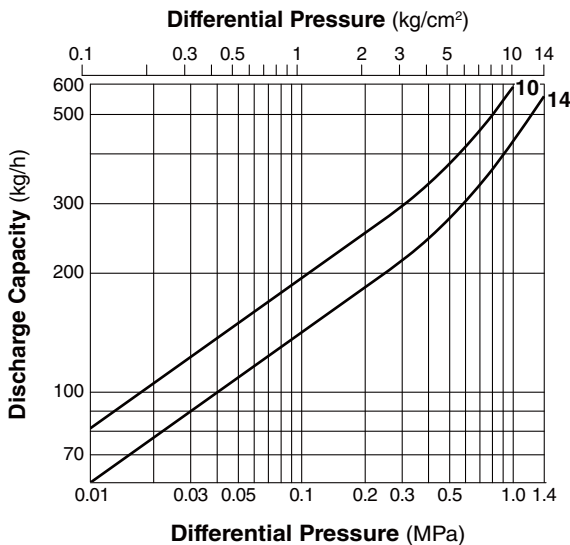
* Rc(PT); other standards available

J3S-X S Series Flanged (mm)

Size	L		H	H ₁	Weight* (kg)
	ASME Class				
	150RF	300RF			
15	195	195	130	75	3.8
20	215	215			4.8
25	235	235			5.5

Other standards available, but length and weight may vary
* Weight is for Class 300 RF

Discharge Capacity

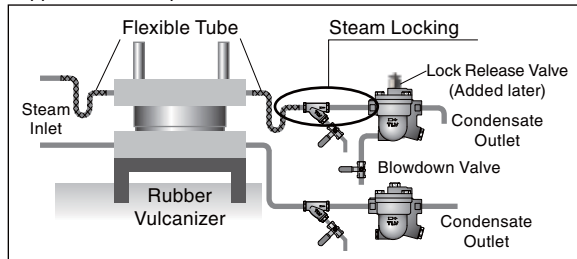


- Line numbers within the graph are orifice numbers.
- Differential pressure is the difference between the inlet and outlet pressure of the trap.
- Capacities are based on continuous discharge of condensate 6 °C below saturated steam temperature.
- Recommended safety factor: at least 1.5.

CAUTION DO NOT use this product under conditions that exceed maximum differential pressure, as condensate backup will occur!

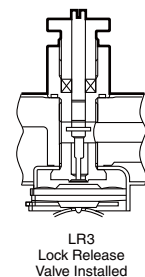
Usage

Application Example



For explanation purposes only, not intended as installation designs..

- In steam using rubber vulcanizers the heat plate moves up and down making it easy for steam locking to occur. This can result in condensate backup, which causes temperature drops. The S series has a plug in the cover that can be removed to allow an LR3 lock release valve to be installed for combating this problem. By opening the valve a tiny amount to release "locked" steam, the proper temperature can be ensured.



- A drain plug at the bottom of the body is equipped as standard. By removing the plug and installing a manual or automatic valve, condensate blowdown can be carried out when there is a temperature drop.



Note: Since the thread standard is G(PF1/4), a thread conversion fitting is needed for piping.

Manufacturer

ISO 9001/ISO 14001

TLV CO., LTD.
Kakogawa, Japan

is approved by LRQA Ltd. to ISO 9001/14001

