



# FREE FLOAT<sup>®</sup> AIR TRAP

## MODEL JA3D

### FREE FLOAT AIR TRAP WITH TIGHT SHUT-OFF FOR AIR SERVICE

#### Features

Light free-float air trap to automatically drain condensate and oil from compressed air systems.

1. Self-modulating free float provides soft, continuous, and smooth, low velocity discharge as process loads vary.
2. Perfect air-tight seal, even under low-load conditions.
3. Only one moving part, the free float, prevents concentrated wear and provides long maintenance-free service life.
4. Built-in screen with large surface area ensures extended trouble-free service.
5. Manual blow down device allows cleaning of the valve seat from outside during operation in case of oil and dirt accumulation.
6. All internal parts made of stainless steel.
7. For either horizontal or vertical installation.



#### Specifications

Model	JA3D	
Connection	Screwed	
Size (mm)	15	
Maximum Operating Pressure (MPaG)	PMO	1.6
Maximum Differential Pressure (MPa)	ΔPMX	1.6
Maximum Operating Temperature (°C)	TMO	100
Applicable Fluid*	Air	

\* Do not use for toxic, flammable or otherwise hazardous fluids.

1 MPa = 10.197 kg/cm<sup>2</sup>

PRESSURE SHELL DESIGN CONDITIONS (NOT OPERATING CONDITIONS): Maximum Allowable Pressure (MPaG) PMA: 1.6  
Maximum Allowable Temperature (°C) TMA: 100

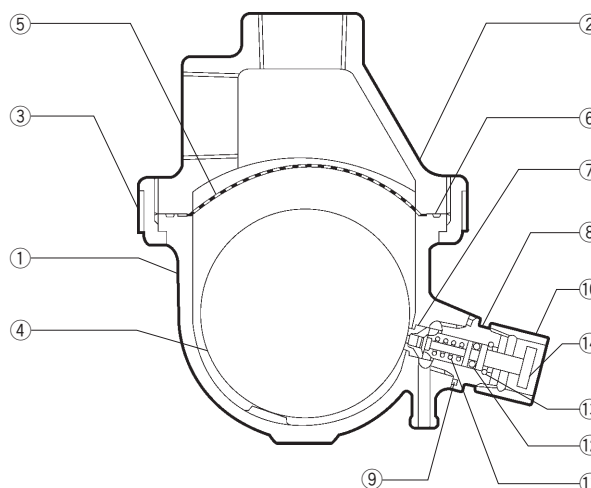


To avoid abnormal operation, accidents or serious injury, DO NOT use this product outside of the specification range. Local regulations may restrict the use of this product to below the conditions quoted.

No.	Description	Material	JIS	ASTM/AISI*
①	Body	Zinc Alloy	ZDC2	B86 AC140A
②	Cover	Zinc Alloy	ZDC2	B86 AC140A
③	Union Nut	Zinc Alloy	ZDC2	B86 AC140A
④ <sup>F</sup>	Float	Stainless Steel	SUS316L	AISI316L
⑤ <sup>R</sup>	Screen	Stainless Steel	SUS430	AISI430
⑥ <sup>MR</sup>	Cover Gasket	Nitrile Rubber	NBR	D2000BF
⑦ <sup>R</sup>	Valve Seat	Nitrile Rubber	NBR	D2000BF
⑧ <sup>R</sup>	Valve Seat Holder	Stainless Steel	SUS420F	AISI420F
⑨ <sup>MR</sup>	Holder Gasket	Fluorine Resin	PTFE	PTFE
⑩ <sup>R</sup>	Guard Bushing	Carbon Steel	SGP	A53 Type F
⑪ <sup>R</sup>	Coil Spring	Stainless Steel	SUS304	AISI304
⑫ <sup>MR</sup>	Plunger O-Ring	Nitrile Rubber	NBR	D2000BF
⑬ <sup>R</sup>	Snap Ring	Stainless Steel	SUS304	AISI304
⑭ <sup>R</sup>	Plunger	Stainless Steel	SUS416	AISI416

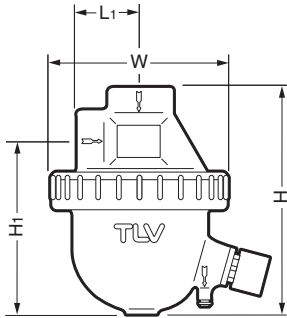
\* Equivalent

Replacement kits available: (M) maintenance parts, (R) repair parts, (F) float



**Dimensions**

● JA3D Screwed



**JA3D** Screwed\* (mm)

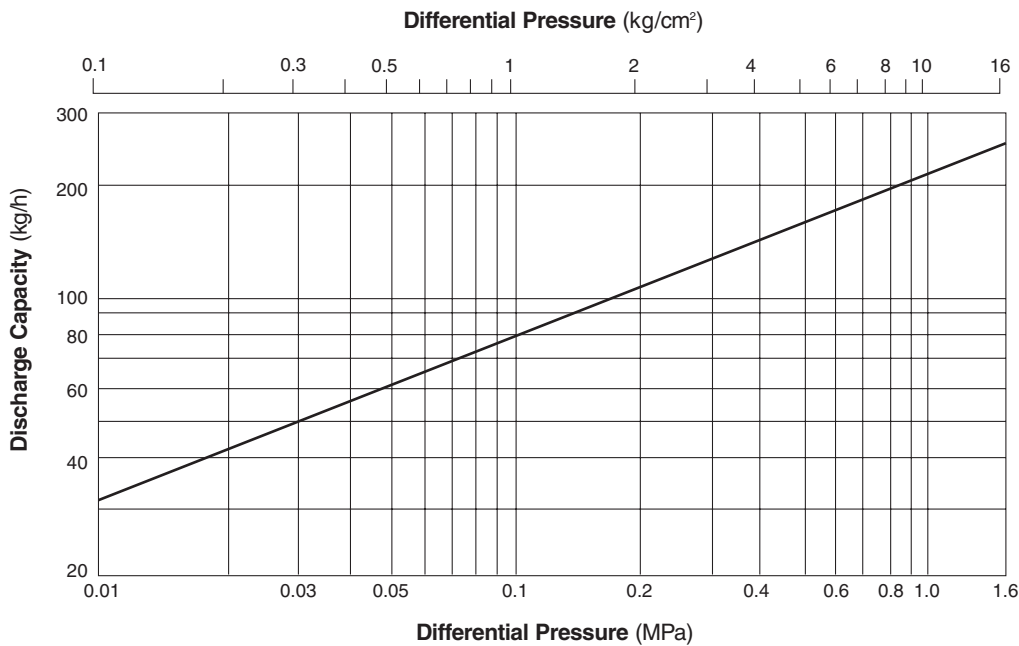
Size	L <sub>1</sub>	H	H <sub>1</sub>	φW	Weight (kg)
15	28	104	80	80	0.6

\* Rc(PT), other Standards available.

**NOTE**

A pressure-balancing line must be connected to the air system from the balancing port at the top or side of the trap to the system above any possible condensate accumulation in the system.

**Discharge Capacity**



1. Differential pressure is the difference between the inlet and outlet pressure of the trap.
2. The chart is applicable to condensate below 100 °C.
3. The discharge capacity is for a liquid with specific gravity of 1.
4. Recommended safety factor: at least 1.5.



DO NOT use traps under conditions that exceed maximum differential pressure, as condensate backup will occur!

Manufacturer  
**TLV** CO., LTD.  
 Kakogawa, Japan  
 is approved by LRQA Ltd. to ISO 9001/14001

