



PROCESS FLOAT STEAM TRAP

MODEL JL14-X/JLH14-X

HIGH-CAPACITY IRON OR STEEL FLOAT STEAM TRAP WITH THERMOSTATIC AIR VENTING

Features

Extremely durable, inline-repairable, compact float trap with thermostatic air venting for large process or heating equipment.

1. Double-seated valve with heat-treat hardened valve seat and valve head provides continuous, smooth, low-velocity condensate discharge as process loads vary.
2. Self-aligning valve mechanism with stainless steel internals minimizes wear.
3. Integral thermostatic capsule (X-element) vents air automatically until near-to-steam temperature, for rapid start-up, increased production and even heating.
4. Easy, inline access to internal parts simplifies cleaning and reduces maintenance costs.
5. High-quality stainless steel internals and hardened valve surfaces ensure reliability.



Specifications

Model	JL14-X		JLH14-X		
	Screwed	Flanged*	Screwed	Socket Welded	Flanged
Connection					
Size (mm)	80				
Orifice No.	10, 16		10, 18		
Maximum Operating Pressure (MPaG) PMO	1.0, 1.6		1.0, 1.8		
Maximum Differential Pressure (MPa) ΔPMX	1.0, 1.6		1.0, 1.8		
Minimum Operating Pressure (MPaG)	0.01				
Maximum Operating Temperature (°C) TMO	220		240 (400**)		

* JL14-X has a screwed-in flange ** Optional JLH14-B with bimetal-type air vent unit for initial air venting 1 MPa = 10.197 kg/cm²

PRESSURE SHELL DESIGN CONDITIONS (NOT OPERATING CONDITIONS):

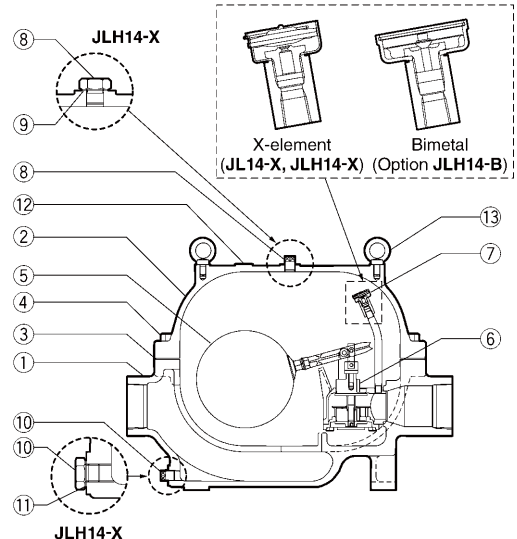
Maximum Allowable Pressure (MPaG) PMA: 1.6 (JL14-X), 3.2 (JLH14-X)

Maximum Allowable Temperature (°C) TMA: 220 (JL14-X), 400 (JLH14-X)



To avoid abnormal operation, accidents or serious injury, DO NOT use this product outside of the specification range. Local regulations may restrict the use of this product to below the conditions quoted.

No.	Description	Material	JIS	ASTM/AISI*	
①	Body	JL14-X	Cast Iron	FC250	A126 Cl. B
		JLH14-X	Cast Steel	—	A216 Gr. WCB
②	Cover	JL14-X	Cast Iron	FC250	A126 Cl. B
		JLH14-X	Cast Steel	—	A216 Gr. WCB
③	Cover Gasket	Graphite/Stainless Steel	— / SUS316L	— / AISI316L	
④	Cover Bolt	JL14-X	Carbon Steel	S45C	AISI1045
		JLH14-X	Alloy Steel	SNB7	A193 Gr. B7
⑤	Float / Lever Unit	Stainless Steel / Cast Stainless Steel	SUS316L / —	AISI316L / A351 Gr. CF8	
⑥	Trap Unit (Main Valve Unit)	Stainless Steel / Cast Stainless Steel	SUS304 / SCS2A	AISI304 / A743 Gr. CA40	
⑦	Air Vent Unit	Stainless Steel	SUS304/420F	AISI304/420F	
⑧	Cover Plug	JL14-X	Carbon Steel	SS400	A6
		JLH14-X	Carbon Steel	S25C	AISI1025
⑨	Cover Plug Gasket (JLH14-X)	Soft Iron	SUYP	AISI1010	
⑩	Drain Plug	JL14-X	Carbon Steel	SS400	A6
		JLH14-X	Carbon Steel	S25C	AISI1025
⑪	Drain Plug Gasket (JLH14-X)	Soft Iron	SUYP	AISI1010	
⑫	Nameplate	Stainless Steel	SUS304	AISI304	
⑬	Eye Bolt	Carbon Steel	SS400	A307 Gr.B	
⑭	Flange**	Carbon Steel	S25C	AISI1025	
⑮	Flange Pipe**	JL14-X	Carbon Steel	STPG370	A53 Type S Gr.A
		JLH14-X	Carbon Steel	STPT370	A106 Gr.A

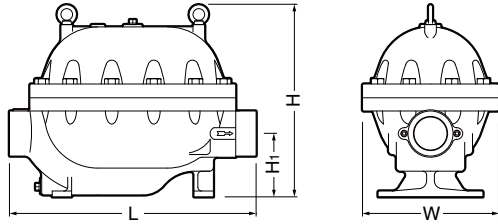


Copyright © TLV

* Equivalent ** Shown on reverse

Dimensions

● **JL14-X/JLH14-X** Screwed



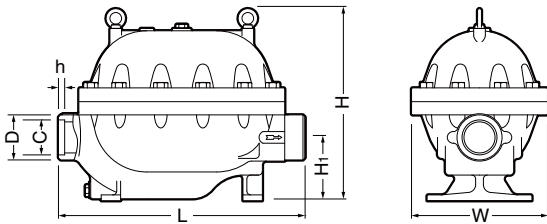
JL14-X shown.

JL14-X/JLH14-X Screwed* (mm)

Size	L	H	H ₁	W	Weight (kg)
80	635	490	163	350	107 (110)

* Rc (PT), other standards available
() Model JLH14-X

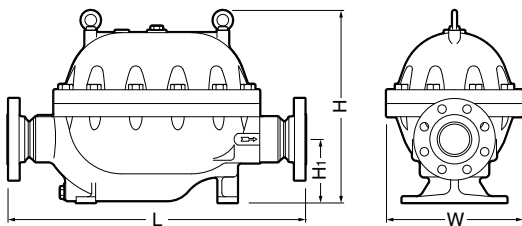
● **JLH14-X** Socket Welded



JLH14-X Socket Welded (mm)

Size	L	H	H ₁	W	φ D	φ C	h	Weight (kg)
80	635	490	163	350	105	89.8	16	110

● **JL14-X/JLH14-X** Flanged



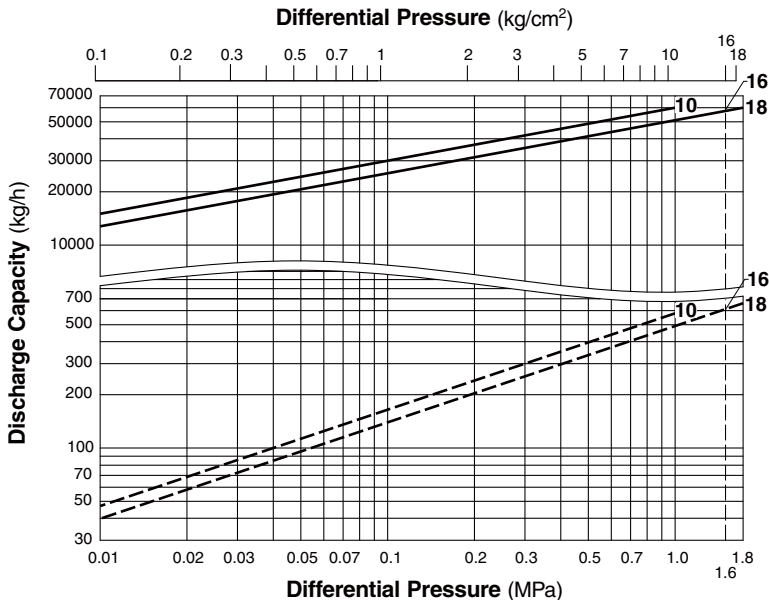
JLH14-X shown.

JL14-X*/JLH14-X Flanged (mm)

Size	L		H	H ₁	W	Weight** (kg)
	ASME Class					
	150RF	300RF				
80	766	766	490	163	350	121 (124)

Other standards available, but length and weight may vary
* JL14-X has a screwed-in flange
** Weight is for Class 300 RF
() Model JLH14-X

Discharge Capacity



- : Maximum capacity of JL14-X/JLH14-X.
- - - : Minimum amount of condensate required to prevent steam leakage.
- 1. Line numbers within the graph refer to orifice numbers.
- 2. Differential pressure is the difference between the inlet and outlet pressure of the trap.
- 3. Capacities are based on continuous discharge of condensate 6°C below saturated steam temperature.
- 4. Recommended safety factor: 1.5.



DO NOT use traps under conditions that exceed maximum differential pressure, as condensate backup will occur!

Manufacturer

ISO 9001/ISO 14001

TLV CO., LTD.
Kakogawa, Japan

is approved by LRQA Ltd. to ISO 9001/14001

