



THERMOSTATIC AIR VENT FOR STEAM

MODEL LA13L

COMPACT AIR VENT FOR STEAM WITH FAIL-OPEN FEATURE

Features

Balanced pressure thermostatic air vent with fail-open feature for steam.

1. Vents air automatically until close to steam temperature.
2. Compact yet with high capacity.
3. Reacts immediately to changes in operating conditions.
4. Easy to maintain and easy to clean.
5. Hardened stainless steel valve seat.
6. Tight shut-off.



Specifications

Model	LA13L	
Connection	Screwed	
Size (mm)	15, 20	
Maximum Operating Pressure (MPaG)	PMO	1.3
Minimum Operating Pressure (MPaG)		0.01
Maximum Operating Temperature (°C)	TMO	200
Subcooling of X-element Fill (°C)		up to 22
Type of X-element		T
Applicable Fluid*		Steam

* Do not use for toxic, flammable or otherwise hazardous fluids.

1 MPa = 10.197 kg/cm²

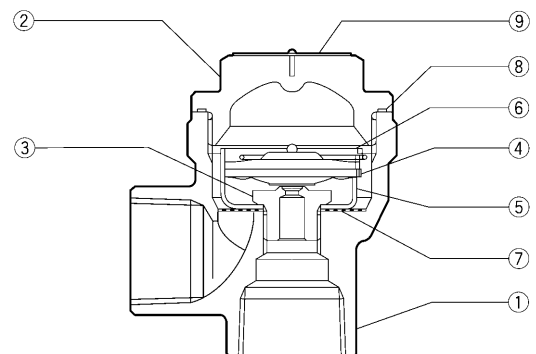
PRESSURE SHELL DESIGN CONDITIONS (**NOT** OPERATING CONDITIONS): Maximum Allowable Pressure (MPaG) PMA: 1.6
Maximum Allowable Temperature (°C) TMA: 220



To avoid abnormal operation, accidents or serious injury, DO NOT use this product outside of the specification range. Local regulations may restrict the use of this product to below the conditions quoted.

No.	Description	Material	JIS	ASTM/AISI*
①	Body	Brass	C3771	B124 C37700
②	Cover	Brass	C3771	B124 C37700
③	Valve Seat	Stainless Steel	SUS420F	AISI420F
④	X-element	Stainless Steel	—	—
⑤	X-element Guide	Stainless Steel	SUS304	AISI304
⑥	Spring Clip	Stainless Steel	SUS304	AISI304
⑦	Screen	Stainless Steel	SUS304	AISI304
⑧	Cover Gasket	Fluorine Resin	PTFE	PTFE
⑨	Nameplate	Stainless Steel	SUS304	AISI304

* Equivalent



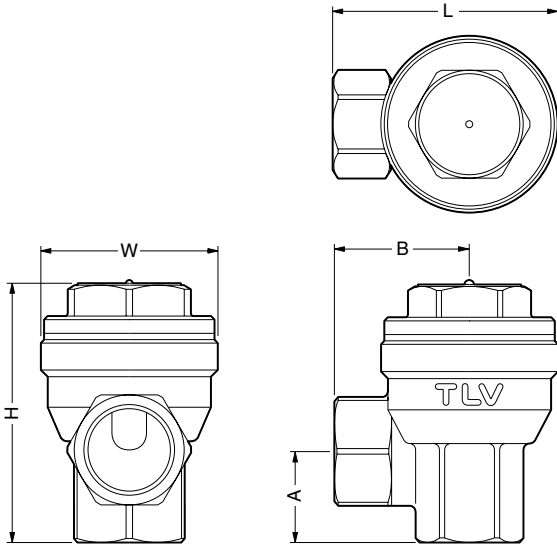
Dimensions

● **LA13L** Screwed

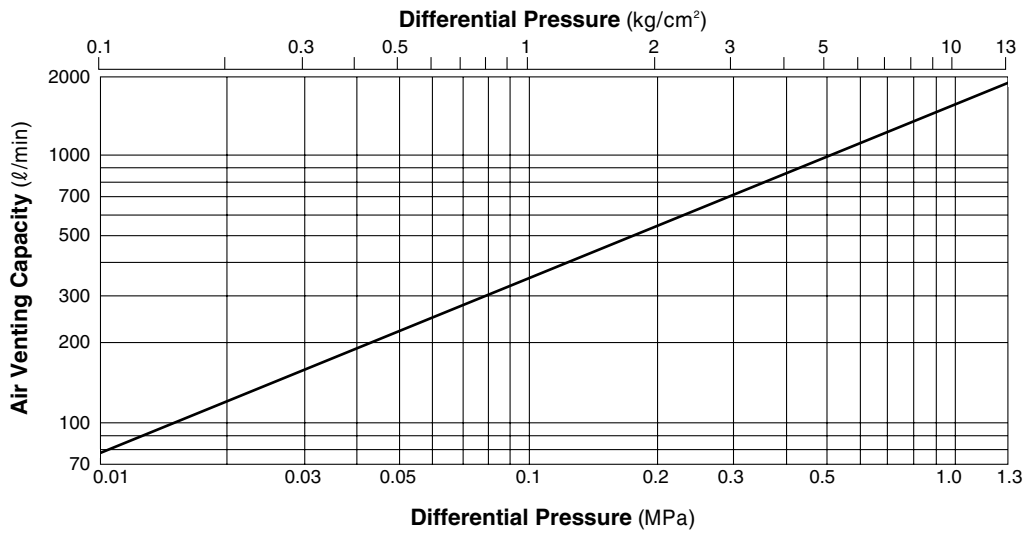
LA13L Screwed* (mm)

Size	L	H	ϕW	A	B	Weight (kg)
15	64	70	52	20	38	0.5
20	66	77		27	40	

* Rc(PT), other standards available



Air Venting Capacity



1. Differential pressure is the difference between the inlet and outlet pressure of the air vent.
2. Capacities are equivalent capacities of air at 20 °C under atmospheric pressure.

Manufacturer

ISO 9001/ISO 14001

TLV CO., LTD.
Kakogawa, Japan

is approved by LRQA Ltd. to ISO 9001/14001

