



RAPID INITIAL AIR VENT

MODEL VAS

RAPID INITIAL AIR VENT FOR WATER SYSTEMS

Features

Float-type mechanical valve for rapidly venting air from water piping systems at start-up for moderate to hot water.

1. Large orifice can vent large volumes of initial air for quick system start-up.
2. Combination of precision-ground float and valve seat with rubber contact assures seal tightness when vent is closed.
3. Only one moving part, the free float, eliminates concentrated wear and provides long maintenance-free service life.
4. Facilitates drainage of the system by introducing air when the system has to be drained.
5. Dual function as a rapid initial air vent and a vacuum breaker.



Specifications

Model		VAS	
Connection		Screwed	
Size (mm)	Inlet	20	40
	Outlet	15	25
Maximum Operating Pressure (MPaG)	PMO	1.0	
Minimum Operating Pressure (MPaG)		0.01	
Maximum Operating Temperature (°C)	TMO	100	
Applicable Fluid*		Water	

* Do not use for toxic, flammable or otherwise hazardous fluids.

1 MPa = 10.197 kg/cm²

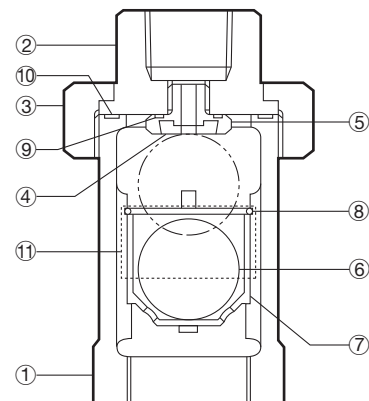
PRESSURE SHELL DESIGN CONDITIONS (**NOT** OPERATING CONDITIONS): Maximum Allowable Pressure (MPaG) PMA: 1.6
Maximum Allowable Temperature (°C) TMA: 100



To avoid abnormal operation, accidents or serious injury, DO NOT use this product outside of the specification range. Local regulations may restrict the use of this product to below the conditions quoted.

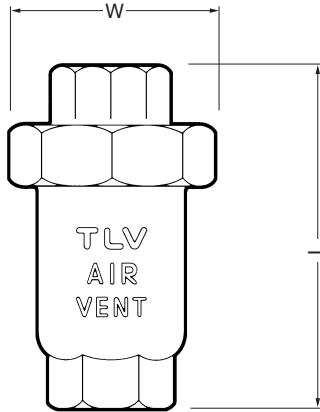
No.	Description	Material	JIS	ASTM/AISI*
①	Body	Cast Iron	FC250	A126 Cl.B
②	Union	Cast Iron	FC250	A126 Cl.B
③	Cap Nut	Cast Iron	FC250	A126 Cl.B
④	Valve Seat	Nitrile Rubber	NBR	D2000BF
⑤	Valve Seat Holder	Stainless Steel	SUS303	AISI303
⑥	Float	Stainless Steel	SUS316L	AISI316L
⑦	Float Guide	Polypropylene	PP	PP
⑧	Snap Ring	Stainless Steel	SUS304	AISI304
⑨	Valve Seat Gasket	Fluorine Resin	PTFE	PTEE
⑩	Union Gasket	Nitrile Rubber	NBR	D2000BF
⑪	Nameplate	Stainless Steel	SUS304	AISI304

* Equivalent



Dimensions

● **VAS** Screwed



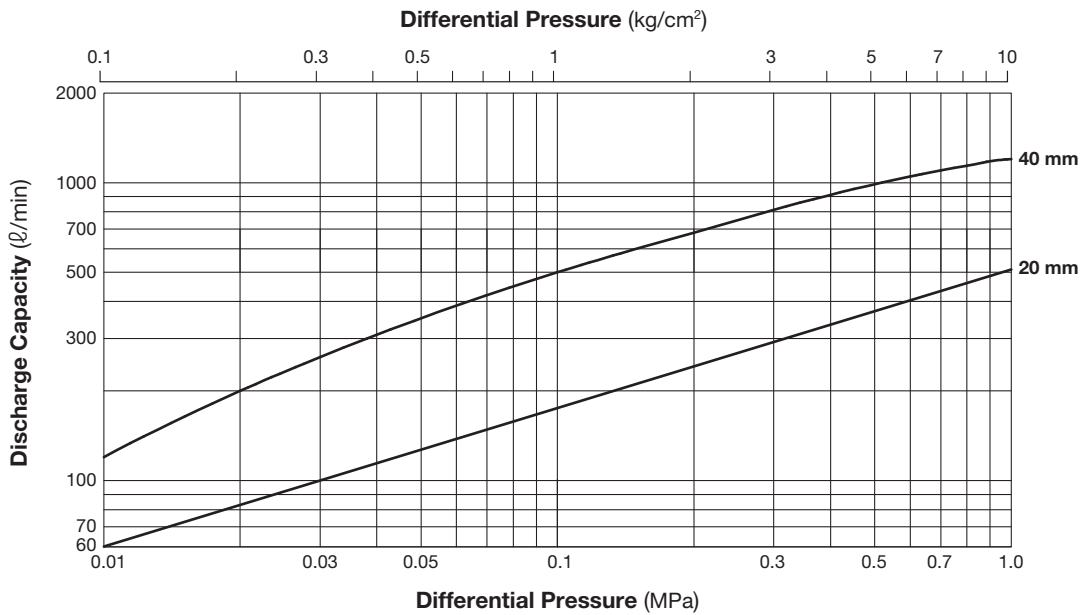
VAS Screwed* (mm)

Size		L	W**	Weight (kg)
Inlet	Outlet			
20	15	97	55 (59.5)	0.6
40	25	135	75 (81.2)	1.5

* Rc(PT), other standards available

** Face-to-face (diagonal)

Discharge Capacity



1. Differential pressure is the difference between the inlet and outlet pressure of the air vent.
2. Capacities are equivalent capacities of air at 20 °C under atmospheric pressure.



Once the valve closes after discharging initial air, it will not open again, even if air accumulates inside the product, until the internal pressure drops to near atmospheric pressure.

Manufacturer
TLV CO., LTD.
 Kakogawa, Japan
 is approved by LRQA Ltd. to ISO 9001/14001

