



FREE FLOAT® STEAM TRAP

MODEL **SJH5X** CAST STEEL
SJH5VX STAINLESS STEEL

FREE FLOAT STEAM TRAP WITH THERMOSTATIC AIR VENTING

Features

Reliable and durable steam trap with tight shut-off for use on small to medium high pressure process equipment. Models for horizontal or vertical piping installation.

1. Self-modulating free float provides continuous, smooth, low velocity condensate discharge as process loads vary.
2. Precision-ground float, constant water seal and three-point seating design ensure a steam-tight seal, even under no-load conditions.
3. Thermostatic capsule (X-element) with "fail open" feature vents air automatically until close-to-steam temperature.
4. Built-in screen with large surface area ensures extended trouble-free operation.
5. Easy, inline access to internal parts simplifies cleaning and reduces maintenance costs.



Specifications

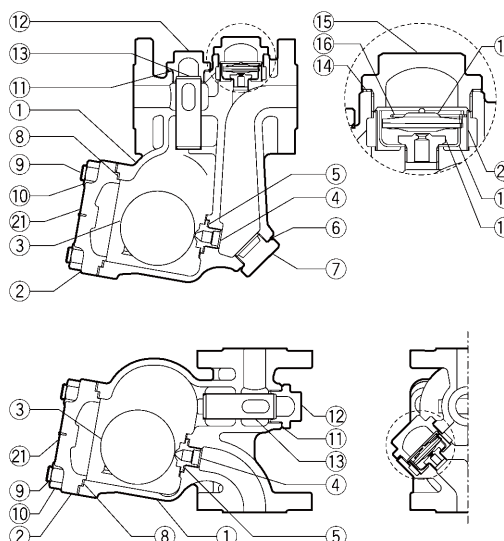
Model		SJH5NX	SJH5VX
Installation		Horizontal	Vertical
Connection		Flanged	
Size		DN 20, 25	
Orifice No.		5, 10, 14, 22, 32	
Maximum Operating Pressure (barg)	PMO	5, 10, 14, 22, 32	
Maximum Differential Pressure (bar)	ΔPMX	5, 10, 14, 22, 32	
Maximum Operating Temperature (°C)	TMO	240	
Subcooling of X-element Fill (°C)		up to 6	
Type of X-element		B	

PRESSURE SHELL DESIGN CONDITIONS (**NOT** OPERATING CONDITIONS): Maximum Allowable Pressure (barg) PMA: 40
Maximum Allowable Temperature (°C) TMA: 400
1 bar = 0.1 MPa



To avoid abnormal operation, accidents or serious injury, DO NOT use this product outside of the specification range. Local regulations may restrict the use of this product to below the conditions quoted.

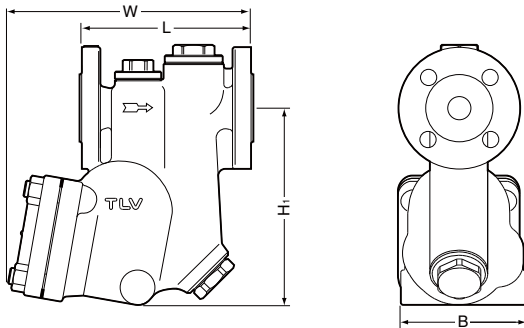
No.	Description	Material	DIN*	ASTM/AISI*
①	Body	Cast Steel A216 Gr.WCB	1.0619	—
		Cast Stainless Steel** A351 Gr.CF8	1.4312	—
		Carbon Steel A105	1.0460	—
②	Cover	Cast Stainless Steel** A351 Gr.CF8	1.4312	—
		Stainless Steel SUS316L	1.4404	AISI316L
③	Float	—	—	—
④	Orifice	—	—	—
⑤	Orifice Gasket	Graphite/Stainless Steel SUS316L	- /1.4404	- /AISI316L
⑥	Orifice Plug Gasket (SJH5NX)	Soft Iron SUYP	1.1121	AISI1010
		Stainless Steel** SUS316L	1.4404	AISI316L
⑦	Orifice Plug (SJH5NX)	Cast Stainless Steel A743 Gr.CA40	1.4027	—
		Stainless Steel SUS303**	1.4305	AISI303
⑧	Cover Gasket	Graphite/Stainless Steel SUS316L	- /1.4404	- /AISI316L
⑨	Cover Bolt	Alloy Steel SNB7	1.7225	A193 Gr.B7
		Stainless Steel** SUS304	1.4301	AISI304
		Carbon Steel S45C	1.0503	AISI1045
⑩	Cover Nut	Stainless Steel** SUS304	1.4301	AISI304
		Soft Iron SUYP	1.1121	AISI1010
⑪	Screen Holder Gasket	Stainless Steel** SUS316L	1.4404	AISI316L
		Cast Stainless Steel A351 Gr.CF8	1.4312	—
⑫	Screen Holder	—	—	—
⑬	Screen	Stainless Steel SUS430	1.4016	AISI430
⑭	X-element Cover Gasket	Soft Iron SUYP	1.1121	AISI1010
⑮	X-element Cover	Stainless Steel** SUS316L	1.4404	AISI316L
⑯	X-element	Cast Stainless Steel A351 Gr.CF8	1.4312	—
⑰	Spring Clip	Stainless Steel SUS304	1.4301	AISI304
⑱	X-element Guide	Stainless Steel	—	—
⑲	Air Vent Valve Seat	Stainless Steel SUS420F	1.4028	AISI420F
⑳	X-element Screen	Stainless Steel SUS304	1.4301	AISI304
㉑	Air Vent Screen	Stainless Steel SUS304	1.4301	AISI304
㉒	Nameplate	Stainless Steel SUS304	1.4301	AISI304



* Equivalent materials ** For stainless steel model

Dimensions

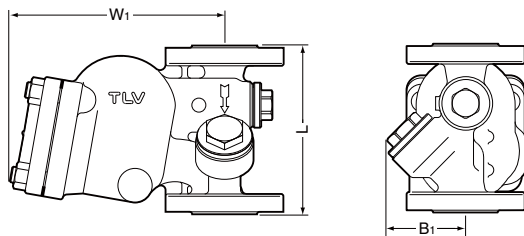
● **SJH5NX** Flanged



SJH5NX Flanged (mm)

DN	L		H ₁	W	B	Weight (kg)
	DIN 2501	PN25/40				
20	150		170	212	108	8.7
25	160			219		10

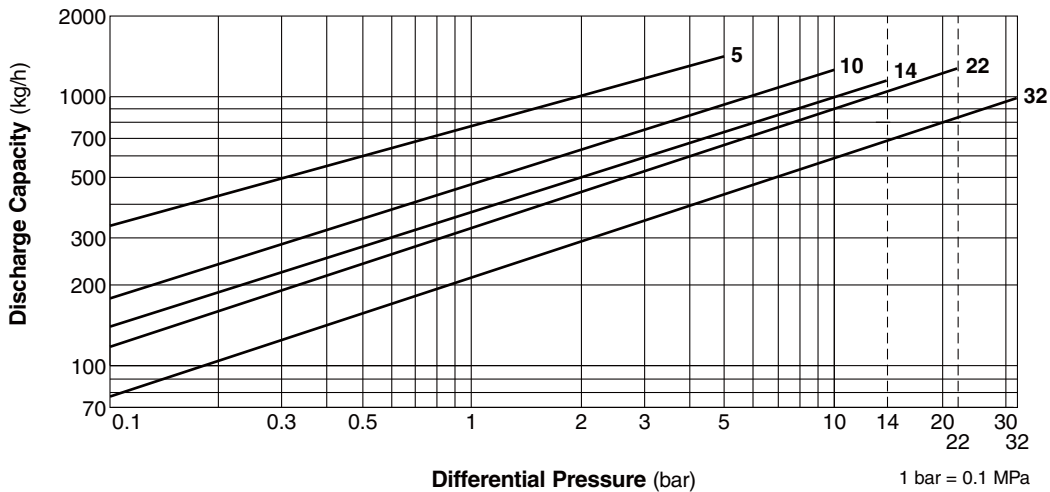
● **SJH5VX** Flanged



SJH5VX Flanged (mm)

DN	L		W ₁	B ₁	Weight (kg)
	DIN 2501	PN25/40			
20	150		191	70	7.5
25	160				9.2

Discharge Capacity



1. Line numbers within the graph refer to orifice numbers.
2. Differential pressure is the difference between the inlet and outlet pressure of the trap.
3. Capacities are based on continuous discharge of condensate 6°C below saturated steam temperature.
4. Recommended safety factor: at least 1.5.



DO NOT use traps under conditions that exceed maximum differential pressure, as condensate backup will occur!

Manufacturer

ISO 9001/ISO 14001

TLV CO., LTD.
Kakogawa, Japan

is approved by LRQA Ltd. to ISO 9001/14001

