



BALANCED PRESSURE THERMOSTATIC STEAM TRAP

MODEL LV21 STAINLESS STEEL

BALANCED PRESSURE THERMOSTATIC TRAP WITH "FAIL OPEN" DESIGN

Features

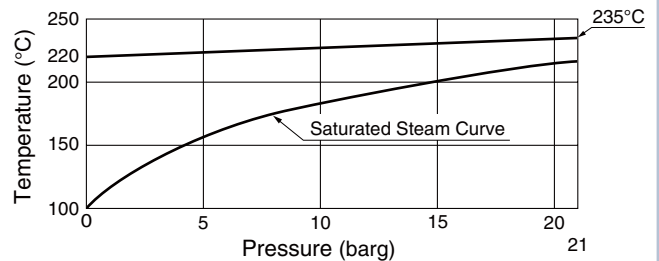
All stainless steel thermostatic trap suitable for applications where the condensate load is relatively small e.g. tracing, vessels and heaters. Preferably for vertical installation.

1. "Fail open" feature.
2. Rugged, yet light construction, withstands superheat and water hammer.
3. Cyclic operation with fixed subcooling throughout entire pressure range.
4. Outstanding air venting capability.
5. Compact, yet high capacity.
6. Easy to maintain and easy to clean.
7. Hardened stainless steel valve surfaces.
8. Built-in screen with large surface area.



Specifications

Model	LV21
Connection	Screwed
Size	1/4", 3/8", 1/2"
Max. Operating Press. (barg) PMO	21
Min. Operating Press. (barg)	0.1
Maximum Back Pressure	90% of Inlet Pressure
Max. Operating Temp. (°C) TMO	see graph at right
Subcooling of X-element Fill (°C)	up to 6 (option: up to 22)
Type of X-element	B (option: T)



1 bar = 0.1 MPa

PRESSURE SHELL DESIGN CONDITIONS (NOT OPERATING CONDITIONS):

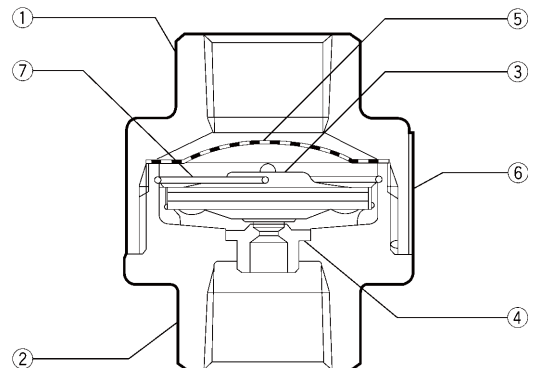
Maximum Allowable Pressure (barg) PMA: 63
 Maximum Allowable Temperature (°C) TMA: 425



To avoid abnormal operation, accidents or serious injury, DO NOT use this product outside of the specification range. Local regulations may restrict the use of this product to below the conditions quoted.

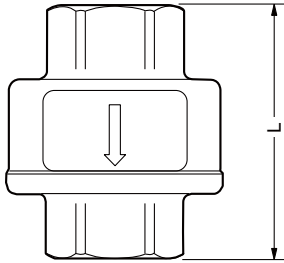
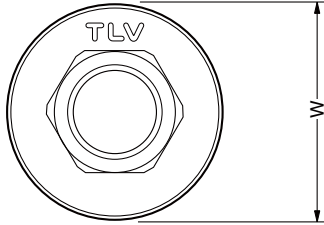
No.	Description	Material	DIN*	ASTM/AISI*
①	Body Upper Part	Cast Stainless Steel A351 Gr.CF8	1.4312	—
②	Body Lower Part	Cast Stainless Steel A351 Gr.CF8	1.4312	—
③	X-element	Stainless Steel	—	—
④	Valve Seat	Stainless Steel SUS630	1.4542	AISI630
⑤	Screen	Stainless Steel SUS304	1.4301	AISI304
⑥	Nameplate	Stainless Steel SUS304	1.4301	AISI304
⑦	Spring Clip	Stainless Steel SUS304	1.4301	AISI304

* Equivalent materials



Dimensions

● LV21 Screwed

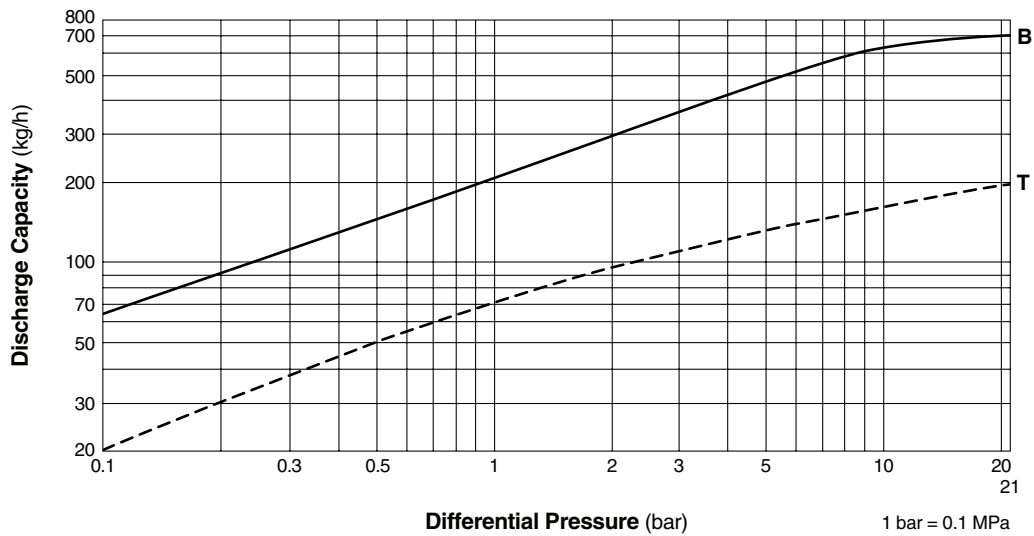


LV21 Screwed* (mm)

Size	L	φ W	Weight (kg)
1/4"	55	47	0.4
3/8"			
1/2"			

* BSP DIN 2999, other standards available

Discharge Capacity



1. Differential pressure is the difference between the inlet and outlet pressure of the trap.
2. Recommended safety factor: 2.

Manufacturer

ISO 9001/ISO 14001

TLV CO., LTD.
Kakogawa, Japan

is approved by LRQA Ltd. to ISO 9001/14001

