



FREE FLOAT[®] STEAM TRAP

MODEL SJH5 CAST STEEL

FREE FLOAT STEAM TRAP WITH THERMOSTATIC AIR VENTING

Features

Reliable and durable steam trap with tight shut-off for use on small to medium high pressure, high temperature process equipment. Models for horizontal or vertical piping installation.

1. Self-modulating free float provides continuous, smooth, low velocity condensate discharge as process loads vary.
2. Precision-ground float, constant water seal and three-point seating design ensure a steam-tight seal, even under no-load conditions.
3. Thermostatic bimetal air vent valve vents air automatically for rapid startup.
4. Built-in screen with large surface area ensures extended trouble-free operation.
5. Easy, inline access to internal parts simplifies cleaning and reduces maintenance costs.



Specifications

Model	SJH5N		SJH5V
Installation	Horizontal		Vertical
Connection	Flanged PN 63		Flanged PN25/40
Size	DN 25		DN 20, 25
Orifice No.	32, 46		5, 10, 14, 22, 32
Maximum Operating Pressure (barg) PMO	32, 46		5, 10, 14, 22, 32
Maximum Differential Pressure (bar) Δ PMX	32, 46		5, 10, 14, 22, 32
Maximum Operating Temperature (°C) TMO	400		400

PRESSURE SHELL DESIGN CONDITIONS (NOT OPERATING CONDITIONS):
Maximum Allowable Pressure (barg) PMA: 40 (65 for PN63 flange connection)
Maximum Allowable Temperature (°C) TMA: 400

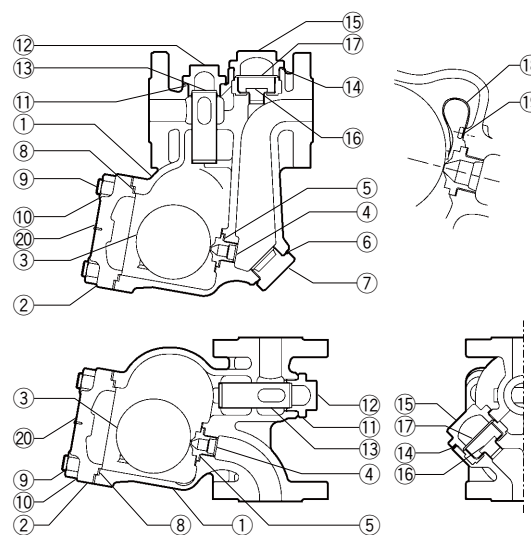
1 bar = 0.1 MPa



To avoid abnormal operation, accidents or serious injury, DO NOT use this product outside of the specification range. Local regulations may restrict the use of this product to below the conditions quoted.

No.	Description	Material	DIN*	ASTM/AISI*	
①	Body	PN 25/40	Cast Steel A216 Gr.WCB	1.0619	—
		PN 63	Cast Steel A217 Gr.WC6	1.7357	—
②	Cover	PN 25/40	Carbon Steel A105	1.0460	—
		PN 63	Cast Steel A217 Gr.WC6	1.7357	—
③	Float	Stainless Steel SUS316L	1.4404	AISI316L	
④	Orifice	—	—	—	
⑤	Orifice Gasket	Graphite/Stainl. Stl. SUS316L	—/1.4404	—/AISI316L	
⑥	Orifice Plug Gasket (SJH5N)	Soft Iron SUYP	1.1121	AISI1010	
⑦	Orifice Plug (SJH5N)	Cast Stainl. Stl. A743 Gr.CA40	1.4027	—	
⑧	Cover Gasket	Graphite/Stainl. Stl. SUS316L	—/1.4404	—/AISI316L	
⑨	Cover Bolt	Alloy Steel SNB7	1.7225	A193 Gr.B7	
⑩	Cover Nut	Carbon Steel S45C	1.0503	AISI1045	
⑪	Screen Holder Gasket	Soft Iron SUYP	1.1121	AISI1010	
⑫	Screen Holder	Cast Stainl. Stl. A351 Gr.CF8	1.4312	—	
⑬	Screen	Stainless Steel SUS430	1.4016	AISI430	
⑭	Plug Cover Gasket	Soft Iron SUYP	1.1121	AISI1010	
⑮	Plug Cover	Cast Stainl. Stl. A351 Gr.CF8	1.4312	—	
⑯	Plug	Stainless Steel SUS420F	1.4028	AISI420F	
⑰	Guide	Stainless Steel SUS304	1.4301	AISI304	
⑱	Air Vent Strip	Bimetal	—	—	
⑲	Screw with Washer	Stainless Steel SUS304	1.4301	AISI304	
⑳	Nameplate	Stainless Steel SUS304	1.4301	AISI304	

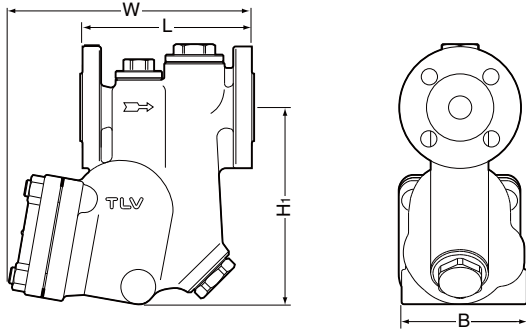
* Equivalent materials



Copyright © TLV

Dimensions

● **SJH5N Flanged**

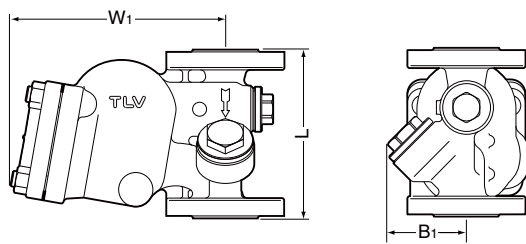


SJH5N Flanged (mm)

DN	L		H ₁	W	B	Weight (kg)
	DIN 2501	PN63				
20	150	—	170	212	108	8.7
25	160	175	170 (188)	219 (228)		10 (11)

() PN63

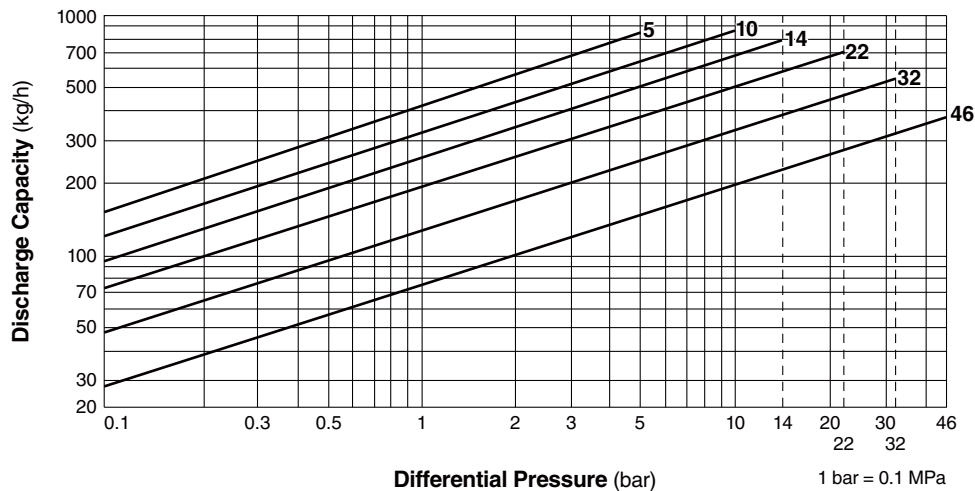
● **SJH5V Flanged**



SJH5V Flanged (mm)

DN	L	W ₁	B ₁	Weight (kg)
	DIN 2501 PN25/40			
20	150	191	70	7.5
25	160			9.2

Discharge Capacity



1. Line numbers within the graph refer to orifice numbers.
2. Differential pressure is the difference between the inlet and outlet pressure of the trap.
3. Capacities are based on continuous discharge of condensate 6 °C below saturated steam temperature.
4. Recommended safety factor: at least 1.5.

CAUTION DO NOT use traps under conditions that exceed maximum differential pressure, as condensate backup will occur!

Manufacturer

ISO 9001/ISO 14001

TLV CO., LTD.
Kakogawa, Japan

is approved by LRQA Ltd. to ISO 9001/14001

