

ISO 9001  
ISO14001



Manufacturer

**TLV** CO., LTD.

Kakogawa, Japan

is approved by LRQA Ltd. to ISO 9001:2001



# Instruction Manual

001

---

**(Information for Use in Hazardous Locations)**

**VibLight**

Vibration Sensor: VL1-LE-VMS

172-65881M-00

Publication date 22 July 2025

Copyright © 2025 TLV CO., LTD.

# Table of Contents

Introduction ..... 3

Safety Considerations ..... 4

Conditions of safe use (Information for use in hazardous locations) ..... 7

Part Names ..... 8

Installation ..... 9

Replacing the Battery ..... 10

Specifications ..... 11

TLV EXPRESS LIMITED WARRANTY ..... 12

Service ..... 14

# Introduction

Thank you for purchasing the TLV VibLight.

This product has been thoroughly inspected before being shipped from the factory. When the product is delivered, before doing anything else, check the specifications and external appearance to make sure nothing is out of the ordinary. Also be sure to read this manual carefully before use and follow the instructions to be sure of using the product properly.

To ensure safe and correct use of this product, be sure to observe the safety precautions listed in this manual as they relate to installation, operation, maintenance and repair of the product. Please keep it in a safe place for future reference.

TLV accepts no responsibility for incorrect use of the product by the customer or any third-party, malfunction occurring during use, other defects and any damage caused by this product, excluding cases in which it is under obligation to pay reparations by law.

This product has undergone strict quality management and product inspection before being shipped from the factory. However, in the event of malfunction or defects, please contact your local TLV representative or the TLV customer service center.

This instruction manual and product are subject to modification without notice, for the purpose of improvement.

Unauthorized reprinting or reproduction, in whole or in part, of this instruction manual or contents of the hardware/software of the product is strictly prohibited.

This instruction manual contains information for use in hazardous locations. Be sure to read this instruction manual carefully before installing in hazardous locations. Please use correctly and safely.

# Safety Considerations

- Read this section carefully before use and be sure to follow the instructions.
- Installation, inspection, maintenance, repairs, disassembly, adjustment and valve opening/closing should be carried out only by trained maintenance personnel.
- The precautions listed in this manual are designed to ensure safety and prevent equipment damage and personal injury. For situations that may occur as a result of erroneous handling, three different types of cautionary items are used to indicate the degree of urgency and the scale of potential damage and danger: DANGER, WARNING and CAUTION.
- The three types of cautionary items above are very important for safety: be sure to observe all of them as they relate to installation, use, maintenance and repair. Furthermore, TLV accepts no responsibility for any accidents or damage occurring as a result of failure to observe these precautions.

## Cautionary items and definitions



### Danger

Indicates an urgent situation which poses a threat of death or serious injury



### Warning

Indicates that there is a potential threat of death or serious injury



### Caution

Indicates that there is a possibility of injury or equipment/product damage

## General Precautions



### Danger

**DO NOT disassemble or modify.** Failure to observe this precaution could result in personal injury, electrocution, ignition or fire.



### Danger

**DO NOT open when an explosive atmosphere is present.** The cover is not intended to be opened when an explosive atmosphere is present. The cover must be opened when an explosive atmosphere is not present or it must be opened in a non-hazardous location.



### Danger

**DO NOT use batteries other than those specified.** Failure to observe this precaution could result in failure, ignition, or explosions.



### Danger

**DO NOT wipe/rub the surfaces of this product with a dry cloth etc.** There is the danger of electrostatically charging the unit, which may result in ignition or explosions, especially in hazardous locations.



### Danger

**DO NOT wipe/rub the surfaces of this product with a dry cloth etc.** There is the danger of electrostatically charging the unit, which may result in ignition or explosions, especially in explosive atmospheres.



### Danger

**DO NOT use this product in hospitals or airplanes.** Failure to observe this precaution could result in malfunction of medical equipment, instrumentation, etc.

**Danger**

**Ensure the specifications for the intrinsically safe structure of this product meet the requirements for installation in hazardous locations.** Specifications for the intrinsically safe structure of this product are described in the "Specifications" section.

**Danger**

**Aluminum is used in this product. Do not expose the product to impact or friction.** Exposure to impact or friction may result in ignition or accidental explosions.

**Danger**

**When installing or working at high elevations, take measures to ensure against dropping the product or parts.** Failure to take such measures could result in personal injury if persons passing below are struck by a falling object, or other accidents.

**Danger**

**Check to make sure that no wireless instrumentation other than the product is being used.** Failure to observe this precaution could lead to interference of important transmissions or accidents.

**Danger**

**The equipment contains non-metallic materials and that the user should consider the performance of these materials with respect to chemicals which may be present in the hazardous area. If in doubt, please contact the manufacturer.**

**Warning**

**As this is an industrial product, it is not to be used on consumer applications nor in residential areas.**

**Warning**

**DO NOT substitute components, as this may impair the intrinsic safety of the product.**

**Warning**

**DO NOT install this product on objects exceeding maximum allowable operating temperature.** Overheating could result in damage to internal parts, excessive heat generation, rupture or ignition.

**Warning**

**DO NOT subject the unit to strong shocks or throw it against anything.** Failure to observe this precaution could result in damage to internal parts, excessive heat generation, rupture, ignition or personal injury.

**Warning**

**DO NOT place device in microwave ovens or high-pressure vessels, or in the vicinity of electromagnetic devices.** Such handling could result in excessive heat generation, smoke, damage to circuitry, battery fluid leakage, rupture or ignition.

**Caution**

**Do not allow any foreign matter to enter the unit. In areas with small foreign matter such as metal dust, use the product after taking measures to prevent foreign matter entering the unit.** Failure to observe this precaution could result in fire or malfunction.

**Caution**

**Do not let the unit become immersed in water.** If liquid gets inside the unit, it may result in excessive heat generation, electrical shock or unit malfunction. Be mindful of the location of use and handling.

## Battery Precautions



### Danger

**DO NOT apply heat to the battery or throw it into a fire.** Failure to observe this precaution could result in leakage of the battery fluid, excessive heat generation, rupture or ignition.



### Danger

**DO NOT cause the battery to become wet by immersing in water, salt water or liquid chemicals.** Failure to observe this precaution could result in leakage of the battery fluid, excessive heat generation, rupture or ignition.



### Danger

**DO NOT leave the product where it will be exposed to direct sunlight or in areas that will become very hot, such as interiors of cars, near heating equipment, etc.** Failure to observe this precaution could result in leakage of the battery fluid, excessive heat generation, rupture or ignition.



### Danger

**DO NOT replace the battery when an explosive atmosphere is present.** The battery pack is not intended to be replaced when an explosive atmosphere is present. The battery pack must be replaced when an explosive atmosphere is not present or it must be replaced in a non hazardous location.



### Danger

**If fluid leaks from the battery and gets in the eyes, flush it out. There is a danger of loss of vision.** Do not rub the eyes, and after immediately flushing out thoroughly with clean water, see a doctor.



### Warning

**Cease use of the battery immediately if the product exhibits abnormal operation.** If irregularities such as fluid leakage, an unusual smell, unusual heat generation, discoloration or deformation are noticed, cease use of the product immediately. If use is continued under such conditions, excessive heat generation, ignition or rupture may result.



### Warning

**If battery fluid leaks and comes into contact with the body, rinse immediately.** There is danger of resultant damage to the skin. Immediately rinse any battery fluid off with clean water and seek medical care.



### Caution

**Do not dispose of the battery with normal garbage.** If at any time the battery becomes unusable, observe your company regulations for proper disposal in accordance with local laws. If proper disposal is impossible, insulate the contact terminals by covering them with tape and return them to a TLV office.



### Caution

**Always replace with a new battery.** Using a used battery may result in inaccurate calculation of remaining battery life.



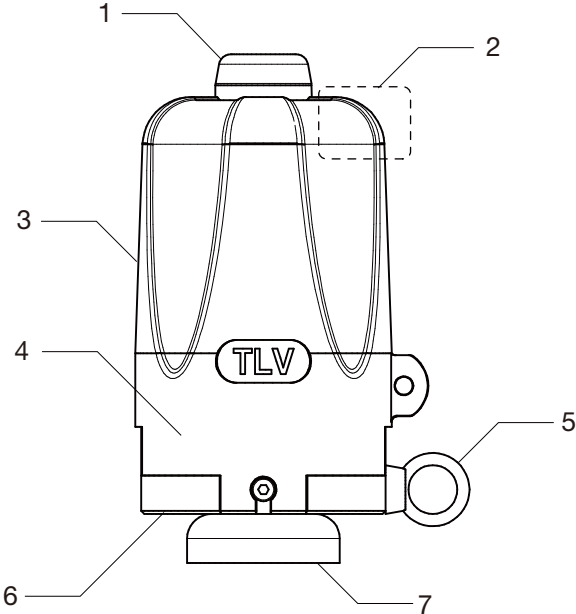
### Caution

**When replacing the battery, do not modify or remove the circuit board.** Always use a new battery, as using a used one may lead to incorrect estimation of the remaining battery life.

## Conditions of safe use (Information for use in hazardous locations)

- Under certain extreme circumstances, the non-metallic parts incorporated in the enclosure of this equipment may generate an ignition-capable level of electrostatic charge. Therefore, the equipment shall not be installed in a location where the external conditions are conducive to the build-up of electrostatic charge on such surfaces. In addition, the equipment shall only be cleaned with a damp cloth.

# Part Names



| No. | Part Name                        | No. | Part Name                                  |
|-----|----------------------------------|-----|--|
| 1   | Indicator Lamp (Resin)           | 5   | Fall Prevention Eye Bolt (Stainless Steel) |
| 2   | Magnetic Start Switch (Internal) | 6   | Base (Aluminum Alloy)                      |
| 3   | Cover (Resin)                    | 7   | Mounting Magnet (Metal)                    |
| 4   | Nameplate Mounting Position      |     |  |

# Installation



## **Danger**

**Ensure the specifications for the intrinsically safe structure of this product meet the requirements for installation in hazardous locations.** Specifications for the intrinsically safe structure of this product are described in the "Specifications" section.

**Aluminum is used in this product. Do not expose the product to impact or friction.** Exposure to impact or friction may result in ignition or accidental explosions.

**DO NOT wipe/rub the surfaces of this product with a dry cloth etc.** There is the danger of electrostatically charging the unit, which may result in ignition or explosions, especially in explosive atmospheres.

**The equipment contains non-metallic materials and that the user should consider the performance of these materials with respect to chemicals which may be present in the hazardous area. If in doubt, please contact the manufacturer.**

Slowly bring the magnetic base close to the metal surface and make sure it is securely attached.

# Replacing the Battery



## Danger

**DO NOT replace the battery when an explosive atmosphere is present.** The battery pack is not intended to be replaced when an explosive atmosphere is present. The battery pack must be replaced when an explosive atmosphere is not present or it must be replaced in a non hazardous location.

**Do not wipe/rub the surfaces of this product with a dry cloth etc.** There is the danger of electrostatically charging the unit, which may result in ignition or explosions, especially in hazardous locations.

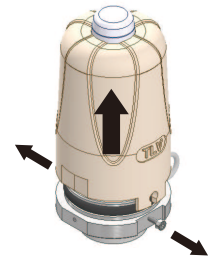


## Caution

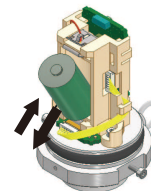
**Always replace with a new battery.** Using a used battery may result in inaccurate calculation of remaining battery life.

**When replacing the battery, do not modify or remove the circuit board.** Always use a new battery, as using a used one may lead to incorrect estimation of the remaining battery life.

1. Loosen two set screws and remove the cover by pulling it upward.

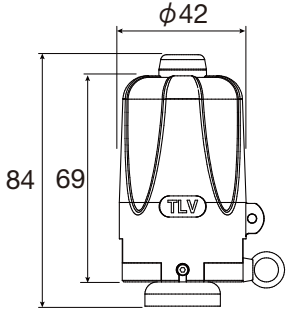


2. Remove the battery.



3. Insert a new battery.
4. Replace the packing and coat surfaces with grease. Place the cover back on and tighten the cover screw with a hex key, clockwise as viewed from above. Follow local regulations when disposing of used battery packs.

# Specifications

|  |  |
|--|--|
| Type   | VibLight   |
| Model  | VL1-LE-VMS   |
| Classification markings of hazardous locations | Ex ic IIC T4 Gc<br>(Certificate No.: IECEX CML 25.0088X)   |
| Applicable standards                           | IECEX: IEC 60079-0:2017, IEC 60079-11:2011   |
| Power source                                   | Primary battery<br>Lithium thionyl chloride battery<br>Model: XL-050F (XENO), SB-AA02 (Tekcell)<br>Rated voltage: 3.6 V<br>Size: 1/2AA |
| Protection class                               | IP65 (Evaluation for intrinsic safety rating is carried out under IP20)  |
| Ambient temperature range                      | -20 to 60 °C   |
| Material                                       | Cover: Resin<br>Base: Aluminum   |
| Dimensions                                     |  <p>(Unit: mm)</p>                                  |
| Weight   | Approx. 130 g (including the battery)  |

# TLV EXPRESS LIMITED WARRANTY

Subject to the limitations set forth below, TLV CO., LTD., a Japanese corporation ("**TLV**"), warrants that products which are sold by it, TLV International Inc. ("**TII**") or one of its group companies excluding TLV Corporation (a corporation of the United States of America), (hereinafter the "**Products**") are designed and manufactured by TLV, conform to the specifications published by TLV for the corresponding part numbers (the "**Specifications**") and are free from defective workmanship and materials. The party from whom the Products were purchased shall be known hereinafter as the "**Seller**". With regard to products or components manufactured by unrelated third parties (the "**Components**"), TLV provides no warranty other than the warranty from the third party manufacturer(s), if any.

## Exceptions to Warranty

This warranty does not cover defects or failures caused by:

1. improper shipping, installation, use, handling, etc., by persons other than TLV, TII or TLV group company personnel, or service representatives authorized by TLV; or
2. dirt, scale or rust, etc.; or
3. improper disassembly and reassembly, or inadequate inspection and maintenance by persons other than TLV or TLV group company personnel, or service representatives authorized by TLV; or
4. disasters or forces of nature or Acts of God; or
5. abuse, abnormal use, accidents or any other cause beyond the control of TLV, TII or TLV group companies; or
6. improper storage, maintenance or repair; or
7. operation of the Products not in accordance with instructions issued with the Products or with accepted industry practices; or
8. use for a purpose or in a manner for which the Products were not intended; or
9. use of the Products in a manner inconsistent with the Specifications; or
10. use of the Products with Hazardous Fluids (fluids other than steam, air, water, nitrogen, carbon dioxide and inert gases (helium, neon, argon, krypton, xenon and radon)); or
11. failure to follow the instructions contained in the TLV Instruction Manual for the Product.

## Duration of Warranty

This warranty is effective for a period of one (1) year after delivery of Products to the first end user. Notwithstanding the foregoing, asserting a claim under this warranty must be brought within three (3) years after the date of delivery to the initial buyer if not sold initially to the first end user.

ANY IMPLIED WARRANTIES NOT NEGATED HEREBY WHICH MAY ARISE BY OPERATION OF LAW, INCLUDING THE IMPLIED WARRANTIES OF MERCHANTABILITY AND FITNESS FOR A PARTICULAR PURPOSE AND ANY EXPRESS WARRANTIES NOT NEGATED HEREBY, ARE GIVEN SOLELY TO THE INITIAL BUYER AND ARE LIMITED IN DURATION TO ONE (1) YEAR FROM THE DATE OF SHIPMENT BY THE SELLER.

## Exclusive Remedy

THE EXCLUSIVE REMEDY UNDER THIS WARRANTY, UNDER ANY EXPRESS WARRANTY OR UNDER ANY IMPLIED WARRANTIES NOT NEGATED HEREBY (INCLUDING THE IMPLIED WARRANTIES OF MERCHANTABILITY AND FITNESS FOR A PARTICULAR PURPOSE), IS **REPLACEMENT**; PROVIDED: (a) THE CLAIMED DEFECT IS

REPORTED TO THE SELLER IN WRITING WITHIN THE WARRANTY PERIOD, INCLUDING A DETAILED WRITTEN DESCRIPTION OF THE CLAIMED DEFECT AND HOW AND WHEN THE CLAIMED DEFECTIVE PRODUCT WAS USED; AND (b) THE CLAIMED DEFECTIVE PRODUCT AND A COPY OF THE PURCHASE INVOICE IS RETURNED TO THE SELLER, FREIGHT AND TRANSPORTATION COSTS PREPAID, UNDER A RETURN MATERIAL AUTHORIZATION AND TRACKING NUMBER ISSUED BY THE SELLER. ALL LABOR COSTS, SHIPPING COSTS, AND TRANSPORTATION COSTS ASSOCIATED WITH THE RETURN OR REPLACEMENT OF THE CLAIMED DEFECTIVE PRODUCT ARE SOLELY THE RESPONSIBILITY OF BUYER OR THE FIRST END USER. THE SELLER RESERVES THE RIGHT TO INSPECT ON THE FIRST END USER'S SITE ANY PRODUCTS CLAIMED TO BE DEFECTIVE BEFORE ISSUING A RETURN MATERIAL AUTHORIZATION. SHOULD SUCH INSPECTION REVEAL, IN THE SELLER'S REASONABLE DISCRETION, THAT THE CLAIMED DEFECT IS NOT COVERED BY THIS WARRANTY, THE PARTY ASSERTING THIS WARRANTY SHALL PAY THE SELLER FOR THE TIME AND EXPENSES RELATED TO SUCH ON-SITE INSPECTION.

### **Exclusion of Consequential and Incidental Damages**

IT IS SPECIFICALLY ACKNOWLEDGED THAT THIS WARRANTY, ANY OTHER EXPRESS WARRANTY NOT NEGATED HEREBY, AND ANY IMPLIED WARRANTY NOT NEGATED HEREBY, INCLUDING THE IMPLIED WARRANTIES OF MERCHANTABILITY AND FITNESS FOR A PARTICULAR PURPOSE, DO NOT COVER, AND NEITHER TLV, TII NOR ITS TLV GROUP COMPANIES WILL IN ANY EVENT BE LIABLE FOR, INCIDENTAL OR CONSEQUENTIAL DAMAGES, INCLUDING, BUT NOT LIMITED TO LOST PROFITS, THE COST OF DISASSEMBLY AND SHIPMENT OF THE DEFECTIVE PRODUCT, INJURY TO OTHER PROPERTY, DAMAGE TO BUYER'S OR THE FIRST END USER'S PRODUCT, DAMAGE TO BUYER'S OR THE FIRST END USER'S PROCESSES, LOSS OF USE, OR OTHER COMMERCIAL LOSSES. WHERE, DUE TO OPERATION OF LAW, CONSEQUENTIAL AND INCIDENTAL DAMAGES UNDER THIS WARRANTY, UNDER ANY OTHER EXPRESS WARRANTY NOT NEGATED HEREBY OR UNDER ANY IMPLIED WARRANTY NOT NEGATED HEREBY (INCLUDING THE IMPLIED WARRANTIES OF MERCHANTABILITY AND FITNESS FOR A PARTICULAR PURPOSE) CANNOT BE EXCLUDED, SUCH DAMAGES ARE EXPRESSLY LIMITED IN AMOUNT TO THE PURCHASE PRICE OF THE DEFECTIVE PRODUCT. THIS EXCLUSION OF CONSEQUENTIAL AND INCIDENTAL DAMAGES, AND THE PROVISION OF THIS WARRANTY LIMITING REMEDIES HEREUNDER TO REPLACEMENT, ARE INDEPENDENT PROVISIONS, AND ANY DETERMINATION THAT THE LIMITATION OF REMEDIES FAILS OF ITS ESSENTIAL PURPOSE OR ANY OTHER DETERMINATION THAT EITHER OF THE ABOVE REMEDIES IS UNENFORCEABLE, SHALL NOT BE CONSTRUED TO MAKE THE OTHER PROVISIONS UNENFORCEABLE.

### **Exclusion of Other Warranties**

THIS WARRANTY IS IN LIEU OF ALL OTHER WARRANTIES, EXPRESS OR IMPLIED, AND ALL OTHER WARRANTIES, INCLUDING BUT NOT LIMITED TO THE IMPLIED WARRANTIES OF MERCHANTABILITY AND FITNESS FOR A PARTICULAR PURPOSE, ARE EXPRESSLY DISCLAIMED.

### **Severability**

Any provision of this warranty which is invalid, prohibited or unenforceable in any jurisdiction shall, as to such jurisdiction, be ineffective to the extent of such invalidity, prohibition or unenforceability without invalidating the remaining provisions hereof, and any such invalidity, prohibition or unenforceability in any such jurisdiction shall not invalidate or render unenforceable such provision in any other jurisdiction.

## Service

For Service or Technical Assistance: Contact your TLV representative or your regional TLV office.

### In Europe:

#### **TLV EURO ENGINEERING GmbH**

Daimler-Benz-Straße 16-18, 74915 Waibstadt, **Germany**

Tel: [49]-(0)7263-9150-0

#### **TLV EURO ENGINEERING UK LTD.**

Units 7 & 8, Furlong Business Park, Bishops Cleeve,  
Gloucestershire GL52 8TW, **U.K.**

Tel: [44]-(0)1242-227223

#### **TLV EURO ENGINEERING FRANCE SARL**

Parc d'Ariane 2, bât. C, 290 rue Ferdinand Perrier, 69800 Saint  
Priest, **France**

Tel: [33]-(0)4-72482222

Fax: [33]-(0)4-72482220

### In North America:

#### **TLV CORPORATION**

13901 South Lakes Drive, Charlotte, NC 28273-6790, **U.S.A.**

Tel: [1]-704-597-9070

Fax: [1]-704-583-1610

#### **TLV ENGINEERING S. A. DE C. V.**

Av. Jesús del Monte 39-B-1001, Col. Hda. de las Palmas,  
Huixquilucan, Edo. de México, 52763, **Mexico**

Tel: [52]-55-5359-7949

Fax: [52]-55-5359-7585

### In Oceania:

#### **TLV PTY LIMITED**

Unit 8, 137-145 Rooks Road, Nunawading, Victoria 3131,

Tel: [61]-(0)3-9873 5610

Fax: [61]-(0)3-9873 5010

### Australia

### In East Asia:

#### **TLV PTE LTD**

36 Kaki Bukit Place, #02-01/02, **Singapore** 416214

Tel: [65]-6747 4600

Fax: [65]-6742 0345

#### **TLV SHANGHAI CO., LTD.**

5/F, Building 7, No.103 Caobao Road, Xuhui District, Shanghai,  
**China** 200233

Tel: [86]-(0)21-6482-8622

Fax: [86]-(0)21-6482-8623

#### **TLV ENGINEERING SDN. BHD.**

No.16, Jalan MJ14, Taman Industri Meranti Jaya, 47120 Puchong,  
Selangor, **Malaysia**

Tel: [60]-3-8052-2928

Fax: [60]-3-8051-0899

#### **TLV PRIVATE LIMITED**

252/94 (K-L) 17th Floor, Muang Thai-Phatra Complex Tower B,  
Rachadaphisek Road, Huaykwang, Bangkok 10310, **Thailand**

Tel: [66]-2-693-3799

Fax: [66]-2-693-3979

#### **TLV INC.**

#1121, Seongnam Central Biz Tower 3, 208, Galmachi-ro,  
Jungwon-gu, Seongnam-si, Gyeonggi-do, 13216, **Korea**

Tel: [82]-(0)31-726-2105

Fax: [82]-(0)31-726-2195

### In the Middle East:

#### **TLV ENGINEERING FZCO**

Building 9W, B163, PO Box 371684, Dubai Airport Free Zone,  
Dubai, **UAE**

Email: sales-me@tlv.co.jp

### In Other Countries:

#### **TLV INTERNATIONAL, INC.**

881 Nagasuna, Noguchi, Kakogawa, Hyogo 675-8511, **Japan**

Tel: [81]-(0)79-427-1818

Fax: [81]-(0)79-425-1167

### Manufacturer:

#### **TLV CO., LTD.**

881 Nagasuna, Noguchi, Kakogawa, Hyogo 675-8511, **Japan**

Tel: [81]-(0)79-427-1800

Fax: [81]-(0)79-422-2277