



# Bypass Blow Valve

**BD800**

**NEW**

**Reliable Tight Shut-off**



# 47%\* of customers who perform bypass blowdown have experienced **internal leakage of valves.**

\* Research by TLV CO., LTD.

Periodic maintenance of steam system is followed by blowdown on bypass lines by supplying high pressure steam at start-up. However, globe valves often installed on bypass lines are commonly susceptible to internal leakage as the build-up of dirt and scale and the erosion of valve trim prevent the valve from closing completely. The BD800 was developed to eliminate these problems.

## API 598 valve with self-cleaning valve trim, clears scale build-up during operation



### Valve construction enables effective scale removal for tight shut-off

When the valve cannot be fully closed due to rust and scale build-up on the valve head or seat, simple and effective in-line scale removal restores steam tight sealing performance.



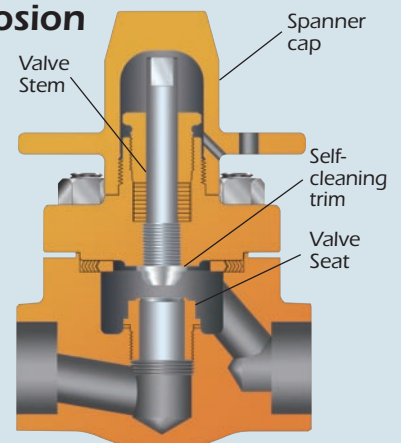
Scale is scraped off and flushed with steam by valve operation

### Highly durable materials prevent erosion

Valve stem and seat are constructed from durable materials to prevent erosion.



Wall thinning caused by steam leakage from eroded valve trim.



### Valve stem, valve seat and other key parts are replaceable

Parts worn by years of use can be replaced, extending product service life.

## Spanner cap is used in place of the valve handle



- Protects valve stem from weather and foreign matter, **preventing the valve stem from sticking**
- For applications with infrequent valve operation, the spanner cap can be fixed to the body to **prevent erroneous operation**



Fixed to body

- Can also be used **as a valve handle**



Adjusting the valve aperture



Tightening the gland retainer

### Applications

Bypass or other lines: for blowdown or elimination of steam locking

- Applicable fluids: Steam, water, air
- Maximum Operating Pressure PMO: 6.5 MPaG
- Connections: Screwed, socket welded, flanged

- Material: Stainless steel ASTM A182 F304
- Size: 15, 20, 25 mm
- Maximum Operating Temperature TMO: 425 °C

- Applicable standards: API 598, ASME B16.34
- Maximum Cv Value: 3.5 (US)



**CAUTION**

To avoid abnormal operation, accidents or serious injury, DO NOT use this product outside of the specification range. Local regulations may restrict the use of this product to below the conditions quoted.

## TLV INTERNATIONAL, INC.

881 Nagasuna, Noguchi, Kakogawa, Hyogo 675-8511, JAPAN

Tel: [81]-(0)79-427-1818 Fax: [81]-(0)79-425-1167

E-mail: [tlv-japan@tlv.co.jp](mailto:tlv-japan@tlv.co.jp) <https://www.tlv.com>

Manufacturer  
**TLV CO., LTD.**  
Kakogawa, Japan  
is approved by LRQA Ltd. to ISO 9001/14001

ISO 9001  
ISO 14001

