



BYPASS BLOW VALVE

MODEL BD800

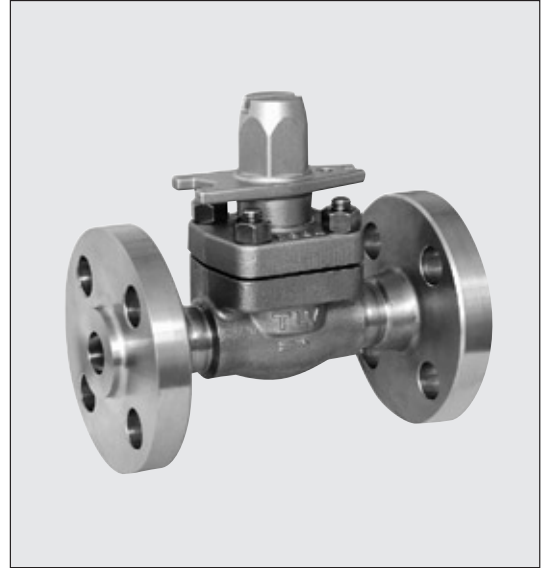
BYPASS BLOW VALVE WITH SCALE REMOVAL FUNCTION AND INLINE MAINTAINABILITY FOR LONG SERVICE LIFE

Benefits

Valve for use in high temperature and high pressure applications. Ideal for installation on steam trap bypass lines.

Unique construction enables in-line scale removal from the valve seat.

1. Easy-to-use scale removal function ensures reliable long-term sealing performance to avoid internal leakage.
2. Gland packing proven in high pressure applications prevents external leakage.
3. Highly durable materials to prevent erosion.
4. Replaceable gland packing, valve stem, valve seat and gaskets for long product service life.
5. No valve handle to eliminate the risk of erroneous operation.
6. Spanner cap protects valve stem from weather and foreign matter, and can be used to operate the valve or tighten the gland retainer.



Specifications

Model		BD800		
Connection		Screwed	Socket Weld	Flanged
Size (in)		1/2, 3/4, 1	1/2, 3/4, 1	1/2, 3/4, 1
Maximum Operating Pressure (psig)	PMO	925		
Maximum Allowable Pressure (psig)	PMA	925		
Maximum Operating Temperature (°F)	TMO	800		
Maximum Allowable Temperature (°F)	TMA	800		
Applicable Standards		API 598, ASME B16.34		
Seat Leakage (Gas test in accordance with API 598)		0 bubbles/15 seconds @ 87 psig		
Applicable Fluids*		Steam, Water, Air		

* Do not use for toxic, flammable or otherwise hazardous fluids.

Connections and sizes in bold are standard



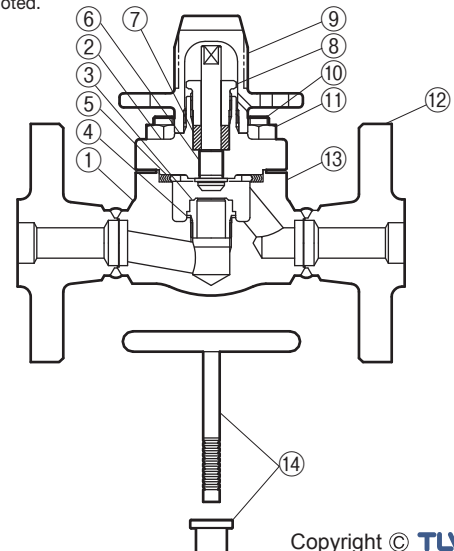
CAUTION

To avoid abnormal operation, accidents or serious injury, DO NOT use this product outside of the specification range. Local regulations may restrict the use of this product to below the conditions quoted.

No.	Description	Material	ASTM/AISI*	JIS
①	Body	Stainless Steel	A182 Gr.F304	—
②	Bonnet	Stainless Steel	A182 Gr.F304	—
③ ^R	Valve Seat	—	—	—
④ ^{MR}	Valve Seat Gasket	Stainless Steel	AISI316L	SUS316L
⑤ ^{MR}	Bonnet Gasket	Graphite/Stainless Steel	- / AISI304	- / SUS304
⑥ ^R	Valve Stem	—	—	—
⑦ ^G	Gland Packing	Graphite	—	—
⑧	Gland Retainer	Stainless Steel	AISI303	SUS303
⑨	Spanner Cap	Cast Stainless Steel	A351 Gr.CF8	—
⑩	Bonnet Bolt	Stainless Steel	A193 Gr.B8 Cl2	—
⑪	Bonnet Nut	Stainless Steel	A194 Gr.8	—
⑫	Flange	Cast Stainless Steel	A351 Gr.CF8	—
⑬	Nameplate	Stainless Steel	AISI304	SUS304
⑭ ^T	Gland Packing Removal Tool**	Stainless Steel	—	—

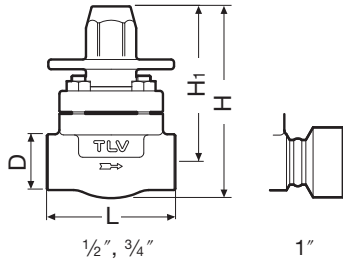
* Equivalent ** Available on request. Consult TLV for details.

Replacement kits available: (M) maintenance parts, (R) repair parts, (G) gland packing, (T) gland packing removal tool



Dimensions

● **BD800** Screwed

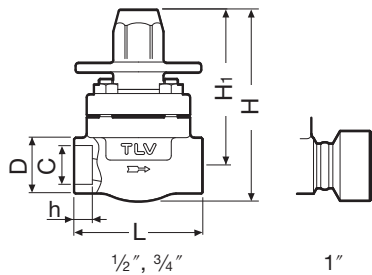


BD800 Screwed* (in)

Size	L	H	H ₁	φ D	Weight (lb)
1/2	3 1/8	5 1/2	4 1/2	1 9/16	4.8
3/4	3 5/8				5.5
1	6 5/16			6.6	

* NPT, other standards available

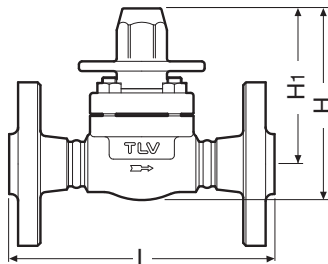
● **BD800** Socket Weld



BD800 Socket Weld (in)

Size	L	H	H ₁	φ D	φ C	h	Weight (lb)
1/2	3 1/8	5 1/2	4 1/2	1 1/4	0.855	7/16	4.8
3/4	3 5/8			1 1/2	1.065	1/2	5.5
1	6 5/16			1 7/8	1.330	9/16	6.6

● **BD800** Flanged



BD800 Flanged (in)

Size	L			H	H ₁	Weight* (lb)
	Connects to ASME Class					
	150RF	300RF	600RF			
1/2	6	6	6 1/2	5 1/2	4 1/2	9.0
3/4	7	7	7 1/2			12
1	8	8	8 1/2			14

Other standards available, but length and weight may vary
* Weight is for Class 600RF

Cv Values

	Nominal Valve Size (in)		
	1/2	3/4	1
Cv (US)	3.5		
Cv (UK)	2.9		
Kvs (DIN)	3.0		



DO NOT DISASSEMBLE OR REMOVE THIS PRODUCT WHILE IT IS UNDER PRESSURE.
Allow internal pressure of this product to equal atmospheric pressure and its surface to cool to room temperature before disassembling or removing. Failure to do so could cause burns or other injury. READ INSTRUCTION MANUAL CAREFULLY.

TLV CORPORATION

13901 South Lakes Drive, Charlotte, NC 28273-6790
Tel: 704-597-9070 Fax: 704-583-1610
E-mail: tlv@tlvengineering.com <https://www.tlv.com>
For Technical Service 1-800 "TLV TRAP"



Manufacturer
TLV CO., LTD.
Kakogawa, Japan
is approved by LRQA Ltd. to ISO 9001/14001

