



FREE FLOAT[®] STEAM TRAP

MODEL J7.5X

FREE FLOAT STEAM TRAP WITH THERMOSTATIC AIR VENTING

Benefits

Extremely durable, inline repairable free float trap with tight shut-off for drainage of medium to large size heating and process loads.

1. Self-modulating free float provides soft, continuous, smooth, low velocity discharge, as process loads vary, for maximum performance.
2. Unique rotational seating design eliminates concentrated wear to provide long maintenance-free service life.
3. Durable thermostatic unit automatically vents air for exceptional start-up and performance.
4. Easy, inline access to internal parts simplifies cleaning and lowers maintenance costs.
5. Rugged float construction with up to 1500 psig hydraulic shock rating ensures excellent resistance to water hammer.
6. Built-in screen with large surface area ensures extended trouble-free service.



Specifications

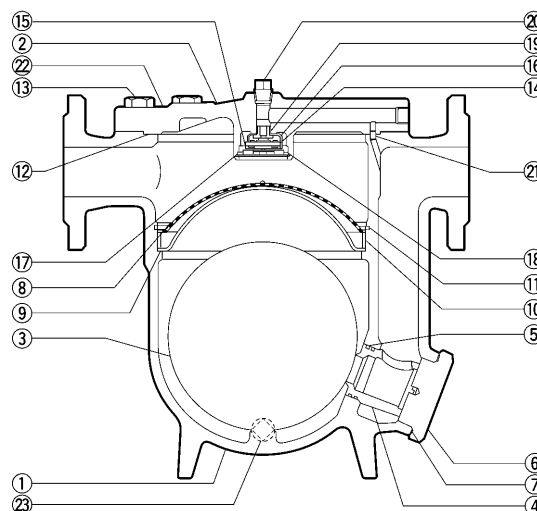
| | | |
|--|---------------------------|--|
| Model | J7.5X | |
| Connection | Flanged | |
| Size (in) | 1 1/2, 2 | |
| Orifice No. | 1, 2, 5, 10, 14, 18 | |
| Maximum Operating Pressure (psig) PMO | 15, 30, 75, 150, 200, 250 | |
| Maximum Differential Pressure (psi) ΔPMX | 15, 30, 75, 150, 200, 250 | |
| Minimum Operating Pressure (psig) | Vacuum | |
| Maximum Operating Temperature (°F) TMO | 428 | |
| Maximum Allowable Pressure (psig) PMA | 250 | |
| Maximum Allowable Temperature (°F) TMA | 428 | |

Connections and sizes in bold are standard



To avoid abnormal operation, accidents or serious injury, DO NOT use this product outside of the specification range. Local regulations may restrict the use of this product to below the conditions quoted.

| No. | Description | Material | ASTM/AISI* | JIS |
|-----------------|------------------------|---------------------------|-------------------|-----------|
| ① | Body | Cast Iron | A126 Cl.B | FC250 |
| ② | Cover | Cast Iron | A126 Cl.B | FC250 |
| ③ ^F | Float | Stainless Steel | AISI316L | SUS316L |
| ④ ^R | Orifice | — | — | — |
| ⑤ ^{MR} | Orifice O-Ring | Ethylene Propylene Rubber | D2000CA | EPR |
| ⑥ | Orifice Holder Plug | Ductile Cast Iron | A536 Gr. 65-45-12 | FCD450 |
| ⑦ ^{MR} | Holder Plug Gasket | Fluorine Resin | PTFE | PTFE |
| ⑧ ^R | Screen | Stainless Steel | AISI430 | SUS430 |
| ⑨ | Screen Holder | Stainless Steel | AISI304 | SUS304 |
| ⑩ | Screen Holder Retainer | Stainless Steel | AISI304 | SUS304 |
| ⑪ | Snap Ring | Stainless Steel | AISI304 | SUS304 |
| ⑫ ^{MR} | Cover Gasket | Graphite/Stainless Steel | —/AISI316L | —/SUS316L |
| ⑬ | Cover Bolt | Carbon Steel | AISI1045 | S45C |
| ⑭ ^R | X-element | Stainless Steel | — | — |
| ⑮ ^R | Spring Clip | Stainless Steel | AISI304 | SUS304 |
| ⑯ ^R | X-element Guide | Stainless Steel | AISI304 | SUS304 |
| ⑰ ^R | X-element Cover | Stainless Steel | AISI304 | SUS304 |
| ⑱ ^R | Snap Ring | Stainless Steel | AISI304 | SUS304 |
| ⑲ ^R | Air Vent Valve Seat | Stainless Steel | AISI420F | SUS420F |
| ⑳ | Plug | Carbon Steel | A6 | SS400 |
| ㉑ | Connector | Stainless Steel | AISI416 | SUS416 |
| ㉒ | Nameplate | Stainless Steel | AISI304 | SUS304 |
| ㉓ | Drain Plug | Carbon Steel | A6 | SS400 |



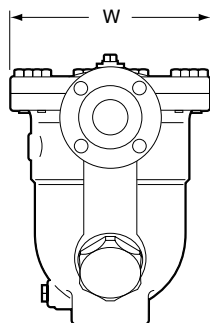
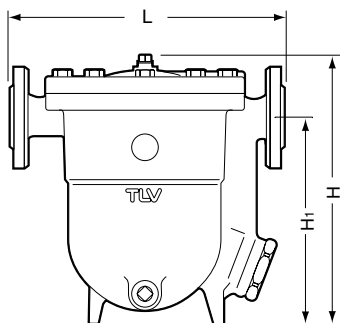
* Equivalent

Replacement kits available: (M) maintenance parts, (R) repair parts, (F) float

Copyright © TLV

Dimensions

● **J7.5X** Flanged



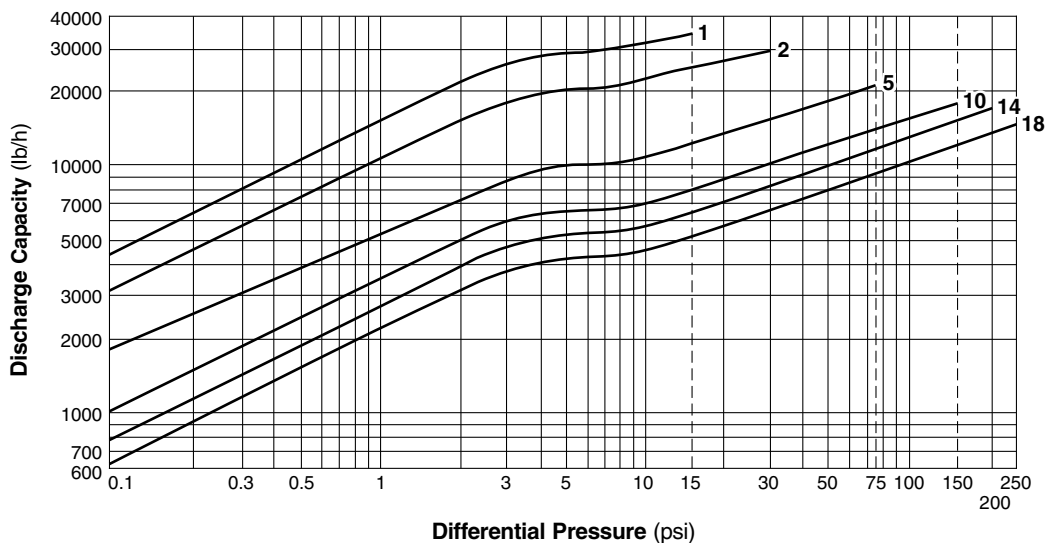
J7.5X Flanged (in)

| Size | L | | H | H ₁ | φW | Weight* (lb) |
|------|---------------------------------|---------------------------------|----------------------------------|---------------------------------|---------------------------------|--------------|
| | Connects to ASME Class | | | | | |
| | 125FF | 250RF | | | | |
| 1½ | 15 | 15 ⁷ / ₁₆ | 15 ⁵ / ₈ | 12 ¹ / ₁₆ | 11 ⁷ / ₁₆ | 94 |
| 2 | 15 ⁷ / ₁₆ | 16 | 15 ¹³ / ₁₆ | | | 100 |

Other standards available, but length and weight may vary
* Weight is for Class 250 RF

Flange classes in bold are standard

Discharge Capacity



1. Line numbers within the graph refer to orifice numbers.
2. Differential pressure is the difference between the inlet and outlet pressure of the trap.
3. Capacities are based on continuous discharge of condensate 11°F below saturated steam temperature.
4. Recommended safety factor: at least 1.5.

CAUTION DO NOT use this product under conditions that exceed maximum differential pressure, as condensate backup will occur!

CAUTION DO NOT DISASSEMBLE OR REMOVE THIS PRODUCT WHILE IT IS UNDER PRESSURE. Allow internal pressure of this product to equal atmospheric pressure and its surface to cool to room temperature before disassembling or removing. Failure to do so could cause burns or other injury. READ INSTRUCTION MANUAL CAREFULLY

TLV CORPORATION

13901 South Lakes Drive, Charlotte, NC 28273-6790
Tel: 704-597-9070 Fax: 704-583-1610
E-mail: tlv@tlvengineering.com <https://www.tlv.com>
For Technical Service 1-800 "TLV TRAP"



Manufacturer
TLV CO., LTD.
Kakogawa, Japan
is approved by LRQA Ltd. to ISO 9001/14001

