



SIGHT GLASS

MODEL T8N/T10N

SAFE SIGHT GLASS FOR HIGH PRESSURE AND TEMPERATURE APPLICATIONS

Benefits

Compact lightweight sight glass for installation at the outlet side of steam traps; to monitor trap performance and to check for steam leakage. Also recommended for checking the line flow of air and water. Suitable for small-to-medium flow rates.

1. Clear sighting through self-polishing, heat-resistant glass.
2. Ball movement indicates the flow status.
3. Model T10N is designed for larger flow rates.
4. Compact design saves space.
5. Inline repairable to lower repair costs.



Specifications

Model	T8N/T10N	
Connection	Screwed	
Size (in)	1/2, 3/4, 1, 1 1/2	
Maximum Operating Pressure (psig)	PMO	230
Maximum Operating Temperature (°F)	TMO	392
Maximum Allowable Pressure (psig)	PMA	230
Maximum Allowable Temperature (°F)	TMA	392



CAUTION

To avoid abnormal operation, accidents or serious injury, DO NOT use this product outside of the specification range. Local regulations may restrict the use of this product to below the conditions quoted.

Connections and sizes in bold are standard

No.	Description	Material	ASTM/AISI*	JIS
①	Body	Cast Iron	A126 Cl. B	FC250
② ^R	Sight Glass	Heat Resistant Glass	—	—
③	Glass Holder	Cast Iron	A126 Cl. B	FC250
④ ^R	Ball	Fluorine Resin	PTFE	PTFE
⑤ ^R	Gasket	Fluorine Resin	PTFE	PTFE
⑥	Nameplate**	Stainless Steel	AISI304	SUS304
⑦ ^R	Guard Plate	MICA	—	—

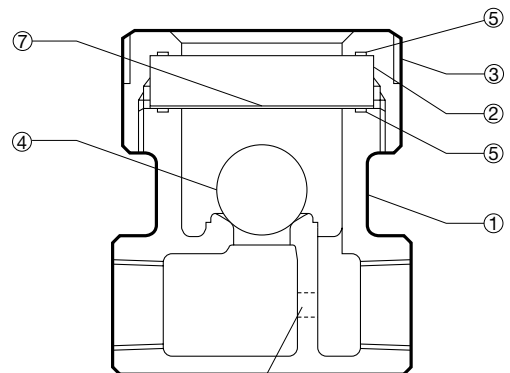
* Equivalent ** Shown overleaf

Replacement kits available: (R) repair parts



CAUTION

The heat-resistant glass must be replaced every year

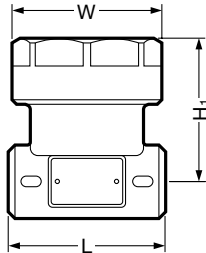


Through-hole
(T10N only)

Dimensions

● **T8N/T10N**

Screwed



T8N/T10N Screwed*

(in)

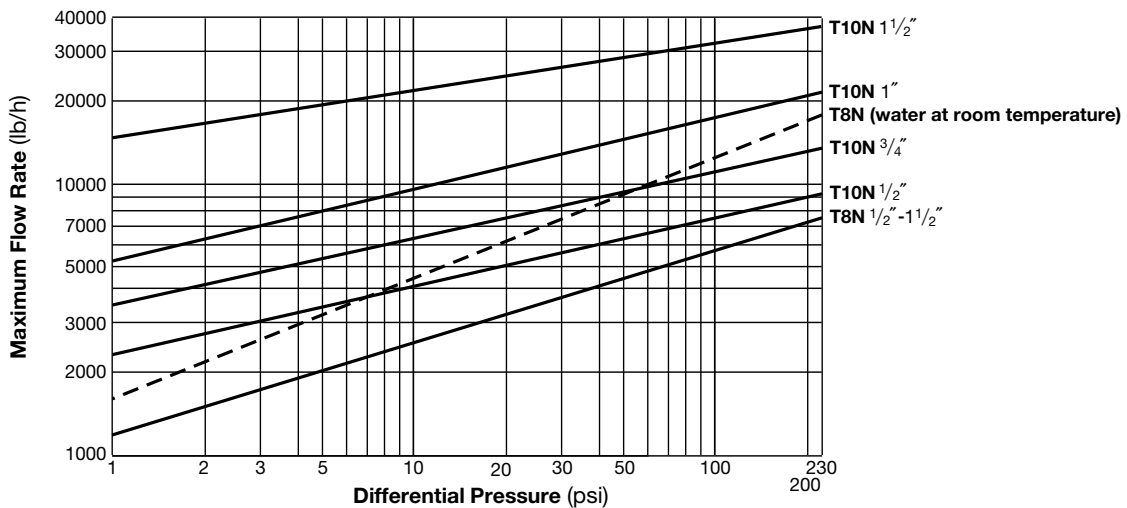
Size	L	H ₁	φW	Through-hole Dia.**	Weight (lb)
1/2	2 ¹¹ / ₁₆	3 ¹ / ₈	2 ¹ / ₂	3/8	1.9
3/4	2 ¹⁵ / ₁₆	3 ⁷ / ₁₆		9/16	2.2
1	3 ¹ / ₈	3 ¹¹ / ₁₆		1 ¹ / ₁₆	2.6
1 1/2	4 ³ / ₄	4 ⁷ / ₁₆		1	4.7

* NPT, other standards available ** T10N only



Install a check valve on the outlet side if there is the danger of downstream water hammer!

Capacity



1. Capacities are based on continuous discharge of condensate 11 °F below saturated steam temperature. (or continuous discharge of water at room temperature if so stated).
2. Differential pressure is the difference between the inlet and outlet pressure of the sight glass.

TLV CORPORATION

13901 South Lakes Drive, Charlotte, NC 28273-6790
 Phone: 704-597-9070 Fax: 704-583-1610
 E-mail: tlv@tlvengineering.com
 For Technical Service 1-800 "TLV TRAP"



Manufacturer

TLV® CO., LTD.

Kakogawa, Japan

is approved by LRQA Ltd. to ISO 9001/14001

ISO 9001 / ISO 14001

