



FREE FLOAT[®] STEAM TRAP

MODEL JH7.2R-X/JH7.2R-B CAST STEEL

FREE FLOAT STEAM TRAP WITH THERMOSTATIC AIR VENTING

Features

A reliable and durable cast steel steam trap for use on medium-size process equipment. JH7.2R-B is also suitable for high-pressure process equipment.

1. Self-modulating free float provides continuous, smooth, low-velocity condensate discharge as process loads vary
2. Constant water seal design ensures a steam-tight seal, even under low-load conditions.
3. **JH7.2R-X**: Thermostatic capsule (X-element) with "fail open" feature vents air automatically at close-to-steam temperature.
4. **JH7.2R-B**: Thermostatic bimetal air vent valve vents air automatically for rapid startup.
5. Built-in screen with large surface area ensures extended trouble-free operation.
6. Easy, inline access to internal parts simplifies cleaning and reduces maintenance costs.



Specifications

Model	JH7.2R-X		JH7.2R-B	
	Socket Welded	Flanged	Socket Welded	Flanged
Connection	Socket Welded	Flanged	Socket Welded	Flanged
Size	DN 40, 50		DN 40, 50	
Orifice No.	2, 5, 10, 14, 22, 32		2, 5, 10, 14, 22, 32, 40, 46	
Maximum Operating Pressure (barg) PMO	2, 5, 10, 14, 22, 32		2, 5, 10, 14, 22, 32, 40, 46	
Maximum Differential Pressure (bar) ΔPMX	2, 5, 10, 14, 22, 32		2, 5, 10, 14, 22, 32, 40, 46	
Maximum Operating Temperature (°C) TMO	240		400*/425	
Type of Air Vent	X-element (6 °C subcooling)		Bimetal (vents air up to approx. 100 °C)	

PRESSURE SHELL DESIGN CONDITIONS (NOT OPERATING CONDITIONS):

1 bar = 0.1 MPa

Maximum Allowable Pressure (barg) PMA: 46

Maximum Allowable Temperature (°C) TMA: 400*/425

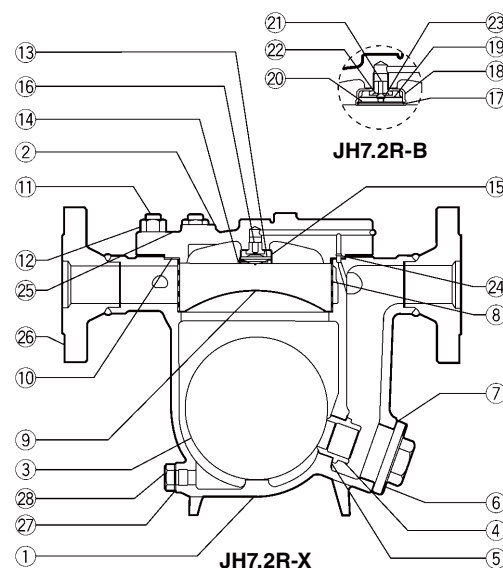
* With PN flange



To avoid abnormal operation, accidents or serious injury, DO NOT use this product outside of the specification range. Local regulations may restrict the use of this product to below the conditions quoted.

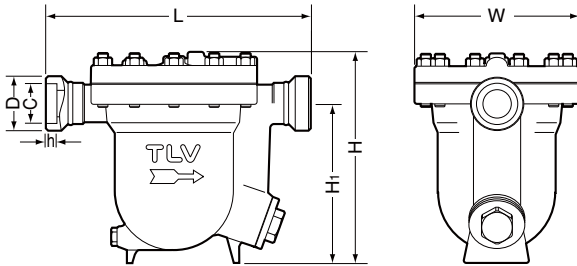
No.	Description	Material	DIN*	ASTM/AISI*
①	Body	Cast Steel A216 Gr.WCB	1.0619	—
②	Cover	Carbon Steel A105	1.0460	—
③ ^F	Float	Stainless Steel SUS316L	1.4404	AISI316L
④ ^R	Orifice	—	—	—
⑤ ^{MR}	Orifice Gasket	Soft Iron SUYP	1.1121	AISI1010
⑥	Orifice Plug	Cast Stainless Steel A351 Gr.CF8	1.4312	—
⑦ ^{MR}	Orifice Plug Gasket	Soft Iron SUYP	1.1121	AISI1010
⑧ ^R	Screen inside/outside**	Stainless Steel SUS430/304	1.4016/1.4301	AISI430/304
⑨	Screen Holder	Stainless Steel SUS304	1.4301	AISI304
⑩ ^{MR}	Cover Gasket	Graphite/Stainless Steel SUS316L	-/1.4404	-/AISI316L
⑪	Cover Bolt	Alloy Steel SNB16	1.7711	A193 Gr.B16
⑫	Cover Nut	Carbon Steel S45C	1.0503	AISI1045
⑬ ^R	X-element	Stainless Steel	—	—
⑭ ^R	Spring Clip	Stainless Steel SUS304	1.4301	AISI304
⑮ ^R	X-element Guide	Stainless Steel SUS304	1.4301	AISI304
⑯ ^R	Air Vent Valve Seat	Stainless Steel SUS420F	1.4028	AISI420F
⑰ ^R	Snap Ring	Stainless Steel SUS304	1.4301	AISI304
⑱ ^R	Air Vent Case	Cast Stainless Steel A351 Gr.CF8	1.4312	—
⑲ ^R	Bimetal Plate	Bimetal	—	—
⑳ ^R	Air Vent Screen	Stainless Steel SUS304	1.4301	AISI304
㉑ ^R	Air Vent Valve Seat	—	—	—
㉒ ^R	Air Vent Valve Plug	—	—	—
㉓ ^R	Snap Ring	Stainless Steel SUS304	1.4301	AISI304
㉔	Connector	Stainless Steel SUS416	1.4005	AISI416
㉕	Nameplate	Stainless Steel SUS304	1.4301	AISI304
㉖	Socket***/Flange	Carbon Steel A105	1.0460	—
㉗ ^{MR}	Drain Plug Gasket	Soft Iron SUYP	1.1121	AISI1010
㉘	Drain Plug	Carbon Steel S25C	1.1158	AISI1025

* Equivalent materials ** JH7.2R-B: inside only *** Shown on Reverse
Replacement kits available: (M) maintenance parts, (R) repair parts, (F) float



Dimensions

● **JH7.2R-X/JH7.2R-B Socket Welded**

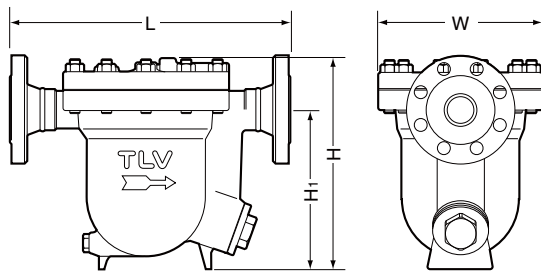


JH7.2R-X/JH7.2R-B Socket Welded* (mm)

DN	L	H	H ₁	φW	φD	φC	h	Weight (kg)
40	401	320	244	250	64	48.8	13	35
50					77.5	61.2	16	38

* ASME B16.11-2005, other standards available

● **JH7.2R-X/JH7.2R-B Flanged**



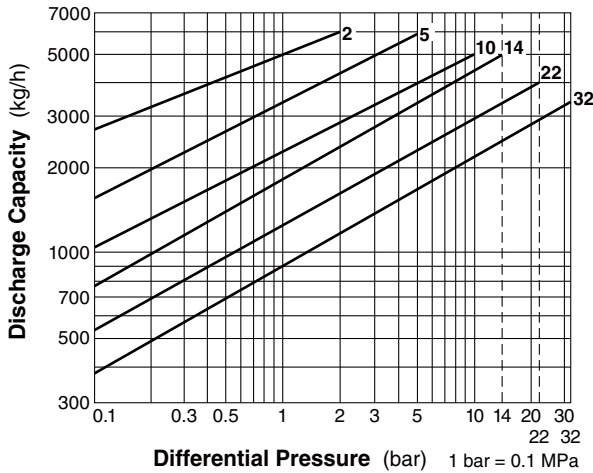
JH7.2R-X/JH7.2R-B Flanged (mm)

DN	L				H	H ₁	φW	Weight* (kg)
	DIN 2501	ASME Class						
	PN25/40	150RF	300RF	600RF				
40	407	406	413	429	320	244	250	35
50	411	410	416	435				40

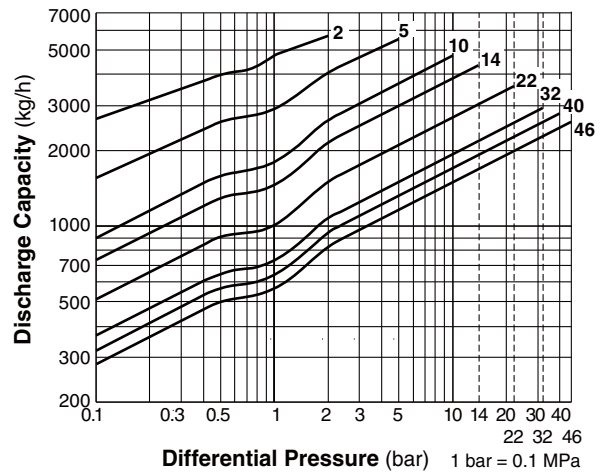
Other standards available, but length and weight may vary
* Weight is for DIN PN 25/40

Discharge Capacity

● **JH7.2R-X**



● **JH7.2R-B**



1. Line numbers within the graph are orifice numbers.
2. Differential pressure is the difference between the inlet and outlet pressure of the trap.
3. Capacities are based on continuous discharge of condensate 6 °C below saturated steam temperature.
4. Recommended safety factor: at least 1.5.



DO NOT use traps under conditions that exceed maximum differential pressure, as condensate backup will occur!

Manufacturer

ISO 9001/ISO 14001

TLV CO., LTD.
Kakogawa, Japan

is approved by LRQA Ltd. to ISO 9001/14001

