

INSTRUCTION MANUAL

Keep this manual in a safe place for future reference

TLV PRESSURE REDUCING VALVES FOR STEAM
COS/COSR Series

EINBAU- UND BETRIEBSANLEITUNG

Gebrauchsanleitung leicht zugänglich aufbewahren

TLV DRUCKMINDERVENTILE FÜR DAMPF
COS/COSR Serie

MANUEL D'UTILISATION

Conserver ce manuel dans un endroit facile d'accès

TLV DÉTENDEURS-RÉGULATEURS DE PRESSION POUR VAPEUR
Gamme COS/COSR

English

Deutsch



COS-3/COS-16
COS-21



COSR-3/COSR-16
COSR-21/COSR-16HT

Français

TLV® CO., LTD.

Copyright (C) 2024 by TLV CO., LTD. All rights reserved.

EAC



Introduction

Steam-using equipment can perform its intended operation only when dry saturated steam is available. Steam containing entrained condensate, scale, air, etc. not only reduces steam equipment productivity, but also shortens the life of pressure reducing valves.

TLV REDUCING VALVES models COS/COSR are innovative reducing valves, which help eliminate these problems by supplying dry saturated steam at a constant pressure at all times.

This manual should be read prior to installing or operating TLV COS/COSR SERIES REDUCING VALVES.


Table of Contents

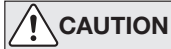
Section	Page	Section	Page
1 Safety Considerations	2	4.14 Two-stage Pressure Reduction	12
2 Configuration	3	4.15 Strainer Installation	12
COS-3/COS-16/COS-21	3	4.16 External Sensing Line	13
COSR-3/COSR-16/COSR-21	5	4.17 Internal Sensing for North	
COSR-16HT	6	American Models	14
3 Specifications	8	5 Adjustment	15
4 Piping and Installation	9	6 Disassembly and Inspection	16
4.1 Recommended Straight Pipe Runs	9	6.1 Before Disassembly	17
4.2 Installing an ON-OFF Valve	10	6.2 Disassembling the Adjustment Section	17
4.3 Installing a Control Valve	10	6.3 Disassembling the Pilot Section	17
4.4 Blowdown	10	6.4 Disassembling the Piston Section	19
4.5 Remove Protective Seals	10	6.5 Disassembling the Separator	
4.6 Installation Angle	10	and Main Valve	20
4.7 Spacer Installation	10	6.6 Disassembling the Steam Trap	21
4.8 Piping Support	11	6.7 Cleaning	21
4.9 Maintenance Space	11	6.8 Reassembly	22
4.10 Trap Outlet Pipe	11	6.9 Regular Inspection and	
4.11 Blowdown Valve	11	Maintenance	23
4.12 Accessories	12	7 Troubleshooting	24
4.13 Piping Size/Diffuser	12	8 TLV EXPRESS LIMITED WARRANTY	77

1. Safety Considerations

- Read this section carefully before use and be sure to follow the instructions.
- Installation, inspection, maintenance, repairs, disassembly, adjustment and valve opening/closing should be carried out only by trained maintenance personnel.
- The precautions listed in this manual are designed to ensure safety and prevent equipment damage and personal injury. For situations that may occur as a result of erroneous handling, three different types of cautionary items are used to indicate the degree of urgency and the scale of potential damage and danger: DANGER, WARNING and CAUTION.
- The three types of cautionary items above are very important for safety; be sure to observe all of them, as they relate to installation, use, maintenance, and repair. Furthermore, TLV accepts no responsibility for any accidents or damage occurring as a result of failure to observe these precautions.

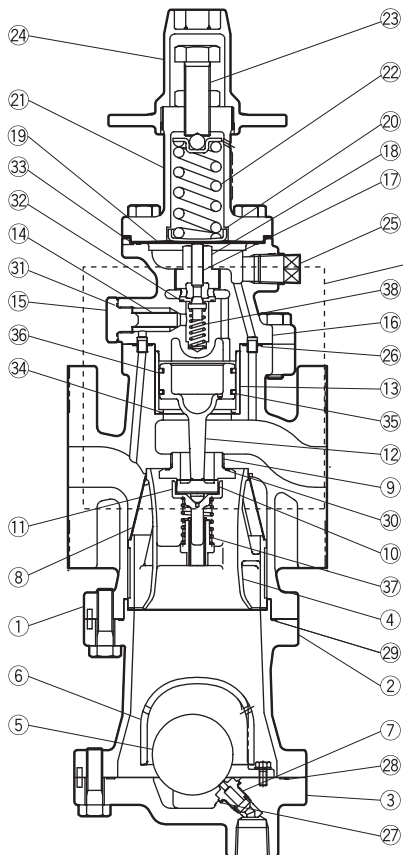
 DANGER	 WARNING	 CAUTION
Indicates an urgent situation which poses a threat of death or serious injury.	Indicates that there is a potential threat of death or serious injury.	Indicates that there is a possibility of injury or equipment/product damage.

	NEVER apply direct heat to the float. The float may explode due to increased internal pressure, causing accidents leading to serious injury or damage to property and equipment.
	Install properly and DO NOT use this product outside the recommended operating pressure, temperature and other specification ranges. Improper use may result in such hazards as damage to the product or malfunctions, which may lead to serious accidents. Local regulations may restrict the use of this product to below the conditions quoted.
	DO NOT use this product in excess of the maximum operating pressure differential. Such use could make discharge impossible.
	Use hoisting equipment for heavy objects (weighing approximately 20 kg (44 lb) or more). Failure to do so may result in back strain or other injury if the object should fall.
	Take measures to prevent people from coming into direct contact with product outlets. Failure to do so may result in burns or other injury from the discharge of fluids.
	When disassembling or removing the product, wait until the internal pressure equals atmospheric pressure and the surface of the product has cooled to room temperature. Disassembling or removing the product when it is hot or under pressure may lead to discharge of fluids, causing burns, other injuries or damage.
	Be sure to use only the recommended components when repairing the product, and NEVER attempt to modify the product in any way. Failure to observe these precautions may result in damage to the product or burns or other injury due to malfunction or the discharge of fluids.
	Do not use excessive force when connecting threaded pipes to the product. Overtightening may cause breakage leading to fluid discharge, which may cause burns or other injury.
	Use only under conditions in which no freeze-up will occur. Freezing may damage the product, leading to fluid discharge, which may cause burns or other injury.
	Use under conditions in which no water hammer will occur. The impact of water hammer may damage the product, leading to fluid discharge, which may cause burns or other injury.



2. Configuration COS-3/COS-16/COS-21

English



Pilot Section

COS-3

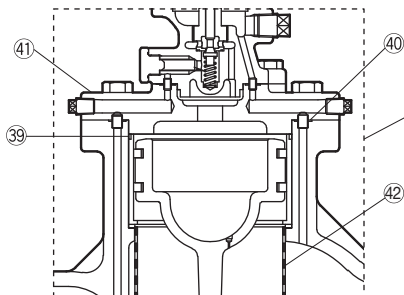
20 to 50 mm ($\frac{3}{4}$ " to 2")

COS-16

15 to 50 mm ($\frac{1}{2}$ " to 2")

COS-21

15 to 50 mm ($\frac{1}{2}$ " to 2")



Pilot Section

COS-16

65 to 100 mm ($2\frac{1}{2}$ " to 4")

COS-21

65 to 100 mm ($2\frac{1}{2}$ " to 4")

No.	Description	A1	A2	B	C1	C2	D1	D2	E	F	G
1	Main Body										
2	Trap Body										
3	Trap Cover										
4	Separator										
5	Float										✓
6	Float Cover										
7	Trap Valve Seat									✓	
8	Separator Screen			✓							
9	Main Valve Seat			✓							
10	Main Valve			✓							
11	Main Valve Holder			✓							
12	Piston				✓	✓					
13	Cylinder				✓	✓					
14	Pilot Screen								✓		
15	Pilot Screen Holder										
16	Pilot Body										
17	Pilot Valve								✓		
18	Pilot Valve Seat								✓		
19	Diaphragm										
20	Diaphragm Support										
21	Spring Housing										
22	Coil Spring										
23	Adjustment Screw										
24	Spanner Cap										
25	Plug – Sensing Line Port										
26	Lower Pilot Body Gasket	✓	✓				✓				
27	Trap Valve Seat Gasket	✓	✓							✓	
28	Trap Cover Gasket	✓	✓							✓	
29	Trap Body Gasket	✓	✓	✓							
30	Main Valve Seat Gasket	✓	✓	✓							
31	Pilot Screen Holder Gasket	✓	✓						✓		
32	Pilot Valve Seat Gasket	✓	✓						✓		
33	Upper Pilot Body Gasket	✓	✓						✓		
34	Cylinder Gasket	✓			✓						
35	Piston Ring				✓	✓	✓	✓			
36	Tension Ring				✓	✓	✓	✓			
37	Main Valve Spring			✓							
38	Pilot Valve Spring								✓		
39	Seal Ring		✓			✓					
40	Pilot Cover Gasket		✓			✓		✓			
41	Pilot Cover										
42	Silencer										

Replacement parts available for COS-3/COS-16 in kits specified; contact TLV for COS-21 parts

(A1) Maintenance kit for COS-3 (20 to 50 mm, 3/4" to 2") and COS-16 (15 to 50 mm, 1/2" to 2")

(A2) Maintenance kit for COS-16 (65 to 100 mm, 2 1/2" to 4")

(B) Repair kit for Main Valve

(C1) Repair kit for Piston for COS-3 (20 to 50 mm, 3/4" to 2") and COS-16 (15 to 50 mm, 1/2" to 2")

(C2) Repair kit for Piston for COS-16 (65 to 100 mm, 2 1/2" to 4")

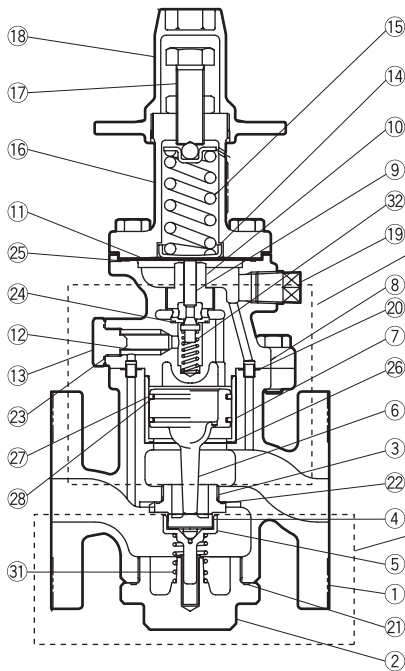
(D1) Repair kit for Piston Ring for COS-3 (20 to 50 mm, 3/4" to 2") and COS-16 (15 to 50 mm, 1/2" to 2")

(D2) Repair kit for Piston Ring for COS-16 (65 to 100 mm, 2 1/2" to 4")

(E) Repair kit for Pilot Valve

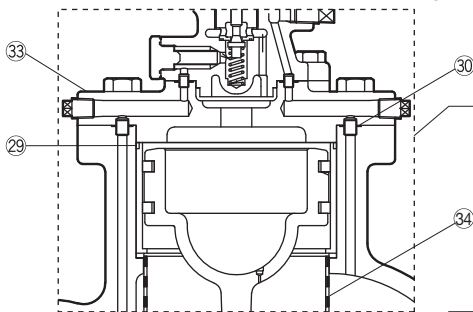
(F) Repair kit for Trap Valve Seat

(G) Float

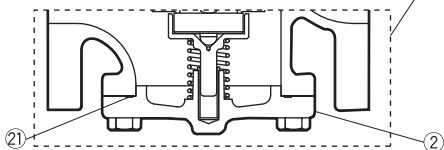


Pilot Section
 COSR-3
 20 to 50 mm ($\frac{3}{4}$ " to 2")
 COSR-16
 15 to 50 mm ($\frac{1}{2}$ " to 2")
 COSR-21
 15 to 50 mm ($\frac{1}{2}$ " to 2")

Cover Plug
 COSR-3
 20, 25 mm ($\frac{3}{4}$ ", 1")
 COSR-16
 15 to 25 mm ($\frac{1}{2}$ " to 1")

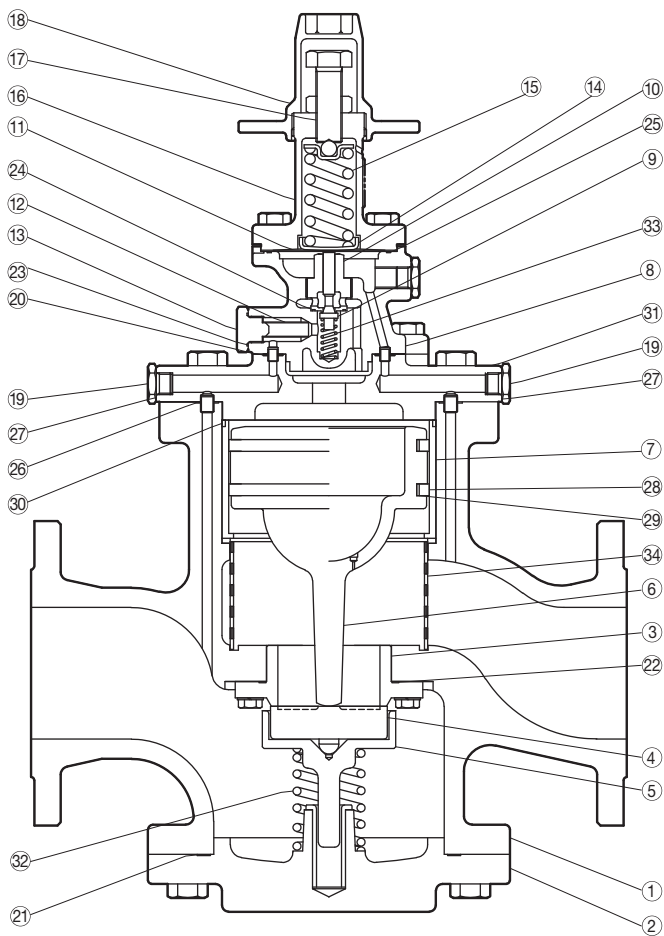


Pilot Section
 COSR-16
 65 to 150 mm ($2\frac{1}{2}$ " to 6")
 COSR-21
 65 to 100 mm ($2\frac{1}{2}$ " to 4")



Cover
 COSR-3
 32 to 50 mm ($1\frac{1}{4}$ " to 2")
 COSR-16
 32 to 150 mm ($1\frac{1}{4}$ " to 6")
 COSR-21*
 15 to 100 mm ($\frac{1}{2}$ " to 4")

*Cover configuration differs slightly for models with connections other than DIN PN flange.



No.	Description	A1	A2	B	C1	C2	D1	D2	E
1	Main Body								
2	Cover Plug								
	Cover								
3	Main Valve Seat			✓					
4	Main Valve			✓					
5	Main Valve Holder			✓					
6	Piston				✓	✓			
7	Cylinder				✓	✓			
8	Pilot Body								
9	Pilot Valve								✓
10	Pilot Valve Seat								✓
11	Diaphragm								
12	Pilot Screen								✓
13	Pilot Screen Holder								
14	Diaphragm Support								
15	Coil Spring								
16	Spring Housing								
17	Adjustment Screw								
18	Spanner Cap								
19	Plug – Sensing Line Port								
20	Lower Pilot Body Gasket	✓	✓				✓		
21	Cover Plug Gasket	✓		✓					
	Cover Gasket	✓	✓	✓					
22	Main Valve Seat Gasket	✓	✓	✓					
23	Pilot Screen Holder Gasket	✓	✓						✓
24	Pilot Valve Seat Gasket	✓	✓						✓
25	Upper Pilot Body Gasket	✓	✓						✓
26	Cylinder Gasket	✓			✓				
27	Piston Ring				✓	✓	✓	✓	
28	Tension Ring				✓	✓	✓	✓	
29	Seal Ring		✓			✓			
30	Pilot Cover Gasket		✓			✓		✓	
31	Main Valve Spring			✓					
32	Pilot Valve Spring								✓
33	Pilot Cover								
34	Silencer								

Replacement parts available for COSR-3/COSR-16 in kits specified; contact TLV for COSR-21 parts

(A1) Maintenance kit for COSR-3 (20 to 50 mm, 3/4" to 2") and COSR-16 (15 to 50 mm, 1/2" to 2")

(A2) Maintenance kit for COSR-16 (65 to 150 mm, 2 1/2" to 6") and COSR-16HT (65 to 100 mm, 2 1/2" to 4")

(B) Repair kit for Main Valve

(C1) Repair kit for Piston for COSR-3 (20 to 50 mm, 3/4" to 2") and COSR-16 (15 to 50 mm, 1/2" to 2")

(C2) Repair kit for Piston for COSR-16 (65 to 150 mm, 2 1/2" to 6") and COSR-16HT (65 to 100 mm, 2 1/2" to 4")

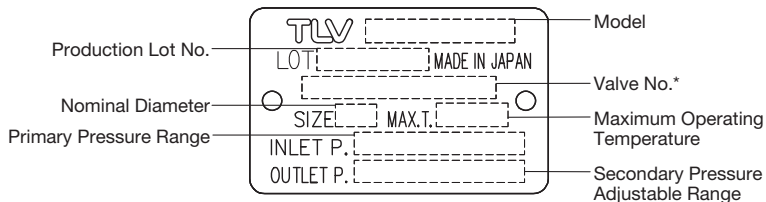
(D1) Repair kit for Piston Ring for COSR-3 (20 to 50 mm, 3/4" to 2") and COSR-16 (15 to 50 mm, 1/2" to 2")

(D2) Repair kit for Piston Ring for COSR-16 (65 to 150 mm, 2 1/2" to 6") and COSR-16HT (65 to 100 mm, 2 1/2" to 4")

(E) Repair kit for Pilot Valve

3. Specifications

Refer to the product nameplate for detailed specifications.

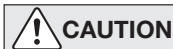


* Valve No. is displayed for products with options. This item is omitted from the nameplate when there are no options.

Acceptable Operating Range

Model	COS-3 COSR-3	COS-16 COSR-16 COSR-16HT	COS-21 COSR-21
Primary Pressure Range	0.1 to 0.3 MPaG 1 to 3 barg 15 to 45 psig	0.2 to 1.6 MPaG 2 to 16 barg 30 to 250 psig	1.35 to 2.1 MPaG 13.5 to 21 barg 190 to 300 psig
Secondary Pressure Adjustable Range (All conditions must be met)	0.01 to 0.05 MPaG 0.1 to 0.5 barg 1.5 to 7 psig	Within 10 to 84% of primary pressure	
		Minimum adjustable pressure of 0.03 MPaG, 0.3 barg, 5 psig	Minimum adjustable pressure of 0.55 MPaG, 5.5 barg, 80 psig
		Pressure differential between 0.07 to 0.85 MPaG 0.7 to 8.5 barg 10 to 120 psig	Maximum pressure differential of 0.85 MPa 8.5 barg 120 psig
Minimum Adjustable Flow Rate	5% of rated flow rate	5% of rated flow rate; 10% of rated flow rate for sizes 65 mm and larger	

1 MPa = 10 bar = 10.197 kg/cm²



To avoid malfunctions, product damage, accidents or serious injury, install properly and DO NOT use this product outside the specification range. Local regulations may restrict the use of this product to below the conditions quoted.

4. Piping and Installation



CAUTION

- Installation, inspection, maintenance, repairs, disassembly, adjustment and valve opening/closing should be carried out only by trained maintenance personnel.
- Take measures to prevent people from coming into direct contact with product outlets.
- Install for use under conditions in which no freeze-up will occur.
- Install for use under conditions in which no water hammer will occur.

4.1 Recommended Straight Pipe Runs

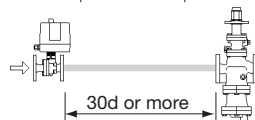
If the COS/COSR is installed either directly before or after an elbow or control valve, unevenness in flow may result in chattering and unstable pressure.

To ensure stable steam flow, it is recommended that the COS/COSR be installed on straight runs of piping, as illustrated below.

① Inlet (primary side) of the COS/COSR

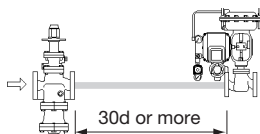
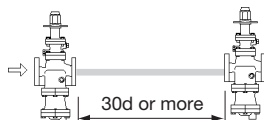
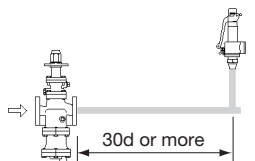
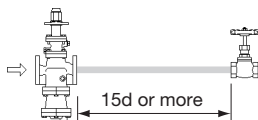
- Maintain a straight piping run of $10d$ or more when a manual valve, a strainer or an elbow, etc. is installed.
(Example: if nominal size is 25 mm (1"), have 250 mm (10") or more)
- Maintain a straight piping run of $30d$ or more when an automated valve (on-off valve) is installed.
(Example: If nominal size is 25 mm (1"), have 750 mm (30") or more)

d = pipe diameter



② Outlet (secondary side) of the COS/COSR

- Maintain a straight piping run of $15d$ or more when a manual valve, a strainer or an elbow, etc. is installed.
(Example: If nominal size is 25 mm (1"), have 375 mm (15") or more)
- Maintain a straight piping run of $30d$ or more when a safety valve is installed.
(Example: If nominal size is 25 mm (1"), have 750 mm (30") or more)
- Maintain a straight piping run of $30d$ or more when another pressure reducing valve is installed. (Two-stage pressure reduction)
(Example: If nominal size is 25 mm (1"), have 750 mm (30") or more)
- Maintain a straight piping run of $30d$ or more when a control valve or an automated valve (on-off valve) is installed.
(Example: If nominal size is 25 mm (1"), have 750 mm (30") or more)



4.2 Installing an ON-OFF Valve (solenoid valve or motorized valve)

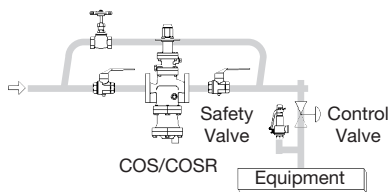
If an on-off valve is required to stop supply of steam to the steam-using equipment, install it at the inlet side of the COS/COSR (see section 4.1). If a solenoid valve is installed at the outlet of the COS/COSR, it will cause heavy chattering and may lead to damage of the piston and main valve. (When the on-off valve opens, the secondary pressure of the COS/COSR changes from zero to the set pressure. Passing through an area of the reducing ratio of less than 10:1 where adjustment is impossible, chattering occurs momentarily.)

To save energy, install the on-off valve as near to the boiler as possible.

To prevent water hammer, it is recommended that a slow-acting motorized on-off valve be used. If a fast-acting solenoid valve is used, the potential water hammer effect can damage the steam-using equipment and the COS/COSR.

4.3 Installing a Control Valve

A control valve (i.e. for temperature control) installed between the COS/COSR and the steam equipment (downstream of the COS/COSR) may raise pressure between the COS/COSR and the control valve when the control valve is closed, depending on their spatial relationship. Therefore, the control valve should be installed close to the steam-using equipment. Also, a safety valve should be installed downstream of the control valve.



NOTE: When installing a safety valve to protect steam-using equipment, be sure to install it on the equipment or directly before the inlet of the steam-using equipment. If the safety valve is installed between the COS/COSR and a control valve, an eventual pressure rise could activate the safety valve

4.4 Blowdown

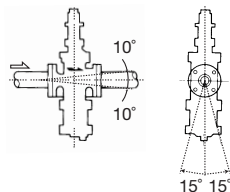
Before installing the COS/COSR unit, be sure to blow down all piping thoroughly. If this is not possible, perform a blowdown using the bypass valve. Blowdown is especially important for newly installed piping or after the system has been shut down for a long period of time.

4.5 Remove Protective Seals

Before installation, be sure to remove all protective seals and caps covering the product inlet and outlets. (Found at 3 locations for the COS, 2 locations for the COSR.)

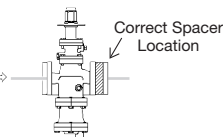
4.6 Installation Angle

Make sure the COS/COSR is installed on horizontal piping, so that the arrow mark on the body matches the direction of steam flow and the adjustment screw section faces up. Allowable inclination is 10 degrees in the fore-aft direction and 15 degrees in the plane perpendicular to the steam flow line.



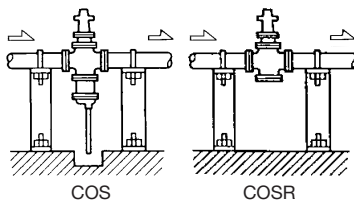
4.7 Spacer Installation

If spacing adjustment is necessary to accommodate installation, install a spacer on the outlet flange. The spacer should consist of a spacer, gaskets, bolts and nuts. Fit gaskets to both sides of the spacer between the COS/COSR outlet and the pipe flange. Fasten with bolts and nuts.



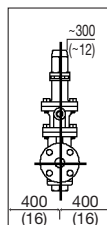
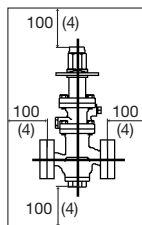
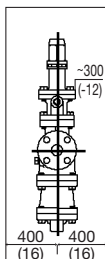
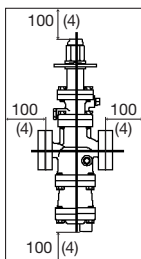
4.8 Piping Support

Install the COS/COSR, paying attention to avoid excessive load, bending or vibration. Support the inlet and outlet pipes securely.



4.9 Maintenance Space

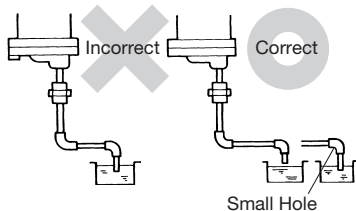
Leave sufficient space for maintenance, inspection and repair.



Units: mm (inch)

4.10 Trap Outlet Pipe (COS)

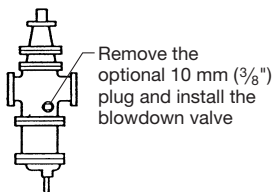
For ease of maintenance, installation of a union connection is recommended for the trap outlet pipe. Connect the outlet pipe to a condensate return line, or extend it to a trench. In the case of the latter, make sure the end of the pipe is above the waterline. (Dirt and water may be sucked up by the vacuum formed during trap closure and system shutdown.)



4.11 Blowdown Valve (COS) (requires optional plug)

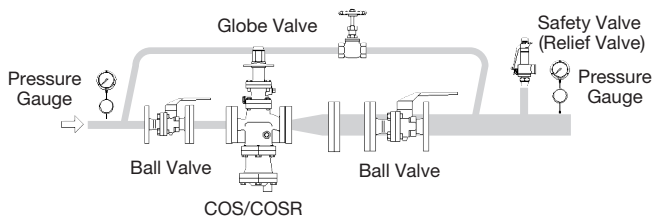
In an environment of heavy dirt or scale, or when the steam equipment is used only periodically, such as for room heating equipment, be sure to use a blowdown valve.

1. Remove the plug from the main body.
2. Install the blowdown valve.
3. Open the blowdown valve and blow any residual dirt and scale off of the separator screen.
4. Periodically activate the blowdown valve to keep the system free of dirt and scale.



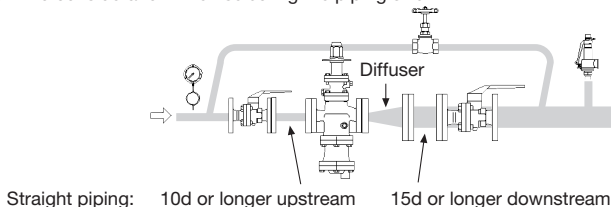
4.12 Accessories

Always install a shutoff valve and pressure gauge at both the inlet and outlet, and a shutoff valve in the bypass line. Ball valves, which will not retain condensate, are recommended for inlet and outlet shutoff valves. The bypass pipe should be at least one half the size of the inlet pipe.



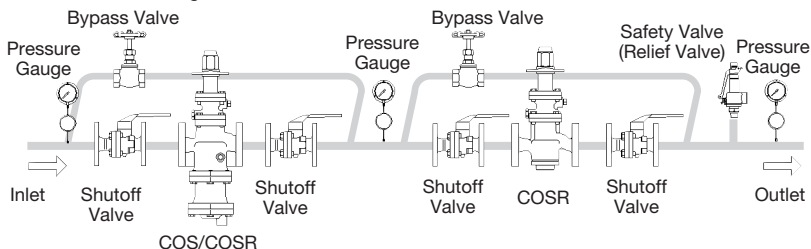
4.13 Piping Size/Diffuser

If the secondary steam flow velocity is expected to be more than 30 m/s (100 ft/s), install a diffuser in order to keep the flow velocity below 30 m/s (100 ft/s). If the distance between the reducing valve and the steam-using equipment is great, a possible drop in pressure should be taken into consideration when selecting the piping size.



4.14 Two-stage Pressure Reduction

Two-stage pressure reduction should be performed whenever the pressure cannot be reduced to the desired level with a single COS/COSR due to operating range limitations, such as when the reduction ratio is greater than 10:1.



4.15 Strainer Installation (COSR)

A strainer should be installed ahead of the COSR. The strainer should be 60 mesh or finer, but not so fine that it causes constriction of the flow area and a subsequent pressure drop. The strainer should be installed horizontally and at 90° to its normal orientation to the pipeline, in order to prevent condensate accumulation in the screen body (see picture).



4.16 External Sensing Line

NORTH AMERICAN MODELS

North American models are factory prepared for external sensing.

An external sensing line **MUST** be installed.

DO NOT SUPPLY STEAM until all piping and a 10 mm ($\frac{3}{8}$ ") secondary pressure sensing line with a slightly falling pitch have been properly installed. Install a shutoff valve in the pressure sensing line for maintenance purposes.



Keep the shutoff valve in the pressure sensing line open at all times during operation. If the shutoff valve is closed, **COS/COSR will fully open and PRIMARY PRESSURE WILL BE SUPPLIED TO THE EQUIPMENT** (see 4.16 number 5).

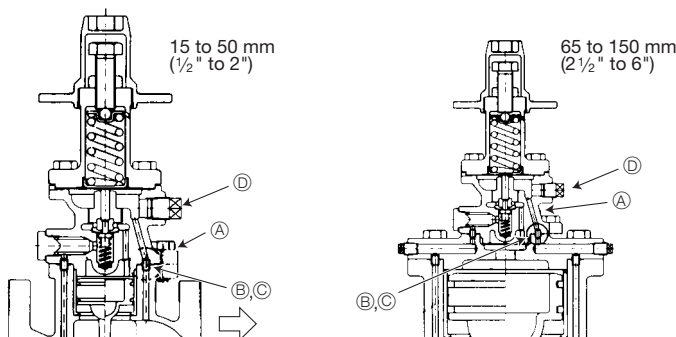
OTHER MODELS

Other models are factory prepared for internal sensing.

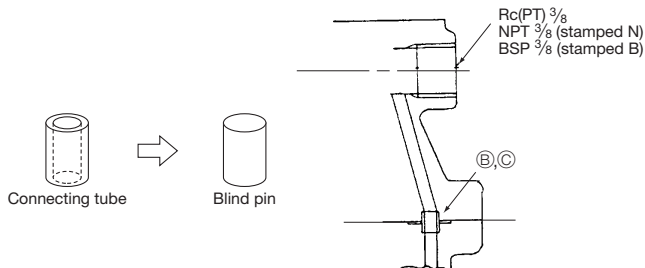
A secondary pressure detection port has been added to all COS/COSR pilot bodies to allow for installation of a 10 mm ($\frac{3}{8}$ ") secondary pressure sensing line, which improves performance and increases valve capacity (flow rate). All except North American models are delivered with a secondary pressure sensing line plug installed in this port.

When the external detection method is used, follow the installation procedure shown below: (for North American models, the blind pin has been factory installed and no secondary pressure sensing line plug is provided).

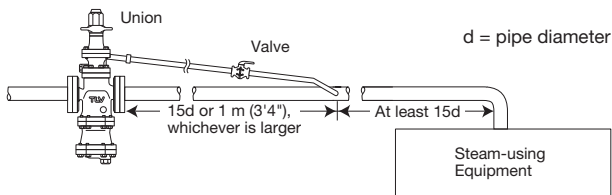
- Loosen and remove the four (4) bolts (A) that attach the pilot body to the main body (15 to 50 mm, $\frac{1}{2}$ " to 2") or the pilot cover (65 to 150 mm, 2 $\frac{1}{2}$ " to 6"), and remove the pilot body.



- Install the blind pin (B) provided by first removing the connecting tube (C) from the main body or pilot cover and then substituting the pin.



- Re-install the pilot body and fasten the four (4) bolts (A) evenly to the fastening torque shown on section 6.8.
- Next, loosen and remove the threaded secondary pressure sensing line plug (D) to install the external pressure sensing line.
- Install the secondary pressure sensing line with a slightly falling pitch.
The 10 mm ($\frac{3}{8}$ ") pipe should be connected to a point where the pressure is to be sensed. The connection must be at a point on the main piping where there is a straight section of upstream main piping of a length of 15d (d = pipe diameter), or 1 m (3'4"), whichever is greater, and a straight section of downstream main piping of a length of at least 15d.

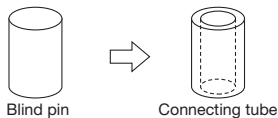


A shutoff valve and pipe union should be installed in the secondary pressure sensing line, to be used when the valve is taken out of service (see beginning of section 4.16).

4.17 Internal Sensing for North American Models

All models except North American models are factory prepared for internal sensing. When internal pressure sensing is required for North American models, please contact the nearest TLV representative to request both a connecting tube, which must be installed in place of the blind pin, and a threaded secondary pressure sensing plug.* Follow the connecting tube installation procedure shown below:

- Loosen and remove the four (4) bolts that attach the pilot body to the main body (15 to 50 mm, $\frac{1}{2}$ " to 2") or the pilot cover (65 to 150 mm, $2\frac{1}{2}$ " to 6"), and remove the pilot valve body.
- Install the connecting tube by first removing the blind pin from the secondary side of the main body or pilot cover and then substituting the connecting tube.



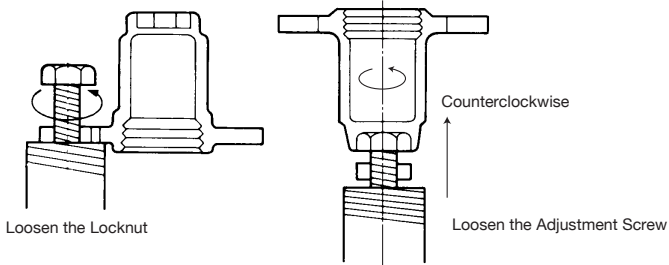
- Re-install the pilot body and fasten the four (4) bolts evenly.
Consult section 6.8 in this manual for torque requirements of these bolts.
- If a secondary pressure sensing pipe has previously been installed, remove it and be certain to install the threaded secondary pressure sensing line plug in its place.

* Internal sensing should not be used when 15 mm ($\frac{1}{2}$ ") and 20 mm ($\frac{3}{4}$ ") COS-16/COSR-16 will be used below 0.3 MPaG (3 barg, 45 psig) and 0.1 MPaG (1 barg, 15 psig) respectively, and below 50% of primary pressure.

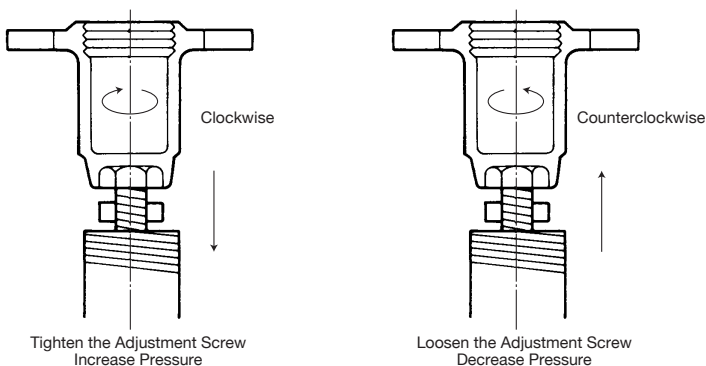
5. Adjustment

The COS/COSR reducing valve should be properly adjusted for protection of the steam equipment against water hammer.

1. It is necessary to blow down all pipe lines thoroughly. The blowdown is especially important if the line is new or has been shut down for a long period of time. Take particular care to ensure that matter such as condensate and dirt does not remain inside the steam equipment.
(Stay clear of any pressurized blow-out from the safety valve.)
2. Make sure that the shutoff valve and the bypass valve located upstream and downstream of the COS/COSR are completely closed.
3. Remove the spanner cap, loosen the locknut and turn the adjustment screw counterclockwise to reduce tension on the coil spring.



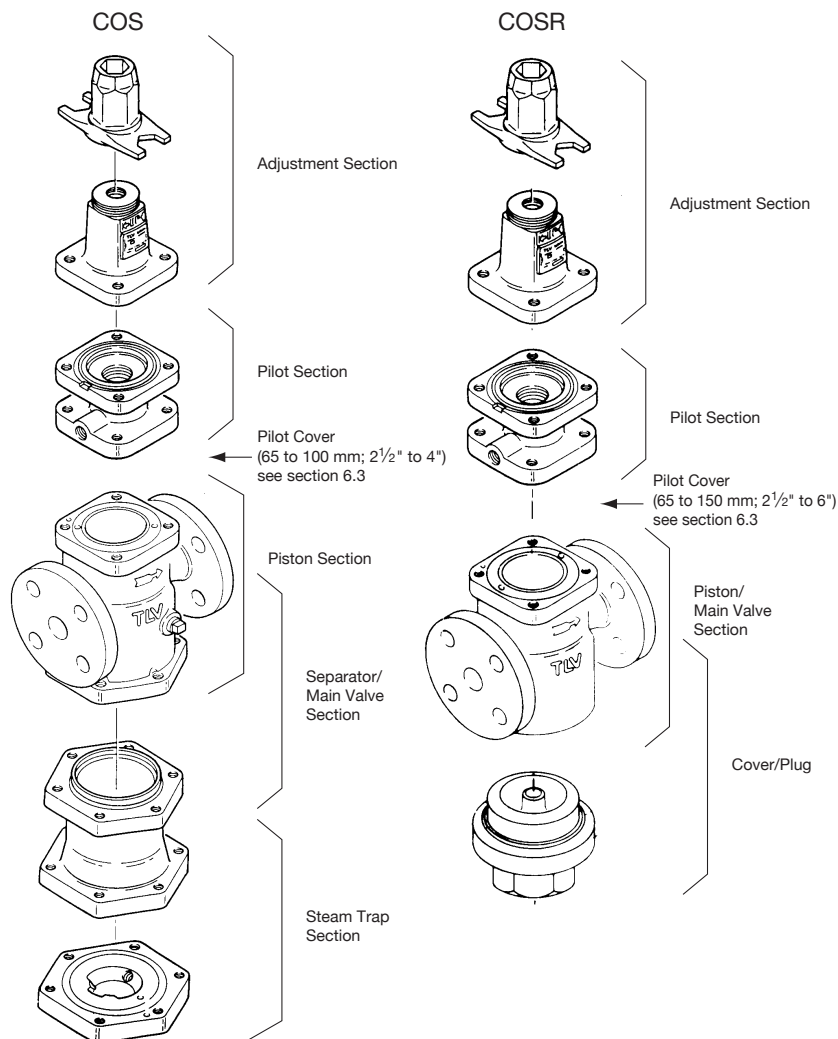
4. Slowly, fully open the shutoff valve at the inlet of the COS/COSR. Allow sufficient time for condensate remaining at the inlet of the COS/COSR to be discharged.
5. Slightly open the shutoff valve at the outlet of the COS/COSR.
6. Turn the adjustment screw until the desired outlet pressure is obtained. Wait several minutes.



7. Slowly, fully open the shutoff valve on the outlet side.
8. After setup, tighten the locknut and replace the spanner cap.
9. When shutting down the system, always close the outlet shutoff valve first and then the inlet valve.

6. Disassembly and Inspection

It is a recommended practice to dismantle and inspect the COS/COSR once a year for preventive maintenance purposes. It is especially important to do so immediately after the initial run of a new line or before or after the equipment is out of service for a long period of time.



The size and shape of some COS and COSR parts for large valve sizes will be different from those shown.

**CAUTION**

- Installation, inspection, maintenance, repairs, disassembly, adjustment and valve opening/closing should be carried out only by trained maintenance personnel.
- Be sure to use the proper components and NEVER attempt to modify the product.

6.1 Before Disassembly

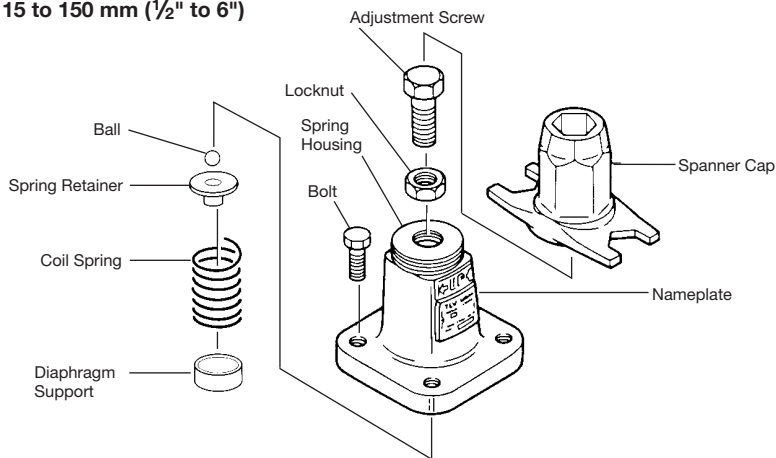
Remove all steam from the piping (both upstream and downstream). If the steam supply to the system cannot be shut off, change over to bypass operation. Close shutoff valves at the inlet and outlet of the COS/COSR completely. Relieve residual steam pressure by loosening slightly the spring housing bolt and pilot screen holder or sensing line plug. Wait for the body to cool before attempting to remove the COS/COSR from the line. Then remove inlet and outlet flange retaining bolts and trap discharge pipe union connection (COS) to permit removal of the COS/COSR for disassembly and inspection. Secure the COS/COSR in a vise to perform the inspection.

6.2 Disassembling the Adjustment Section

Loosen the adjustment screw completely and remove the bolts. Having removed the spring housing, you will see the diaphragm support, coil spring, spring retainer and ball.

Check for seizure or any damaged screw threads.

15 to 150 mm (1/2" to 6")

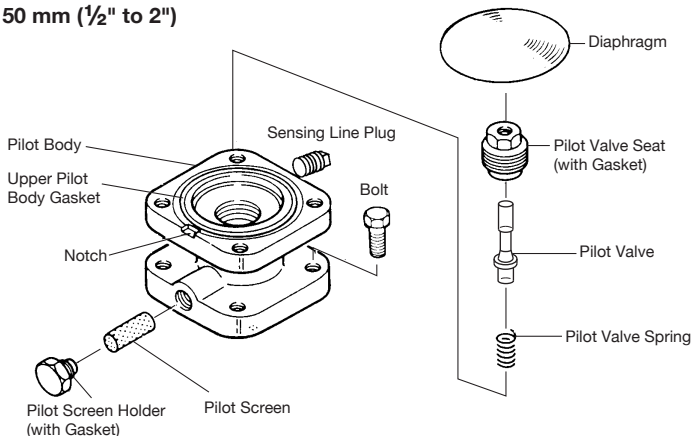


6.3 Disassembling the Pilot Section

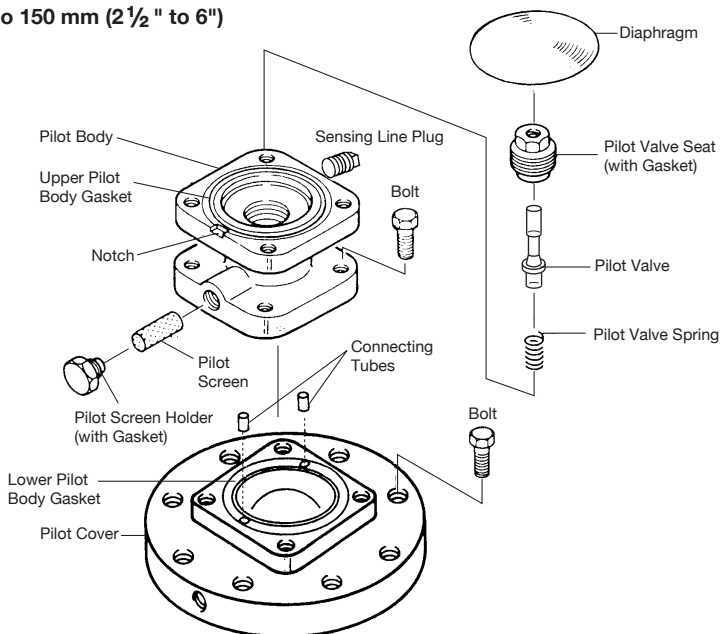
The diaphragm is removed by utilizing the notch in the pilot body. Loosen and remove the pilot valve seat with a box wrench. Pick up the pilot valve and the pilot valve spring with a pair of tweezers. Loosen the pilot screen holder to remove the pilot screen.

Check for any fault on the seat of the pilot valve, flaws on the gaskets, and clogging of the pilot screen. Check for deformation, corrosion or faults on the diaphragm. The diaphragm should be convex (open downward), with the printed UP mark on the top.

15 to 50 mm ($\frac{1}{2}$ " to 2")



65 to 150 mm ($2\frac{1}{2}$ " to 6")

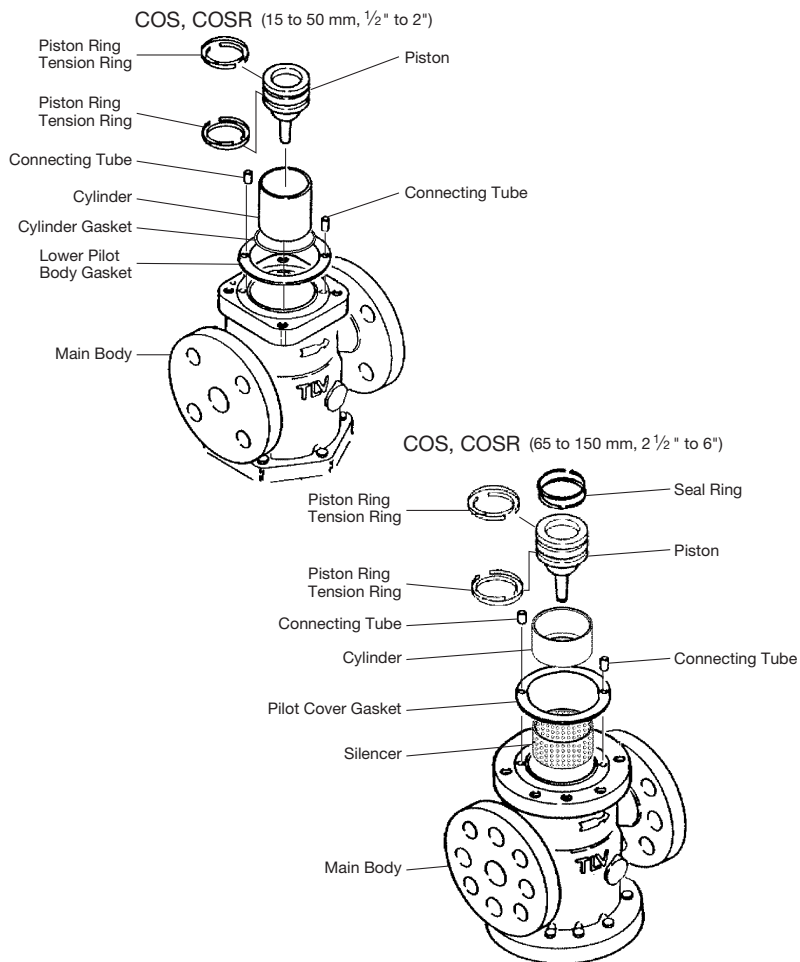


6.4 Disassembling the Piston Section

Remove the pilot body after loosening and removing the bolts. During this process, pay attention not to lose the connecting tubes. Remove the piston, the cylinder and the silencer (only sizes 65 to 150 mm, 2 1/2" to 6") from the main body. Then remove the piston rings and the tension rings from the piston.

NOTE: Do not apply too much force when removing the piston rings and tension rings.

Inspect the interior of the cylinder, the exterior of the piston rings, the small hole on the piston and the gaskets for any fault or abnormality.



The size and shape of some COS and COSR parts will be different from those shown.

6.5 Disassembling the Separator (COS) and Main Valve (COS/COSR)

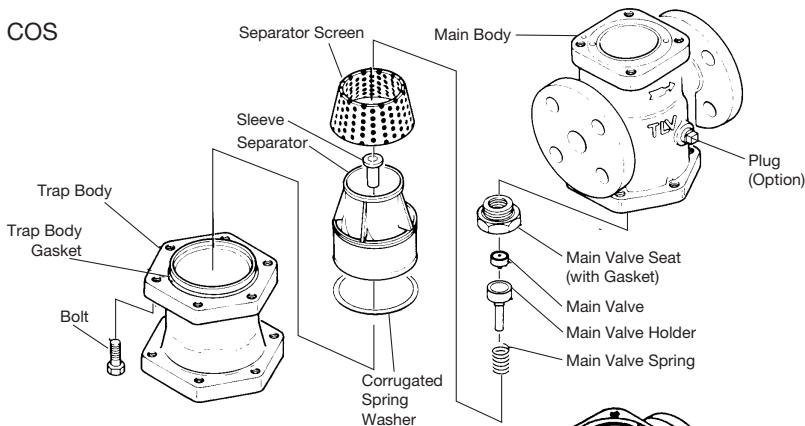
Turn the COS upside down for easy dismantling of the separator and main valve. Loosen the bolts and remove the trap body. Be careful, as the separator may drop off when the COS is returned to the normal attitude.

Removal of the separator and pressed-in sleeve for COS, or the cover plug for COSR, permits removal of the main valve spring, the main valve, the main valve holder and the separator screen. Remove the main valve seat from main the body with a box wrench.

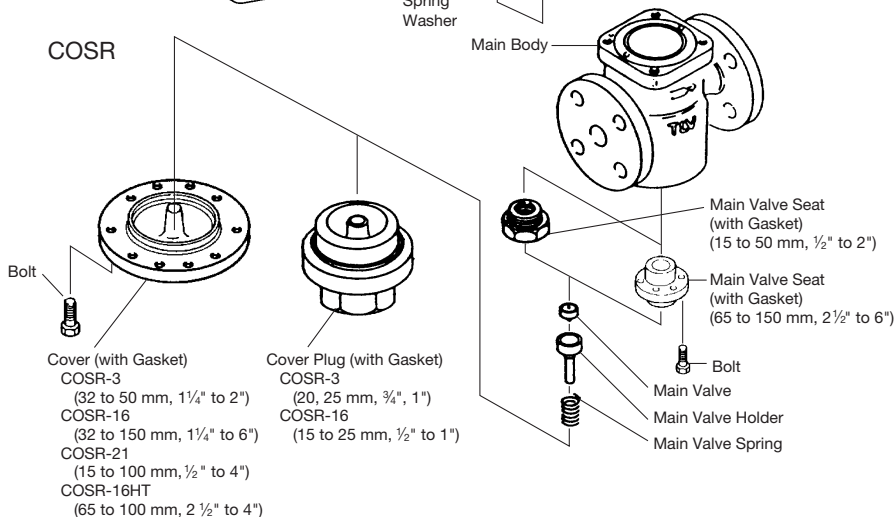
Check for damage on the seating and sliding surfaces of the main valve and main valve holder, the seating surface of the main valve seat and the gaskets, and for clogging of the separator screen.

[At start-up following shutdown for a long period, always blow down the piston section of the main body through the plug (if optional plug is supplied).]

COS



COSR



The size and shape of some COS and COSR parts for large valve sizes will be different from those shown.

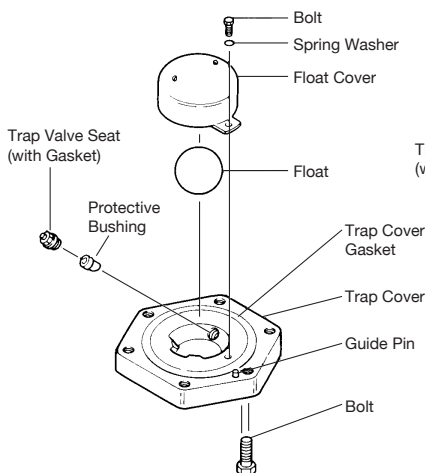
6.6 Disassembling the Steam Trap (COS)

Loosen the bolts and remove the trap cover. Be careful, as hot condensate may splash out.

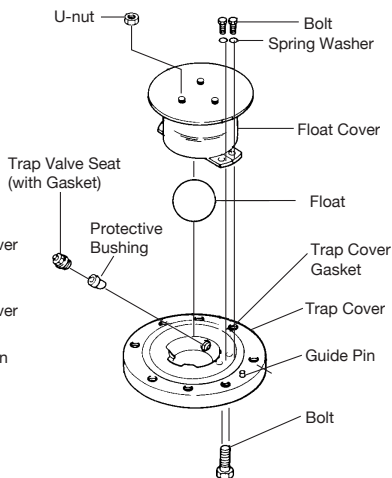
Remove the bolts from the trap cover and the float cover to reveal the float. Remove the float, then loosen and remove the trap valve seat with a box wrench.

Check to verify that there is no deformation of the float, abnormality in the trap valve seat, or dirt accumulation in the trap cover.

15 to 50 mm (1/2" to 2")



65 to 100 mm (2 1/2" to 4")



6.7 Cleaning

After inspection and removal of any abnormality, clean and reassemble the parts. The following parts will require cleaning before reassembly. A mild detergent should be used for effective cleaning.

COS, COSR

Main Valve Seat	Pilot Screen
Main Valve	Pilot Valve
Main Valve Holder	Pilot Valve Seat
Piston	Adjustment Screw
Piston Ring	Spring Retainer
Cylinder	

COS

Trap Cover
Float
Trap Valve Seat
Separator Screen

COSR

Cover Plug/Cover

6.8 Reassembly

Assemble the unit using the same procedure as used for dismantling it, but in reverse order.

1. Standard torque for fastening the respective bolts are as follows:

Part	Connection Size mm (inch)	Distance Across Flats mm (inch)	Torque N·m (lbf·ft)
Bolt for Spring Housing/Pilot Body	All	16 or 17* ($\frac{5}{8}$ or $2\frac{1}{32}$ *)	40 (29)
Pilot Valve Seat	All	18 or 19* ($\frac{11}{16}$ or $\frac{3}{4}$ *)	70 (51)
Pilot Screen Holder	All	24 ($\frac{15}{16}$)	40 (29)
Bolt for Pilot Body/Main Body	15 to 40 ($\frac{1}{2}$ to $1\frac{1}{2}$)	16 or 17* ($\frac{5}{8}$ or $2\frac{1}{32}$ *)	60 (44)
	50 (2)	18 or 19* ($\frac{11}{16}$ or $\frac{3}{4}$ *)	70 (51)
Bolt for Pilot Body/Pilot Cover	65 to 150 ($2\frac{1}{2}$ to 4)	16 or 17* ($\frac{5}{8}$ or $2\frac{1}{32}$ *)	60 (44)
	65, 80 ($2\frac{1}{2}$, 3)	18 or 19* ($\frac{11}{16}$ or $\frac{3}{4}$ *)	70 (51)
Bolt for Pilot Cover/Main Body	100, 125 (4, 5)	24 ($\frac{15}{16}$)	150 (110)
	150 (6)	36 ($1\frac{3}{32}$)	300 (220)
Bolt for Main Body/Trap Body (COS only)	15 to 40 ($\frac{1}{2}$ to $1\frac{1}{2}$)	16 or 17* ($\frac{5}{8}$ or $2\frac{1}{32}$ *)	60 (44)
	50 to 80 (2 to 3)	19 ($\frac{3}{4}$)	70 (51)
	100 (4)	24 ($\frac{15}{16}$)	150 (110)
Bolt for Trap Body/Trap Cover (COS only)	15 to 40 ($\frac{1}{2}$ to $1\frac{1}{2}$)	16 or 17* ($\frac{5}{8}$ or $2\frac{1}{32}$ *)	60 (44)
	50 to 80 (2 to 3)	19 ($\frac{3}{4}$)	70 (51)
	100 (4)	24 ($\frac{15}{16}$)	150 (110)
Main Valve Seat	15, 20 ($\frac{1}{2}$, $\frac{3}{4}$)	36 ($1\frac{3}{32}$)	100 (73)
	25 (1)	41 ($\frac{15}{8}$)	125 (92)
	32, 40 ($1\frac{1}{4}$, $1\frac{1}{2}$)	60 ($2\frac{3}{8}$)	250 (185)
	50 (2)	70 ($2\frac{3}{4}$)	300 (220)
Bolt for Main Valve Seat	65, 80 ($2\frac{1}{2}$, 3)	13 ($\frac{1}{2}$)	30 (22)
	100, 125 (4, 5)	16 or 17* ($\frac{5}{8}$ or $2\frac{1}{32}$ *)	40 (29)
	150 (6)	22 ($\frac{7}{8}$)	70 (51)
Bolt for Float Cover (COS only)	15, 20 ($\frac{1}{2}$, $\frac{3}{4}$)	8 ($\frac{5}{16}$)	7 (5)
	25 to 40 (1 to $1\frac{1}{2}$)	10 ($\frac{3}{8}$)	10 (7)
	50 to 100 (2 to 4)	13 ($\frac{1}{2}$)	20 (15)
Trap Valve Seat (COS only)	15, 20 ($\frac{1}{2}$, $\frac{3}{4}$)	11 ($\frac{7}{16}$)	10 (7)
	25 to 40 (1 to $1\frac{1}{2}$)	13 ($\frac{1}{2}$)	15 (11)
	50 to 80 (2 to 3)	17* ($2\frac{1}{32}$ *)	40 (29)
	100 (4)	19 ($\frac{3}{4}$)	55 (40)
Cover Plug (COSR only)	15, 20 ($\frac{1}{2}$, $\frac{3}{4}$)	41 ($\frac{15}{8}$)	250 (185)
	25 (1)	46 ($1\frac{13}{16}$)	350 (260)
Bolt for Cover/Main Body (COSR only)	15 to 25 ($\frac{1}{2}$ to 1)	16 or 17* ($\frac{5}{8}$ or $2\frac{1}{32}$ *)	60 (44)
	32, 40 ($1\frac{1}{4}$, $1\frac{1}{2}$)	16 or 17* ($\frac{5}{8}$ or $2\frac{1}{32}$ *)	60 (44)
	50 to 80 (2 to 3)	18 or 19* ($\frac{11}{16}$ or $\frac{3}{4}$ *)	70 (51)
	100, 125 (4, 5)	24 ($\frac{15}{16}$)	150 (110)
	150 (6)	36 ($1\frac{3}{32}$)	300 (220)

Sizes 125 and 150 mm (5" and 6") available for COSR only

1 N·m \approx 10 kg·cm

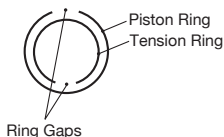
* Size depends on bolt standard

Note: If a torque greater than that recommended is applied, the COS/COSR or components may be damaged.

If drawings or other special documentation were supplied for the product, any torque given there takes precedence over values shown here.

2. The PTFE gasket may be re-used if free from fault, crush or deformation.
3. Apply anti-seize to the threaded portion of screws and bolts, the spring retainer, ball and adjustment screw. Apply a small amount of anti-seize to the threads of the main valve seat, pilot valve seat and pilot screen holder. Apply anti-seize carefully to ensure it does not come into contact with other parts.
4. Fasten the bolts one at a time in an alternating diagonal pattern to provide uniform seating.
5. After assembly, make sure that the piston and the pilot valve operate smoothly without binding.

Assembling the Piston Ring



- 1) Fit the piston ring to the outside of the tension ring.
- 2) The ring gaps should be opposite each other.

6.9 Regular Inspection and Maintenance

To ensure long service life, the following inspection and maintenance should be done regularly.

Part	Inspection and Maintenance Frequency
Separator Screen (COS only), Pilot Screen	Disassemble and clean annually. If there is substantial blockage, install a strainer (approx. 60 mesh) ahead of the COS/COSR.
Main Valve, Main Valve Seat, Pilot Valve and Pilot Valve Seat	Replace after 15,000 hours. If there is chattering or dirt, premature wear may result.
Piston Ring	Replace after 8,000 hours. If there is chattering or if scale build-up is severe, premature wear may result.
Piston	Replace after 30,000 hours. If hunting or chattering takes place, premature wear may result.
Trap Valve Seat	Replace after 40,000 hours. If scale build-up is severe, blockage may occur in a short period of time.
Diaphragm	Replace after 30,000 hours. If hunting or chattering takes place, cracks or fatigue may develop in a short period of time.

7. Troubleshooting

This product is shipped after stringent checks and inspection and should perform its intended function for a long period of time without failure. However, should there be any problem encountered in the operation of the COS/COSR, consult the troubleshooting guide below.

Problems are classified as follows:

1. Secondary pressure does not increase
2. Secondary pressure cannot be adjusted or increases abnormally
3. Hunting occurs (fluctuation in secondary pressure)
4. Chattering occurs (heavy mechanical noise)
5. Steam leaks from the steam trap or condensate is not discharged
6. Abnormal noises

Major causes for the above problems are usage under non-specified conditions (out of specification), insufficient pressure, flow rate and clogs by dirt and scale.

To ensure performance for a long period of time, it is recommended that the Safety Considerations and Adjustment sections be reviewed.

To prevent unforeseen malfunctions, annual disassembly and inspection are recommended. Particularly, inspecting the product, especially after operations following the installation of new piping or during extended periods of shutdown, such as before and after prolonged heating cessation.

Troubleshooting Chart

Problem	Symptom	Cause	Remedy
Secondary pressure does not rise	The body is not warm	No steam is being supplied or the inlet valve is closed	Check the valves
	The body is warm, but pressure does not increase	The screens are clogged	Clean or blow down
Secondary pressure cannot be adjusted or increases abnormally	Adjustment is difficult, and set pressure varies	The pilot screen is clogged	Clean
		There is insufficient steam flow	Check the flow, replace the COS/COSR if necessary
		Piston is clogged with dirt	Clean; check the piston ring
		The small hole on the piston is clogged	Clean
		The piston ring is worn	Replace with a new piston ring
		There is dirt build-up on the sliding surfaces of the pilot valve, piston or main valve	Clean
		Flow rate exceeds rated flow rate	Check the flow rate, replace with a larger size
		The adjustment screw has seized	Replace with a new adjustment screw
		The diaphragm is distorted or damaged	Replace with a new diaphragm
		There is a fluctuation in steam consumption	Check the flow rate, replace the COS/COSR if necessary
The selected model is inappropriate for the service conditions (specifications)	Check the model selection, replace the COS/COSR if necessary		

Troubleshooting Chart (continued)

Problem	Symptom	Cause	Remedy
Secondary pressure cannot be adjusted or increases abnormally (continued)	Upon closing secondary side valves, secondary pressure abruptly rises as high as primary pressure	The bypass valve is leaking	Check, clean, and replace with a new valve if necessary
		The pilot valve seat or main valve seat is damaged or there is a build-up of dirt	Clean; align; replace if necessary
Hunting or chattering occurs	Occurs at low steam demand	COS/COSR is operated below the lower flow rate limit	Check steam supply volume, replace with smaller valve
	Hunting never stops	Reduction ratio is too high (operated at below 10% of the primary pressure)	Use a two-stage reduction arrangement
		The selected model is inappropriate for the service conditions (specifications)	Check the model selection, replace the COS/COSR if necessary
	Chattering never stops	Condensate is contained, or the trap is blocked	Check the trap; check the piping
The selected model is inappropriate for the service conditions (specifications)		Check the model selection, replace the COS/COSR if necessary	
Abnormal noises	Makes a high-pitched noise	Reduction ratio is too high	Use two-stage reduction
		The flow is too great	Check the flow rate, use a larger size valve
		There is a high-speed open/close valve nearby	Install the valve as far away as possible
Faulty steam trap (COS only)	Steam is blowing	There is dirt build-up on the trap valve seat or at the float base	Clean
		The body is installed tilted	Check the piping
		The float is deformed	Check for water hammer; replace with a new float
		Piping vibration	Secure the piping
	No condensate is discharged	The primary pressure exceeds the trap valve seat maximum working pressure (exceeds operating pressure range of COS)	Ensure COS is used within the operating pressure range
		Water is inside the float	Replace with a new float
		The outlet piping is clogged	Check the piping; clean
		The trap valve seat is clogged	Clean or replace with a new trap valve seat

Vorwort

Dampfverbraucher können ihren Zweck nur zufriedenstellend erfüllen, wenn sie mit trockenem Sattdampf betrieben werden. Nasser Dampf, der oftmals auch Ablagerungen, Verschmutzungen und Luft enthält, vermindert nicht nur die Produktivität der Anlage, sondern erhöht auch den natürlichen Verschleiß von Dampfdruckreglern.

TLV Dampfdruckregler der Typenreihe COS und COSR sind innovative Geräte, die problemlos trockenen Sattdampf mit konstantem Druck zur Verfügung stellen können.

Lesen Sie bitte diese Betriebsanleitung sorgfältig durch, bevor Sie COS/COSR Regler einbauen und in Betrieb setzen.


Inhaltsverzeichnis

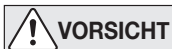
Abschnitt	Seite	Abschnitt	Seite
1 Sicherheitshinweise	27	4.14 Druckreduzierung in	
2 Aufbau	28	2 Stufen	37
COS-3/COS-16/COS-21	28	4.15 Schmutzfänger	37
COSR-3/COSR-16/COSR-21	30	4.16 Externe Steuerleitung	38
COSR-16HT	31	4.17 Interne Steuerleitung für	
3 Technische Daten	33	Nordamerika	39
4 Rohrleitungsführung und Einbauhinweise	34	5 Einstellung	40
4.1 Länge gerader Rohrleitungsstücke	34	6 Ausbau und Inspektion	41
4.2 AUF/ZU-Steuerung	35	6.1 Vor dem Ausbau	42
4.3 Regelventil	35	6.2 Ausbau Einstellbereich	42
4.4 Durchblasen	35	6.3 Ausbau Steuerventilbereich	42
4.5 Verschlusskappen entfernen	35	6.4 Ausbau Kolbenbereich	44
4.6 Einbaulage	35	6.5 Ausbau Abscheider und Hauptventilbereich	45
4.7 Zwischenstück	35	6.6 Ausbau Kondensatableiter	46
4.8 Leitungshalterung	36	6.7 Reinigung	46
4.9 Serviceabstand	36	6.8 Zusammenbau	47
4.10 Entwässerungsleitung	36	6.9 Regelmäßige Inspektion und Wartung	48
4.11 Ausblaseventil	36	7 Fehlersuche	49
4.12 Zubehör	37	8 Eingeschränkte ausdrückliche Garantie der TLV	79
4.13 Leitungsabmessungen/ Rohrerweiterung	37		

1. Sicherheitshinweise

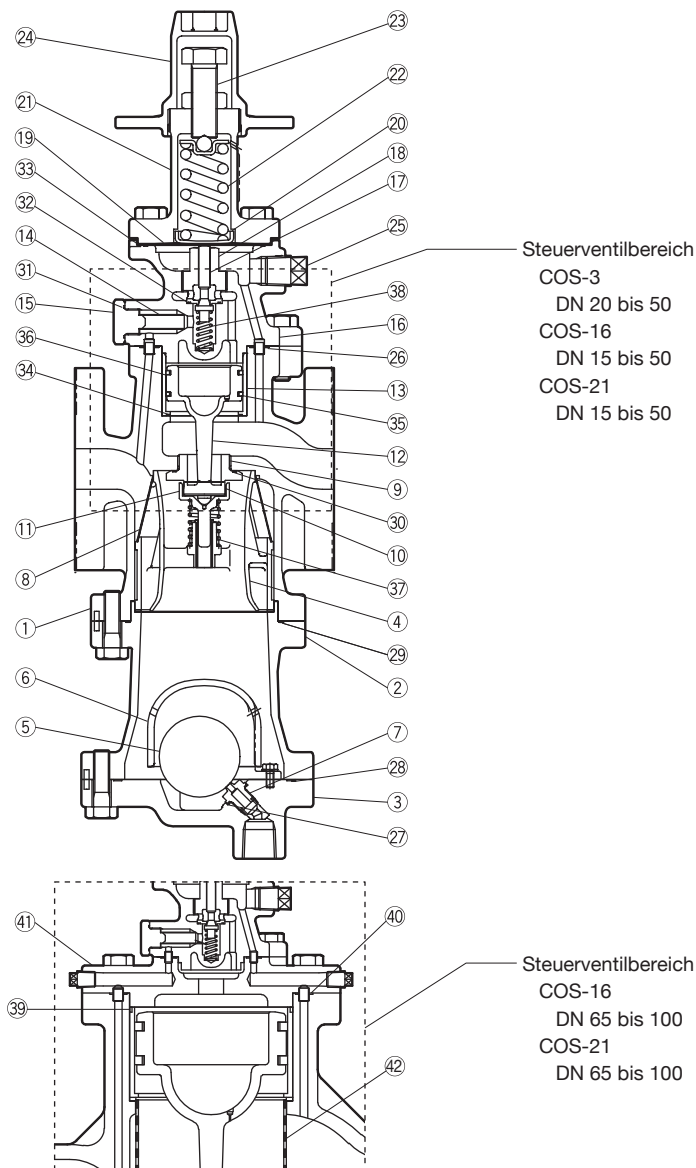
- Bitte lesen Sie dieses Kapitel vor Beginn der Arbeiten sorgfältig durch und befolgen Sie die Vorschriften.
- Einbau und Ausbau, Inspektion, Wartungs- und Reparaturarbeiten, Öffnen/Schließen von Armaturen, Einstellung von Komponenten, dürfen nur von geschultem Wartungspersonal vorgenommen werden.
- Die Sicherheitshinweise in dieser Einbau- und Betriebsanleitung dienen dazu, Unfälle, Verletzungen, Betriebsstörungen und Beschädigungen der Anlagen zu vermeiden. Für Gefahrensituationen, die durch falsches Handeln entstehen können, werden drei verschiedene Warnzeichen benutzt: GEFAHR; WARNUNG; VORSICHT.
- Diese drei Warnzeichen sind wichtig für Ihre Sicherheit. Sie müssen unbedingt beachtet werden, um den sicheren Gebrauch des Produktes zu gewährleisten und Einbau, Wartung und Reparatur ohne Unfälle oder Schäden durchführen zu können. TLV haftet nicht für Unfälle oder Schäden, die durch Nichtbeachtung dieser Sicherheitshinweise entstehen.

 GEFAHR	 WARNUNG	 VORSICHT
Bedeutet, dass eine unmittelbare Gefahr für Leib und Leben besteht.	Bedeutet, dass die Möglichkeit der Gefahr für Leib und Leben besteht.	Bedeutet, dass die Möglichkeit von Verletzungen oder Schäden an Anlagen oder Produkten besteht.

 WARNUNG	Die Schwimmerkugel darf NICHT ERHITZT werden , da sie infolge erhöhten Innendruckes platzen kann, was schwere Unfälle und Verletzungen oder Beschädigung von Anlagen zur Folge hat.
	Die Einbauhinweise beachten und die spezifizierten Betriebsgrenzen NICHT ÜBERSCHREITEN. Nichtbeachtung kann zu Betriebsstörungen oder Unfällen führen. Lokale Vorschriften können zur Unterschreitung der angegebenen Werte zwingen.
	Maximalen Differenzdruck NICHT ÜBERSCHREITEN , da sonst die Kondensatableitung unmöglich werden kann (Blockage).
	Für schwere Werkstücke (ca. 20 kg oder mehr) werden Hebezeuge dringend empfohlen. Nichtbeachtung kann zu Rückenverletzungen oder Verletzungen durch das herunterfallende Werkstück führen.
	In sicherer Entfernung von Auslassöffnungen aufhalten und andere Personen warnen, sich fernzuhalten. Nichtbeachtung kann zu Verletzungen durch austretende Fluide führen.
	Vor Öffnen des Gehäuses und Ausbau von Teilen warten, bis der Innendruck sich auf Atmosphärendruck gesenkt hat und das Gehäuse auf Raumtemperatur abgekühlt ist. Nichtbeachtung kann zu Verbrennungen oder Verletzungen durch austretende Fluide führen.
	Zur Reparatur nur Original-Ersatzteile verwenden und NICHT VERSUCHEN, das Produkt zu verändern. Nichtbeachtung kann zu Beschädigungen führen, die Betriebsstörungen, Verbrennungen oder andere Verletzungen durch austretende Fluide verursachen.
	Bei Schraubanschlüssen keine übermäßige Kraft anwenden , damit die Gewinde nicht beschädigt werden, was zu Verbrennungen oder Verletzungen durch austretende Fluide führt.
	Nur in frostsicherer Umgebung einsetzen. Einfrieren kann das Produkt beschädigen, was zu Verbrennungen oder Verletzungen durch austretende Fluide führt.
Nur an Stellen einbauen, an denen kein Wasserschlag eintreten kann. Wasserschlag kann das Produkt beschädigen und zu Verbrennungen oder Verletzungen durch austretende Fluide führen.	



2. Aufbau COS-3/COS-16/COS-21



Nr.	Bauteil	A1	A2	B	C1	C2	D1	D2	E	F	G
1	Hauptventilgehäuse										
2	KA-Gehäuse										
3	KA-Gehäusedeckel										
4	Abscheider										
5	Schwimmerkugel										✓
6	Schwimmergehäuse										
7	KA-Ventilsitz									✓	
8	Abscheider-Schmutzsieb			✓							
9	Hauptventilsitz			✓							
10	Hauptventil			✓							
11	Hauptventilhalterung			✓							
12	Kolben				✓	✓					
13	Zylinder				✓	✓					
14	Steuerventil-Schmutzsieb								✓		
15	Siebhaltestopfen Steuerventil										
16	Steuerventilgehäuse										
17	Steuerventil								✓		
18	Steuerventilsitz								✓		
19	Membran										
20	Membranhalter										
21	Federgehäuse										
22	Justierfeder										
23	Einstellschraube										
24	Kappe mit Stellschlüssel										
25	Stopfen Steuerleitung										
26	Untere Dichtung Steuerventilgehäuse	✓	✓				✓				
27	Dichtung KA-Ventilsitz	✓	✓							✓	
28	Dichtung KA-Gehäusedeckel	✓	✓							✓	
29	Dichtung KA-Gehäuse	✓	✓	✓							
30	Dichtung Hauptventilsitz	✓	✓	✓							
31	Dichtung Siebhaltestopfen Steuerventil	✓	✓						✓		
32	Dichtung Steuerventilsitz	✓	✓						✓		
33	Obere Dichtung Steuerventilgehäuse	✓	✓						✓		
34	Zylinderdichtung	✓			✓						
35	Kolbenring				✓	✓	✓	✓			
36	Spannring				✓	✓	✓	✓			
37	Hauptventilfeder			✓							
38	Steuerventilfeder								✓		
39	Dichtring		✓			✓					
40	Dichtung Steuerventilgehäusedeckel		✓			✓		✓			
41	Steuerventilgehäusedeckel										
42	Schalldämpfer										

Ersatzteile für Wartung/Reparatur von COS-3/COS-16; für COS-21 bei TLV nachfragen

(A1) Wartungssatz für COS-3 (DN 20 bis 50) und COS-16 (DN 15 bis 50)

(A2) Wartungssatz für COS-16 (DN 65 bis 100)

(B) Hauptventil-Reparatursatz

(C1) Kolben-Reparatursatz für COS-3 (DN 20 bis 50) und COS-16 (DN 15 bis 50)

(C2) Kolben-Reparatursatz für COS-16 (DN 65 bis 100)

(D1) Kolbenring-Reparatursatz für COS-3 (DN 20 bis 50) und COS-16 (DN 15 bis 50)

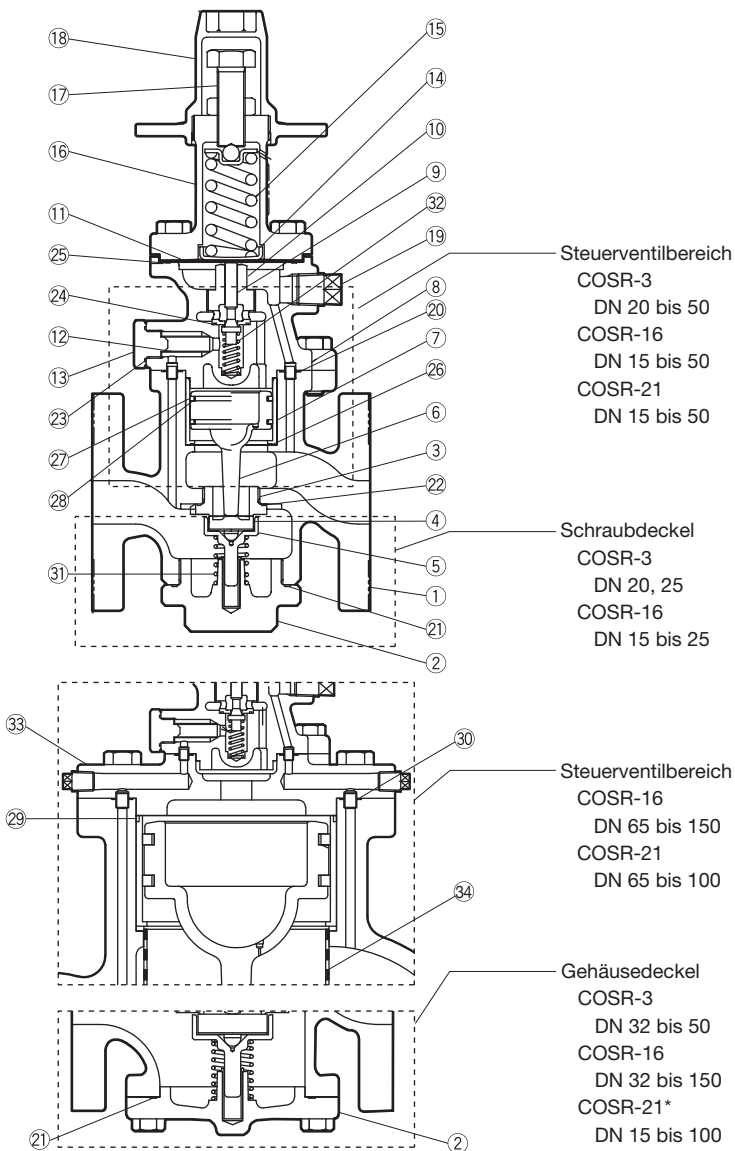
(D2) Kolbenring-Reparatursatz für COS-16 (DN 65 bis 100)

(E) Steuerventil-Reparatursatz

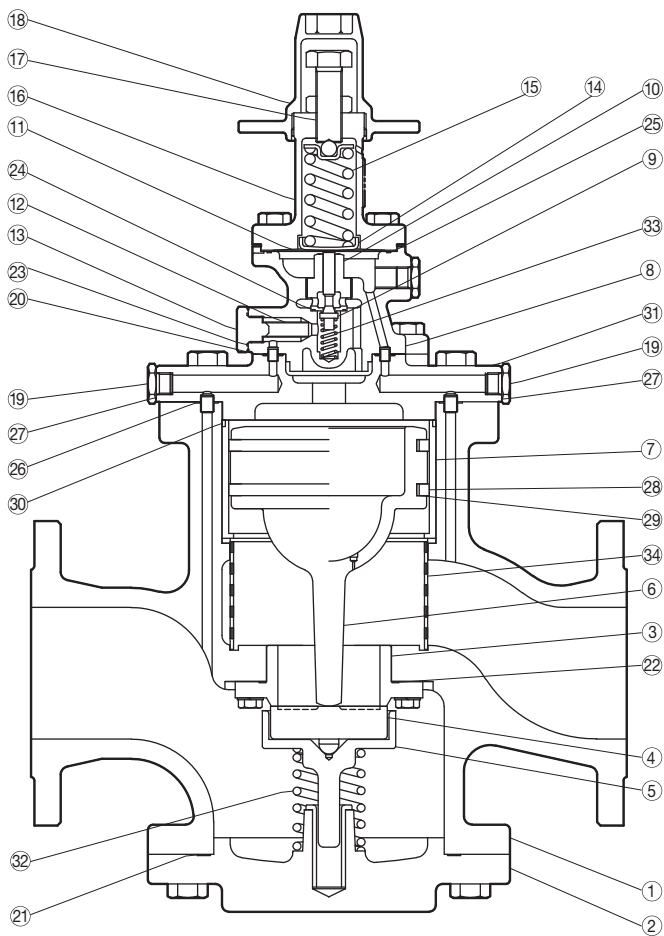
(F) KA-Ventilsitz-Reparatursatz

(G) Schwimmerkugel

COSR-3/COSR-16/COSR-21



*Für Typen mit anderen Anschlüssen als DIN PN Flansch weicht die Formgebung von der gezeigten etwas ab.



Nr.	Bauteil	A1	A2	B	C1	C2	D1	D2	E
1	Hauptventilgehäuse								
2	Schraubdeckel								
	Gehäusedeckel								
3	Hauptventilsitz			✓					
4	Hauptventil			✓					
5	Hauptventilhalterung			✓					
6	Kolben				✓	✓			
7	Zylinder				✓	✓			
8	Steuventilgehäuse								
9	Steuventil								✓
10	Steuventilsitz								✓
11	Membran								
12	Steuventil-Schmutzsieb								✓
13	Siebhaltestopfen Steuerventil								
14	Membranhalter								
15	Justierfeder								
16	Federgehäuse								
17	Einstellschraube								
18	Kappe mit Stellschlüssel								
19	Stopfen Steuerleitung								
20	Untere Dichtung Steuventilgehäuse	✓	✓				✓		
21	Dichtung Schraubdeckel	✓		✓					
	Dichtung Gehäusedeckel	✓	✓	✓					
22	Dichtung Hauptventilsitz	✓	✓	✓					
23	Dichtung Siebhaltestopfen Steuerventil	✓	✓						✓
24	Dichtung Steuventilsitz	✓	✓						✓
25	Obere Dichtung Steuventilgehäuse	✓	✓						✓
26	Zylinderdichtung	✓			✓				
27	Kolbenring				✓	✓	✓	✓	
28	Spannring				✓	✓	✓	✓	
29	Dichtring		✓			✓			
30	Dichtung Steuventilgehäusedeckel		✓			✓		✓	
31	Hauptventilfeder			✓					
32	Steuventilfeder								✓
33	Steuventilgehäusedeckel								
34	Schalldämpfer								

Ersatzteile für Wartung/Reparatur von COSR-3/COSR-16; für COSR-21 bei TLV nachfragen

(A1) Wartungssatz für COSR-3 (DN 20 bis 50) und COSR-16 (DN 15 bis 50)

(A2) Wartungssatz für COSR-16 (DN 65 bis 150) und COSR-16HT (DN 65 bis 100)

(B) Hauptventil-Reparatursatz

(C1) Kolben-Reparatursatz für COSR-3 (DN 20 bis 50) und COSR-16 (DN 15 bis 50)

(C2) Kolben-Reparatursatz für COSR-16 (DN 65 bis 150)

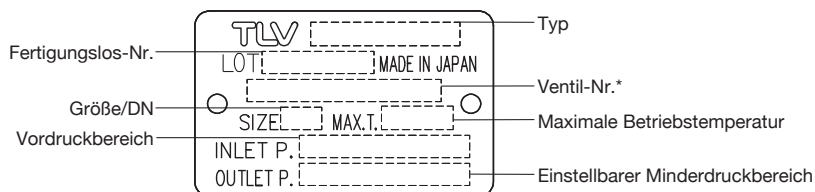
(D1) Kolbenring-Reparatursatz für COSR-3 (DN 20 bis 50) und COSR-16 (DN 15 bis 50)

(D2) Kolbenring-Reparatursatz für COSR-16 (DN 65 bis 150) und COSR-16HT (DN 65 bis 100)

(E) Steuerventil-Reparatursatz

3. Technische Daten

Die Technischen Daten stehen auf dem Typenschild.



* Die Ventil-Nr. wird angegeben bei Typen mit Optionen. Bei Typen ohne Optionen bleibt diese Stelle frei.

Zulässiger Betriebsbereich

Typ	COS-3 COSR-3	COS-16 COSR-16 COSR-16HT	COS-21 COSR-21
Vordruckbereich	1 bis 3 bar ü	2 bis 16 bar ü	13,5 bis 21 bar ü
Einstellbarer Minderdruckbereich (alle Bedingungen sind zu erfüllen)	0,1 bis 0,5 bar ü	Innerhalb 10 bis 84% des Vordrucks	
		Minimal einstellbarer Minderdruck 0,3 bar ü	Minimal einstellbarer Minderdruck 5,5 bar ü
		Differenz zwischen Vor- und Minderdruck 0,7 bis 8,5 bar ü	Maximale Differenz zwischen Vor- und Minderdruck 8,5 bar
Minimal einstellbarer Durchsatz	5% des Nenndurchsatzes	5% des Nenndurchsatzes; 10% des Nenndurchsatzes für DN 65 und größer	

Deutsch



Die Einbauhinweise beachten und die spezifizierten Betriebsgrenzen NICHT ÜBERSCHREITEN. Nichtbeachtung kann zu Betriebsstörungen oder Unfällen führen. Lokale Vorschriften können zur Unterschreitung der angegebenen Werte zwingen.

4. Rohrleitungsführung und Einbauhinweise



- Einbau und Ausbau, Inspektion, Wartungs- und Reparaturarbeiten, Öffnen/Schließen von Armaturen, Einstellung von Komponenten dürfen nur von geschultem Wartungspersonal vorgenommen werden.
- In sicherer Entfernung von Auslassöffnungen aufhalten und andere Personen warnen, sich fern zu halten.
- Druckreduzierventil in frostsicherer Umgebung einbauen.
- Druckreduzierventil nur dort einbauen, wo kein Wasserschlag eintreten kann.

4.1 Länge gerader Rohrleitungsstücke

Wenn COS/COSR entweder direkt vor oder hinter einem Krümmer oder einem Stellventil eingebaut wird, kann ungleichmäßige Strömung auftreten, was zu Ventilklappen führen kann. Um dies zu vermeiden, wird empfohlen, COS/COSR in einer geraden Rohrleitung mit den folgenden Abmessungen einzubauen:

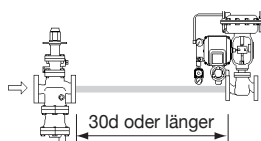
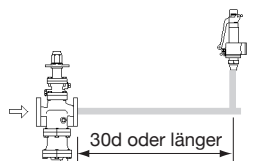
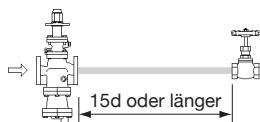
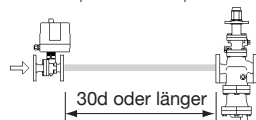
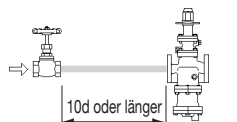
① Einlass (Vordruckseite) von COS/COSR

- Gerade Rohrleitungslänge $10d$ oder länger, wenn ein Absperrventil, ein Schmutzsieb, ein Krümmer o. ä. eingebaut ist.
(Beispiel: bei DN 25: Länge 250 mm oder länger)
- Gerade Rohrleitungslänge $30d$ oder länger, wenn ein AUF/ZU Steuerventil eingebaut ist.
(Beispiel: bei DN 25: Länge 750 mm oder länger)

② Auslass (Minderdruckseite) von COS/COSR

- Gerade Rohrleitungslänge $15d$ oder länger, wenn ein Absperrventil, ein Schmutzsieb, ein Krümmer o. ä. eingebaut ist.
(Beispiel: bei DN 25: Länge 375 mm oder länger)
- Gerade Rohrleitungslänge $30d$ oder länger, wenn ein Sicherheitsventil eingebaut ist.
(Beispiel: bei DN 25: Länge 750 mm oder länger)
- Gerade Rohrleitungslänge $30d$ oder länger, wenn ein weiteres Druckminderventil eingebaut ist. (Druckreduzierung in 2 Stufen)
(Beispiel: bei DN 25: Länge 750 mm oder länger)
- Gerade Rohrleitung mindestens $30d$ wenn hinter dem Druckminderventil ein Stellventil oder ein automatisches AUF/ZU Steuerventil eingebaut ist.
(Beispiel: bei DN 25: Länge 750 mm oder länger)

d = Leitungsdurchmesser

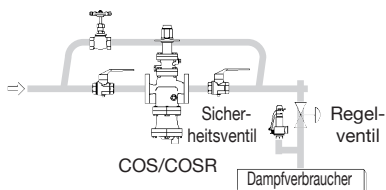


4.2 AUF/ZU- Steuerung (Magnet- oder Motorventil)

Wenn eine AUF/ZU - Steuerung für den Dampfverbraucher vorgesehen ist, sollte das dafür verwendete Motorventil stromauf von COS/COSR installiert werden. Der Einbau eines Magnetventils auf der Austrittsseite von COS/COSR kann zu Schwingungen bzw. Druckstößen führen, die eine Beschädigung von Kolben und Hauptventil bewirken können. Um Wärmeverluste gering zu halten, sollte der Einbau des Absperrorgans möglichst dicht beim Kessel erfolgen. Es werden langsam öffnende Motorventile empfohlen, um die Gefahr von Wasserschlägen zu vermeiden, die sowohl den Dampfverbraucher, als auch COS/COSR beschädigen könnten.

4.3 Regelventil

Ein Regelventil (z. B. für Temperaturregelung) zwischen COS/COSR und dem Dampfverbraucher (hinter COS/COSR) kann bei ungünstigen Abstandsverhältnissen und bei geschlossenem COS/COSR einen Druckanstieg zwischen COS/COSR und dem Regelventil verursachen. Daher wird empfohlen, das Steuerventil so nahe wie möglich am Verbraucher zu installieren. Auch sollte ein Sicherheitsventil hinter COS/COSR vorgesehen werden.



HINWEIS: Beim Einbau eines Sicherheitsventils ist darauf zu achten, dass es direkt vor dem Verbraucher eingebaut wird. Falls es zwischen COS/COSR und einem Regelventil liegt, könnte ein möglicher Druckanstieg zum Abblasen des Sicherheitsventils führen.

4.4 Durchblasen

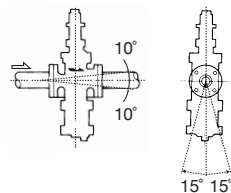
Vor Einbau des COS/COSR die Leitungen gründlich durchblasen. Falls das nicht möglich ist, über die Umgehungsleitung durchblasen. Dies ist besonders wichtig bei Neubauten und wenn die Leitungen längere Zeit außer Betrieb waren.

4.5 Verschlusskappen entfernen

Vor Einbau die Verschlusskappen an den Leitungsanschlüssen des Gehäuses entfernen (an 3 Stellen von COS, 2 Stellen von COSR).

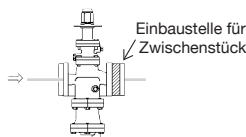
4.6 Einbaulage

COS/COSR ist in eine horizontal verlaufende Leitung einzubauen, mit Durchfluss in Richtung des Pfeiles auf dem Gehäuse, und dem Einstellschraubenbereich nach oben. Der Neigungswinkel der Leitung darf maximal 10° betragen, das Ventil darf maximal 15° außerhalb der Senkrechten stehen.



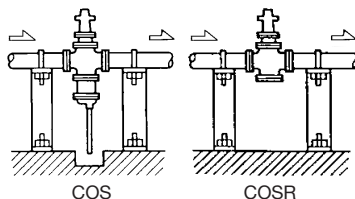
4.7 Zwischenstück

Wird wegen der vorliegenden Leitungsabmessungen ein Zwischenstück benötigt, ist es am Austrittsflansch anzusetzen. Das Zwischenstück ist mit Dichtungen, Schrauben und Muttern auf beiden Seiten zwischen dem Auslass von COS/COSR und dem Flansch an der Leitung einzubauen.



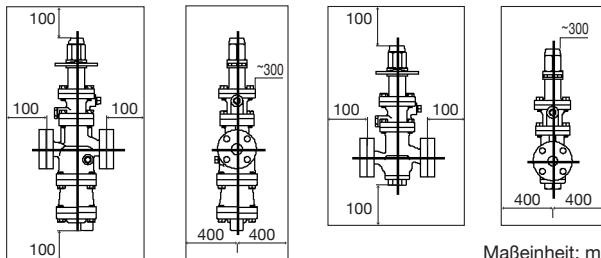
4.8 Leitungshalterung

Die Leitung muss so abgestützt sein, dass COS/COSR spannungs- und vibrationsfrei eingebaut werden kann.



4.9 Serviceabstand

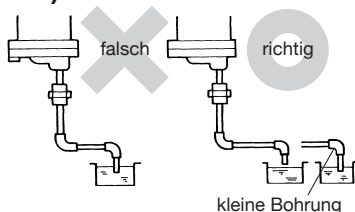
Für Wartung, Reparatur und Inspektion ist genügend Platz vorzusehen



Maßeinheit: mm

4.10 Entwässerungsleitung (nur für COS)

Um Wartung und Inspektion zu erleichtern, wird der Einbau einer Rohrverschraubung in die Entwässerungsleitung empfohlen. Die Leitung in eine Kondensatrückföhrleitung oder einen Sammelbehälter einleiten. Dabei beachten, dass sie nicht eintaucht, da sich sonst bei geschlossenem Ableiter ein Vakuum in der Leitung bilden kann und u. U. Schmutz angesaugt wird.



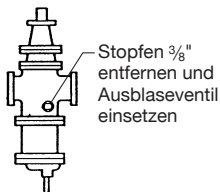
kleine Bohrung

Deutsch

4.11 Ausblaseventil (COS) (benötigt als Option erhältlichen Stopfen)

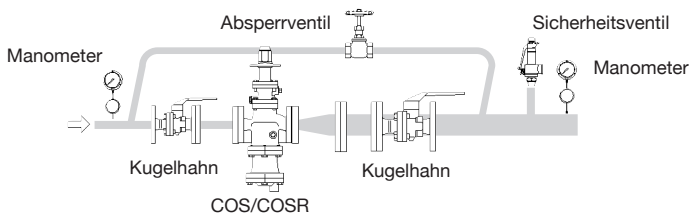
Wenn mit starker Verschmutzung zu rechnen ist, z. B. in Anlagen mit langen Stillstandszeiten, wird die Verwendung eines Ausblaseventils empfohlen. Dieses wird wie folgt, angebaut:

1. Stopfen am Hauptventilgehäuse bei drucklosem Ventil herausschrauben.
2. Ausblaseventil einsetzen.
3. Schmutz bei Ventil unter Druck ausblasen.
4. Ausblasen in angemessenen Zeitabständen wiederholen.



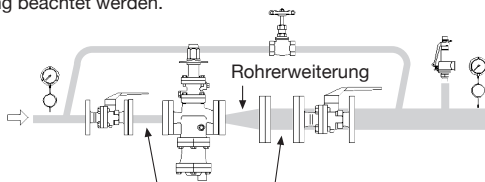
4.12 Zubehör

Es wird empfohlen, Absperrorgane und Manometer am Eintritt und Austritt, sowie eine Umgehungsleitung mit Absperrorgan vorzusehen. Wir empfehlen den Einsatz von Kugelhähnen in der Hauptleitung, um eine Ansammlung von Kondensat zu vermeiden. Die Umgehungsleitung sollte mindestens den halben Durchmesser der Hauptleitung besitzen.



4.13 Leitungsabmessungen/Rohrerweiterung

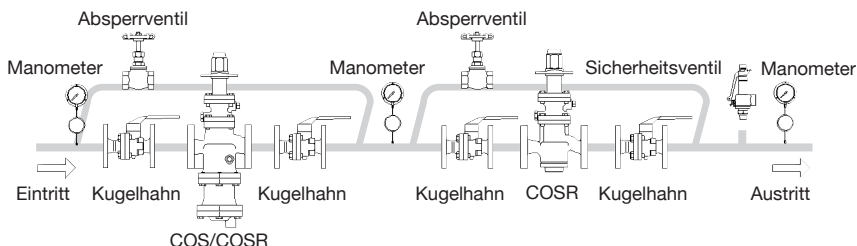
Falls die Durchflussgeschwindigkeit hinter COS/COSR mehr als 30 m/s beträgt, ist eine Rohrerweiterung vorzusehen damit dieser Wert erreicht wird. Wenn der Abstand zwischen COS/COSR und dem Verbraucher groß ist, muss der entsprechende Druckverlust bei der Auslegung der Leitung beachtet werden.



Länge gerader Leitung: 10d oder länger vor dem Ventil, 15d oder länger nach dem Ventil

4.14 Druckreduzierung in 2 Stufen

Die Druckreduzierung in zwei Stufen wird empfohlen, wenn der benötigte Minderdruck wegen der vorliegenden Betriebsbedingungen mit nur einem COS/COSR nicht erreicht werden kann.



4.15 Schmutzfänger (COSR)

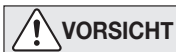
Es wird empfohlen einen Schmutzfänger (Maschenweite 0,25 mm oder kleiner) in Seitenlage einzubauen, damit sich kein Kondensat ansammeln kann. Besonders bei neuen Anlagen und nach längeren Stillstandszeiten wird so ein Verschmutzen des Regelventils vermieden.



4.16 Externe Steuerleitung

COS/COSR FÜR NORDAMERIKA

COS/COSR für Nordamerika werden werksseitig für externe Steuerleitung ausgeführt. Eine Steuerleitung muss vom Kunden angebracht werden. **DAMPF NICHT ZUFÜHREN** bevor die Steuerleitung vollständig montiert ist (DN 10 ($\frac{3}{8}$ ")), zum Dampfverbraucher hin leicht abfallend). Für Wartungszwecke sollte eine dicht schließende Absperrarmatur in die Steuerleitung eingebaut werden.

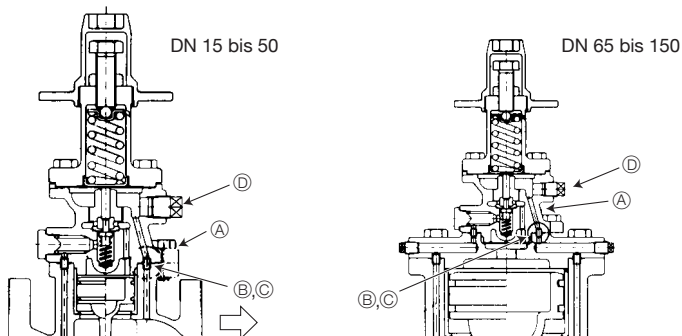


Es ist darauf zu achten, dass die Absperrarmatur der Steuerleitung während des Betriebs **STÄNDIG OFFEN IST**, da bei Schließen der Armatur der Druckregler COS/COSR voll öffnet und **VORDRUCK IN DEN DAMPFVERBRAUCHER GELANGT** (siehe 4.16, Punkt 5).

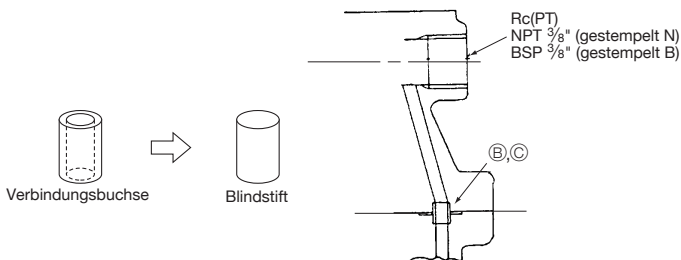
COS/COSR FÜR ANDERE LÄNDER

COS/COSR für andere Länder werden ab Werk für interne Steuerung geliefert. Die Steuerventilgehäuse dieser Typen sind mit Anschlussmuffen und Stopfen für eine Steuerleitung DN 10 ($\frac{3}{8}$ ") auf der Minderdruckseite versehen, um gegebenenfalls Genauigkeit und Durchsatzleistung zu erhöhen.

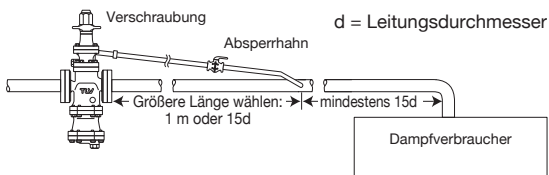
1. Die 4 Sechskantbolzen (A), die das Steuerventilgehäuse mit dem Hauptventilgehäuse (DN 15 bis 50) oder dem Deckel des Steuerventilgehäuses (DN 65 bis 150) verbinden, lösen und das Steuerventilgehäuse abheben.



2. Die in der Auslassseite des Hauptventilgehäuses oder dem Deckel des Steuerventilgehäuses (DN 65 bis 150) steckende Verbindungsbuchse (C) herausziehen und durch den mitgelieferten Blindstift (B) ersetzen.



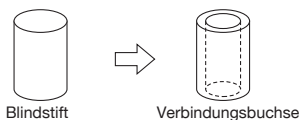
- Das Steuerventilgehäuse wieder aufsetzen und die Sechskantbolzen (A) mit dem Anzugsmoment nach Betriebsanleitung (Siehe 6.8) anziehen.
 - Den Stopfen (D) aus der Gewindemuffe am Steuerventilgehäuse entfernen und die Steuerleitung, zur Dampfleitung hin leicht abfallend, anschließen.
 - Die Steuerleitung etwas abfallend und so nahe wie möglich am Dampfverbraucher anschließen. Vor der Anschlussstelle sollte eine gerade Rohrstrecke von mindestens 1 m oder 15d (d = Rohrleitungsdurchmesser) liegen, wobei die größere der beiden Abmessungen zu wählen ist. Hinter der Anschlussstelle wird eine gerade Länge von mindestens 15d empfohlen.
- Für Wartungszwecke sollte eine Rohrverschraubung und eine dicht schließende Absperrarmatur in die Steuerleitung eingebaut werden, Einzelheiten siehe Anfang Abschnitt 4.16.



4.17 Interne Steuerleitung für Nordamerika

Alle nicht für Nordamerika bestimmten COS/COSR-Typen werden werksseitig für interne Steuerleitung ausgeführt. Falls für Nordamerika ein Typ mit interner Steuerleitung benötigt wird, wenden Sie sich bitte an Ihre TLV- Vertretung um eine Verbindungsbuchse und einen Stopfen für das Pilotventilgehäuse zu erhalten*. (Typen für Nordamerika haben ab Werk einen eingebauten Blindstift und keinen Stopfen am Steuerventilgehäuse).

- Die 4 Sechskantbolzen, die das Steuerventilgehäuse mit dem Hauptventilgehäuse (DN 15 bis 50) oder dem Deckel des Steuerventilgehäuses (DN 65 bis 150) verbinden, lösen und das Steuerventilgehäuse abheben.
- Den in der Auslassseite des Hauptventilgehäuses oder dem Steuerventilgehäusedeckel steckenden Blindstift herausziehen und durch die Verbindungsbuchse ersetzen.



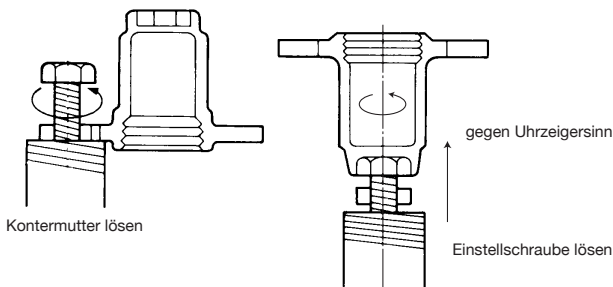
- Das Steuerventilgehäuse wieder aufsetzen und mittels der vier Sechskantbolzen befestigen, wobei die auf Siehe 6.8 aufgeführten Anzugsmomente zu beachten sind.
- Wenn vorher eine Steuerleitung installiert war, diese abnehmen und die Anschlussmuffe im Steuerventilgehäuse mit dem dafür vorgesehenen Stopfen verschließen.

* Wenn DN 15 im Minderdruckbereich unter 3 bar ü und DN 20 unter 1 bar ü eingesetzt werden, oder wenn ein COS-16/COSR-16 Minderdruckventil unter 50% des Vordrucks betrieben wird, ist eine interne Steuerung nicht empfehlenswert.

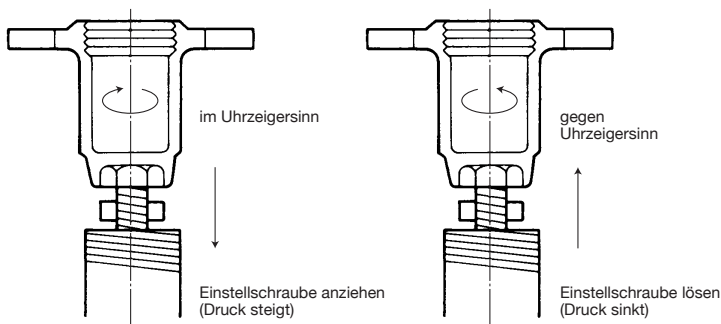
5. Einstellung

Die Einstellung des Solldrucks erfordert einige Sorgfalt, damit COS/COSR zufriedenstellend arbeiten kann. Gehen Sie wie folgt vor:

1. Leitungen vor Inbetriebnahme gründlich durchblasen, besonders nach langen Stillstandszeiten und vor der erstmaligen Inbetriebnahme. Sicherstellen, dass kein Kondensat oder Verschmutzungen im Dampfverbraucher zurückgeblieben sind.
(Nicht im Bereich von möglichem Abblasen von Dampf aus dem Sicherheitsventil aufhalten)
2. Leitung drucklos machen und danach Absperrorgan vor und hinter dem COS/COSR sowie in der Umgehungsleitung schließen.
3. Kappe mit Stellschüssel abnehmen, Kontermutter lösen und Einstellschraube durch Drehen gegen Uhrzeigersinn lösen bis die Justierfeder entspannt ist.



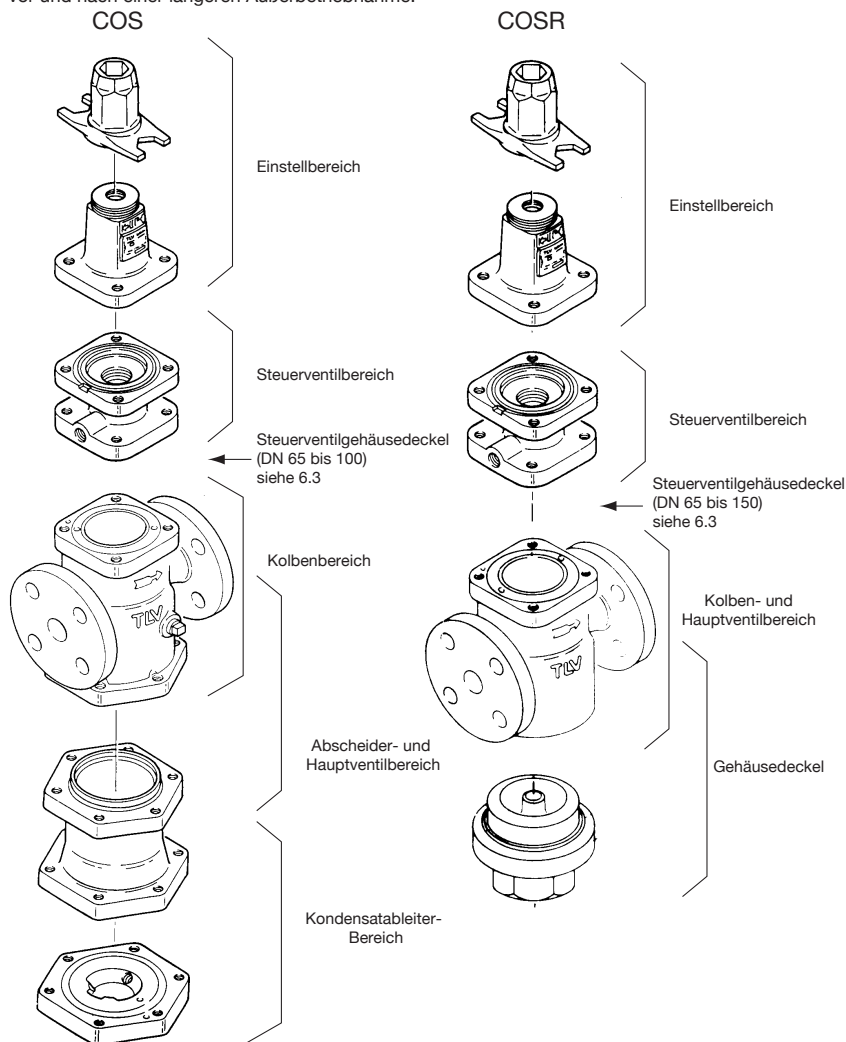
4. Absperrorgan auf der Eintrittseite von COS/COSR langsam öffnen. Etwas abwarten bis anstehendes Kondensat abgeführt wurde.
5. Absperrorgan auf der Austrittseite von COS/COSR leicht öffnen.
6. Einstellschraube im Uhrzeigersinn drehen bis gewünschter Minderdruck erreicht ist. Einige Minuten warten.



7. Absperrorgan auf der Minderdruckseite langsam voll öffnen.
8. Falls erforderlich, nachjustieren, sodann Kontermutter anziehen, Kappe aufsetzen und zuschrauben.
9. Beim Abschalten der Anlage immer zuerst das Absperrorgan auf der Minderdruckseite schließen, danach das auf der Vordruckseite.

6. Ausbau und Inspektion

Ausbau und Inspektion des COS/COSR einmal pro Jahr garantieren seine einwandfreie Funktion. Eine Inspektion ist insbesondere notwendig gleich nach dem Anfahren einer neuen Anlage, oder vor und nach einer längeren Außerbetriebnahme.



Abmessungen und Formgebung einiger Teile von COS und COSR Ventilen größerer Nennweite weichen von den in diesem Kapitel gezeigten etwas ab.



- Einbau und Ausbau, Inspektion, Wartungs- und Reparaturarbeiten, Öffnen/Schließen von Armaturen, Einstellung von Komponenten dürfen nur von geschultem Wartungspersonal vorgenommen werden.
- Zur Reparatur nur Original-Ersatzteile verwenden und NICHT VERSUCHEN, das Produkt zu verändern.

6.1 Vor dem Ausbau

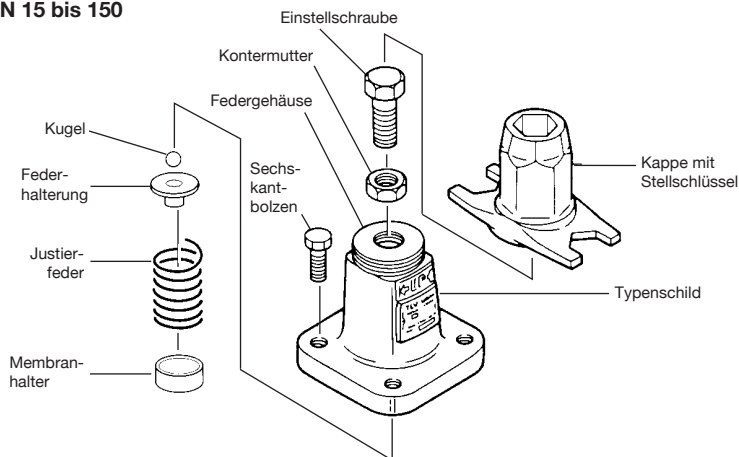
Allen Dampf aus der Rohrleitung austreten lassen (Vordruck- und Minderdruckseite). Falls die Dampfzufuhr zum Verbraucher nicht abgestellt werden kann, auf Bypass-Betrieb umschalten. Zuerst Absperrorgane auf der Ein- und Austrittseite von COS/COSR schließen. Um das Gehäuse drucklos zu machen, Schrauben des Federgehäuses vorsichtig etwas lösen, sowie Siebhaltestopfen Steuerventil oder Stopfen der Steuerleitung. Vor Ausbau des Ventils aus der Leitung Gehäuse abkühlen lassen. Zum Ausbau aus der Leitung Flansche und Verschraubung am Kondensatablass lösen (COS). COS/COSR in einen Schraubstock spannen.

6.2 Ausbau Einstellbereich

Einstellschraube vollständig herausdrehen, dann die Gehäuseschrauben. Federgehäuse abnehmen. Membranhalter, Justierfeder und Federhalterung prüfen.

Prüfen Sie auf Schwergängigkeit oder beschädigte Schraubengewinde.

DN 15 bis 150

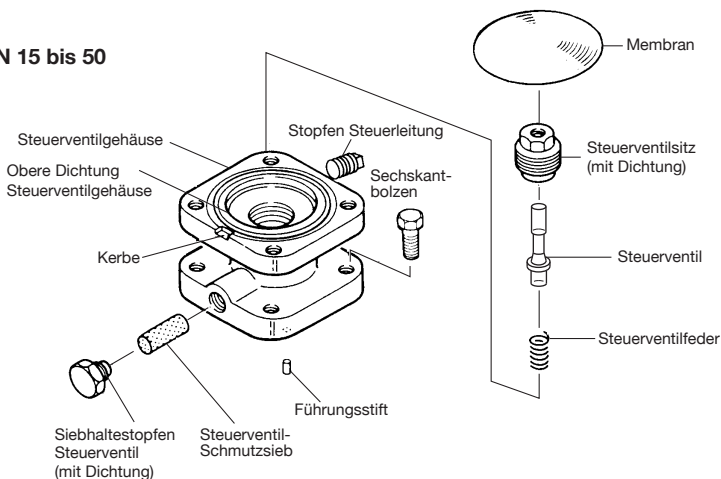


6.3 Ausbau Steuerventilbereich

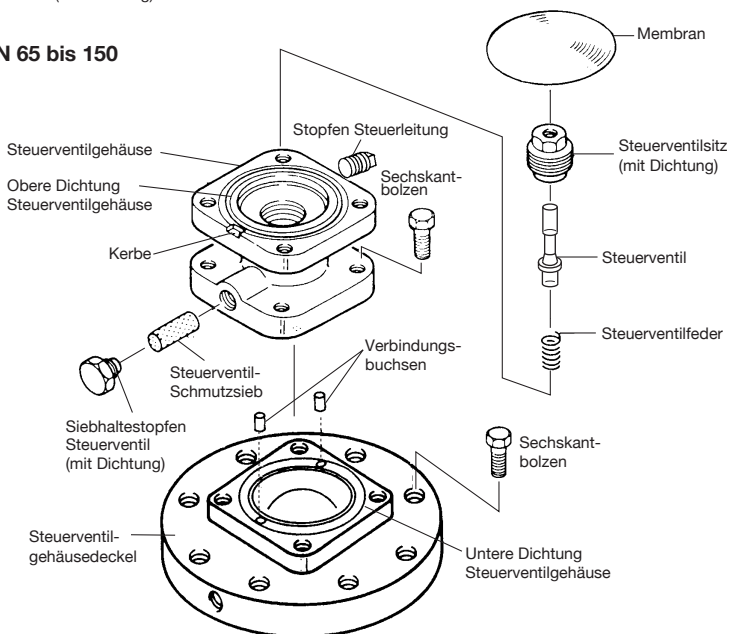
Membran mit Hilfe der Kerbe im Steuergehäuse entfernen. Mit Steckschlüssel den Steuerventilsitz herausdrehen. Mit Federzange das Steuerventil und die Steuerventilfeder herausnehmen. Dann die Siebhaltestopfen Steuerventil lösen und das Steuerventil-Schmutzsieb herausnehmen.

Das Steuerventil und die Dichtungen auf Beschädigungen untersuchen. Steuerventil-Schmutzsieb reinigen. Membran auf Verformungen, Kratzer und Korrosion untersuchen. Die Membranwölbung muss nach oben gerichtet sein, mit der Markierung UP obenaufl.

DN 15 bis 50



DN 65 bis 150

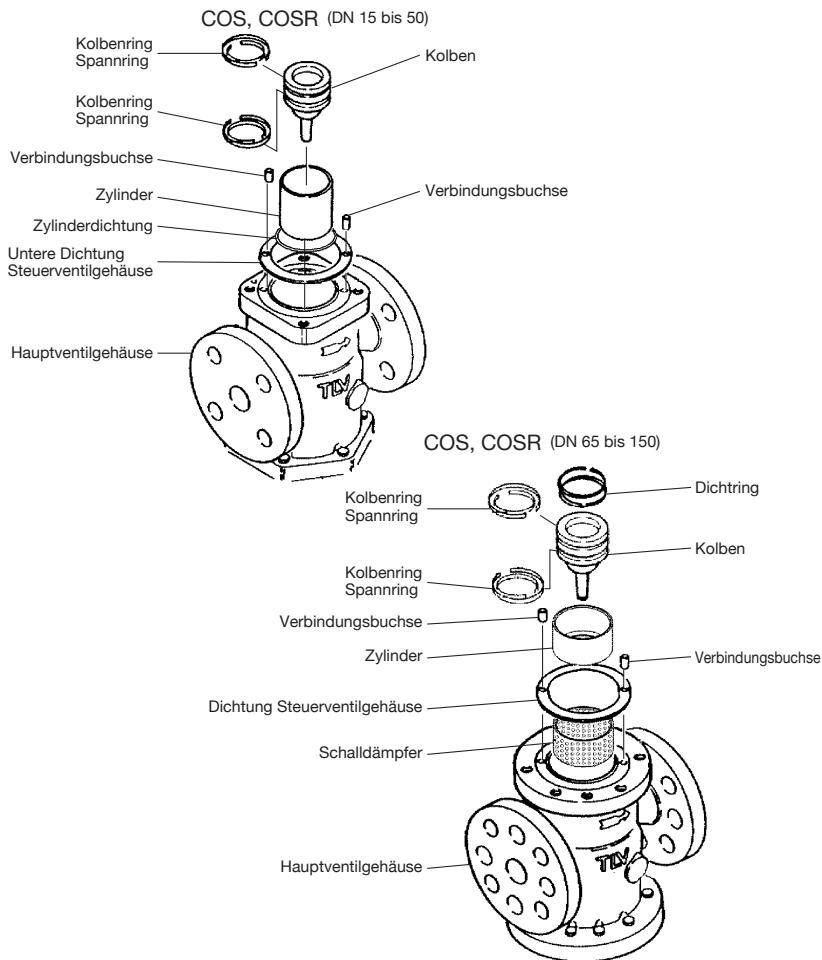


6.4 Ausbau Kolbenbereich

Die Sechskantbolzen abschrauben. Steuerventilgehäuse abnehmen. Darauf achten, dass die beiden Verbindungsbuchsen nicht verloren gehen. Kolben, Zylinder sowie Schalldämpfer (nur DN 65 und größer) herausnehmen.

ANMERKUNG: Kolbenringe und Spannringe ohne übermäßige Kraftanwendung abnehmen.

Das Innere des Zylinders, die Kolbenringe, die kleine Bohrung im Kolben und die Dichtungen gründlich inspizieren.



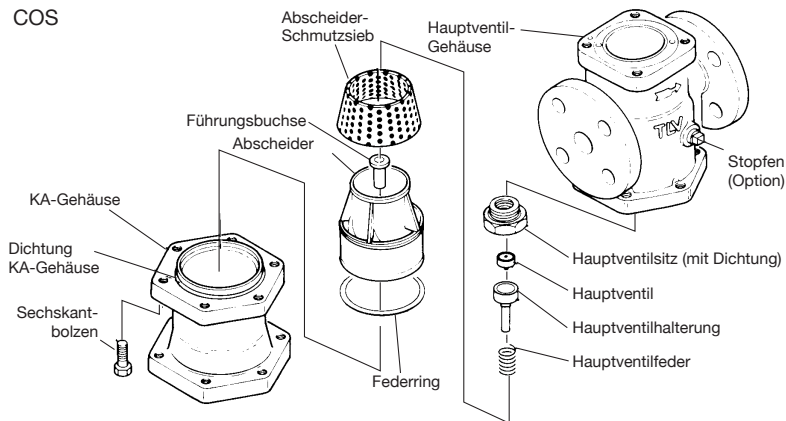
Abmessungen und Formgebung einiger Teile von COS und COSR Ventilen weichen von den in diesem Kapitel gezeigten etwas ab.

6.5 Ausbau Abscheider (COS) und Hauptventilbereich (COS/COSR)

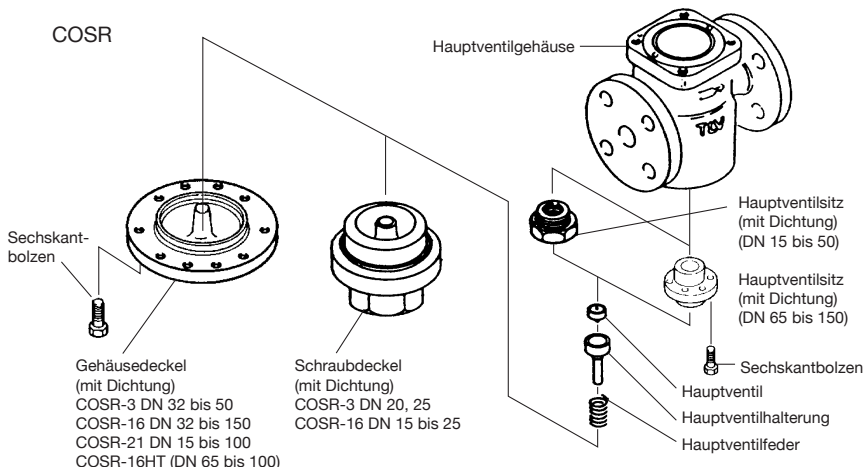
Um den Ausbau des Abscheiders zu erleichtern, sollte das Gehäuse auf den Kopf gestellt werden. Die Sechskantbolzen lösen und das KA-Gehäuse abnehmen. Darauf achten, dass der Abscheider nicht herausfällt, wenn das Gehäuse wieder umgedreht wird. Nun können Abscheider und Führungsbuchse (für COS), bzw. Schraubdeckel (für COSR), Hauptventilfeder, Hauptventil, Hauptventilhalter, und Abscheider-Schmutzsieb herausgenommen werden. Hauptventilsitz mittels Steckschlüssel aus dem Gehäuse herauschrauben. Hauptventil, Hauptventilsitz, und alle Dichtungen auf Verschleiß oder Beschädigungen prüfen. Abscheider-Schmutzsieb reinigen.

[Nach längeren Stillstandszeiten immer Kolbenbereich durch Stopfen (falls als Option geliefert) ausblasen.]

COS



COSR



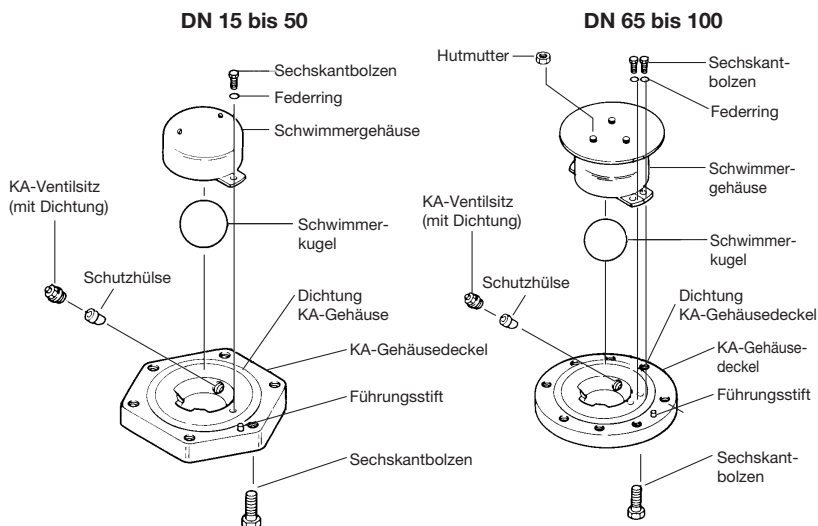
Abmessungen und Formgebung einiger Teile von COS und COSR Ventilen größerer Nennweite weichen von den in diesem Kapitel gezeigten etwas ab.

6.6 Ausbau Kondensatableiter (COS)

Sechskantbolzen lösen und Deckel des Kondensatableitergehäuses abnehmen. (Vorsicht - es kann heißes Kondensat austreten).

Sechskantbolzen vom KA-Gehäusedeckel lösen, Schwimmergehäuse abnehmen. Schwimmerkugel herausnehmen. Mittels Steckschlüssel den KA-Ventilsitz heraus-schrauben.

Schwimmerkugel auf Verformungen prüfen, KA-Ventilsitz auf Verschleiß untersuchen, KA-Gehäusedeckel und Schwimmergehäuse auf Ansammlung von Schmutz.



Deutsch

6.7 Reinigung

Nach Ausbau und Sichtprüfung die folgenden Teile mit Hilfe eines milden Reinigungsmittels vor der Montage reinigen:

COS, COSR		COS	COSR
Hauptventilsitz	Steuerventilsieb	Deckel KA-Gehäuse	Gehäusedeckel/
Hauptventil	Steuerventil	Schwimmerkugel	Schraubdeckel
Hauptventilhalter	Steuerventilsitz	KA-Ventilsitz	
Kolben	Justierschraube	Abscheider-Schmutzsieb	
Kolbenring	Federhalterung		
Zylinder			

6.8 Zusammenbau

Beim Zusammenbau folgt man der Ausbauanleitung in umgekehrter Reihenfolge. Folgende Hinweise sollten dabei beachtet werden:

1. Anzugsmomente und Schlüsselweiten für Schrauben und Gewindeteile:

Bauteil	Anschlussgröße (DN)	Schlüsselweite (mm)	Anzugsmoment (N·m)
Sechskantbolzen für Federgehäuse/Steuerventilgehäuse	Alle Größen	16 oder 17*	40
Steuerventilsitz	Alle Größen	18 oder 19*	70
Siebhaltestopfen Steuerventil	Alle Größen	24	40
Sechskantbolzen für Steuerventilgehäuse/Hauptventilgehäuse	15 bis 40	16 oder 17*	60
	50	18 oder 19*	70
Sechskantbolzen für Steuerventilgehäuse/Steuerventilgehäusedeckel	65 bis 150	16 oder 17*	60
Sechskantbolzen für Steuerventilgehäusedeckel/Hauptventilgehäuse	65, 80	18 oder 19*	70
	100, 125	24	150
	150	36	300
Sechskantbolzen für Hauptventilgehäuse/KA-Gehäuse (nur COS)	15 bis 40	16 oder 17*	60
	50 bis 80	19	70
	100	24	150
Sechskantbolzen für KA-Gehäuse/KA-Gehäusedeckel (nur COS)	15 bis 40	16 oder 17*	60
	50 bis 80	19	70
	100	24	150
Hauptventilsitz	15, 20	36	100
	25	41	125
	32, 40	60	250
	50	70	300
Sechskantbolzen für Hauptventilsitz	65, 80	13	30
	100, 125	16 oder 17*	40
	150	22	70
Sechskantbolzen für Schwimmergehäuse (nur COS)	15, 20	8	7
	25 bis 40	10	10
	50 bis 100	13	20
KA-Ventilsitz (nur COS)	15, 20	11	10
	25 bis 40	13	15
	50 bis 80	17*	40
	100	19	55
Schraubdeckel (nur COSR)	15, 20	41	250
	25	46	350
Sechskantbolzen für Gehäusedeckel/Hauptventilgehäuse (nur COSR)	15 bis 25	16 oder 17*	60
	32, 40	16 oder 17*	60
	50 bis 80	18 oder 19*	70
	100, 125	24	150
	150	36	300

DN 125 und DN 150 nur erhältlich für COSR

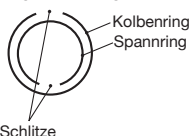
* Größe hängt von der Bolzennorm ab

Vorsicht: Bei höheren Anzugsmomenten können COS/COSR oder deren Komponenten beschädigt werden

Falls Zeichnungen oder andere spezielle Dokumente mit dem Produkt geliefert wurden, haben Angaben über Anzugsmomente in diesen Unterlagen Vorrang vor den hier gezeigten Anzugsmomenten.

2. PTFE Dichtungen können wiederverwendet werden, wenn sie keine Beschädigungen, Verformungen oder Kratzer aufweisen.
3. Gewinde von Schrauben, Bolzen und Muttern leicht mit geeignetem Schmiermittel bestreichen, ebenso Federhalter und Einstellschraube. Gewinde von Hauptventilsitz und Steuerventilsitz, sowie den Siebhaltestopfen Steuerventil ebenfalls leicht einfetten. Darauf achten, dass das Schmiermittel nicht mit anderen Teilen in Kontakt kommt.
4. Schrauben über Kreuz anziehen um gleichmäßige Anpressung zu erreichen.
5. Nach Montage von Kolben und Steuerventilführung diese Teile auf leichte Gangbarkeit prüfen.

Montage Kolbenring



- 1) Der Kolbenring kommt über den Spanningring.
- 2) Die Schlitze sollen sich gegenüber liegen.

6.9 Regelmäßige Inspektion und Wartung

Um störungsfreien Betrieb zu gewährleisten, sollten folgende Wartungen regelmäßig durchgeführt werden.

Teil	Inspektions- und Wartungsintervalle
Abscheider-Schmutzsieb (nur COS), Steuerventil-Schmutzsieb	Jährlicher Ausbau und Reinigung. Bei erheblicher Verschmutzungsgefahr ein Schmutzsieb (Maschenweite ca. 0,25 mm) am Ventileinlass von COS/COSR anbringen.
Hauptventil mit Sitz, Steuerventil mit Sitz	Nach 15.000 Betriebsstunden auswechseln. Bei Vibrationen oder Schmutzansammlung kann vorzeitige Abnutzung die Folge sein.
Kolbenring	Nach 8.000 Betriebsstunden auswechseln. Bei Vibrationen oder Ablagerungen kann vorzeitige Abnutzung die Folge sein.
Kolben	Nach 30.000 Betriebsstunden auswechseln. Bei Schwingungen oder Vibrationen kann vorzeitige Abnutzung die Folge sein.
Ventilsitz Kondensatableiter	Nach 40.000 Betriebsstunden auswechseln. Übermäßige Verschmutzung kann Verstopfung verursachen.
Membran	Nach 30.000 Betriebsstunden auswechseln. Bei Schwingungen oder Vibrationen können Risse entstehen.

7. Fehlersuche

Unsere Druckminderventile werden einer strengen Endkontrolle mit einer genauen Funktionsprüfung unterzogen. Sollte jedoch trotzdem einmal eine Störung auftreten, so gehen Sie bitte nach unten stehender Anleitung vor.

Folgende Störungen sind denkbar:

1. Minderdruck zu niedrig oder null.
2. Minderdruck zu hoch oder nicht einstellbar.
3. Minderdruckschwankungen.
4. Flattern verbunden mit übermäßiger Lärmentwicklung.
5. Dampfverlust am Kondensatableiter oder dieser öffnet nicht.
6. Ungewöhnliche Geräuschentwicklung.

Ursache für obige Störungen ist meist der Einsatz außerhalb der vorgegebenen Betriebsgrenzen, ungenügende Dampfzufuhr und Verschmutzung. In diesem Zusammenhang wird auf die Abschnitte Sicherheitshinweise und Einstellung verwiesen.

Um unvorhergesehene Störungen zu vermeiden, wird eine jährliche Demontage und Inspektion empfohlen. Vor allem nach dem Einbau neuer Rohrleitungen oder während längerer Stillstandszeiten,

wie z. B. vor und nach längerem Heizungsstillstand, sollte das Produkt überprüft werden.

Tabelle Fehlersuche

Fehler	Symptom	Ursache	Gegenmaßnahmen
Der Minderdruck steigt nicht an	Das Gehäuse ist kalt	Kein Dampf vorhanden Die Absperrarmaturen vor dem Regler sind geschlossen	Die Absperrarmaturen überprüfen
	Das Gehäuse ist heiß, aber der Druck kann nicht erhöht werden	Schmutzsiebe verstopft	Reinigen oder durchblasen
Der Minderdruck kann nicht geregelt werden	Einstellung schwierig, Minderdruck schwankt	Das Steuerventil-Schmutzsieb ist verstopft	Reinigen
		Der Dampfdurchsatz ist unzureichend	Den Dampfdurchsatz überprüfen und ändern
		Der Kolben ist verschmutzt	Die Kolbenringe überprüfen und reinigen
		Die kleine Kolbenbohrung ist verstopft	Reinigen
		Die Kolbenringe sind abgenutzt	Die Kolbenringe ersetzen
		Die beweglichen Teile im Hauptventil und Steuerventil sind verschmutzt	Reinigen
		Der Dampfdurchsatz übersteigt den Nenndurchsatz	Den Dampfdurchsatz überprüfen und ändern
		Die Einstellschraube hat sich festgefressen	Die Einstellschraube ersetzen
		Die Membran hat sich verformt	Die Membran ersetzen
		Der Dampfverbrauch schwankt	Den Durchsatz überprüfen und ändern, oder COS/COSR ersetzen
Der gewählte Typ ist nicht geeignet für diese Betriebsbedingungen	Die Auslegungsdaten überprüfen, ggf. COS/COSR ersetzen		

Fortsetzung Tabelle Fehlersuche

Fehler	Symptom	Ursache	Gegenmaßnahmen
Es ist unmöglich, den Minderdruck zu halten	Wenn die Absperrarmatur auf der Minderdruckseite zu ist, erhöht sich der Minderdruck bis er den Vordruck erreicht hat	Die Armatur in der Umgehungsleitung ist undicht	Überprüfen, reinigen, ersetzen, falls erforderlich
		Der Steuer- oder Hauptventilsitz ist beschädigt oder verschmutzt	Steuerventilsitz oder Hauptventilsitz reinigen oder ersetzen
Druckstöße oder Flattern	Tritt nur bei geringem Durchsatz auf	Der Mindestdurchsatz wurde unterschritten	Dampfbedarf prüfen, u. U. kleineres Ventil einsetzen
		Der Minderdruck schwankt permanent	Reduktionsverhältnis zu hoch (Regler arbeitet bei Verhältnis unter 10 % des Vordrucks)
	Starkes permanentes Flattern des Minderdrucks	Der gewählte Typ ist nicht geeignet für diese Betriebsbedingungen	Die Auslegungsdaten überprüfen, ggf. COS/COSR ersetzen
		Mitgeführtes Kondensat blockierter Kondensatableiter (COS)	Den Kondensatableiter reinigen, die Leitungsführung überprüfen
Ungewöhnliche Geräuschentwicklung	Starkes pfeifendes Geräusch	Das Druckverhältnis ist zu hoch	Druckreduzierung in zwei Stufen vornehmen
		Der Dampfdruck ist zu hoch	Den Dampfdruck überprüfen und anpassen
		In der Nähe befindet sich eine schnellschließende/öffnende Absperrarmatur	Die Absperrarmatur so weit entfernt wie möglich installieren
Fehlerhafter Kondensatableiter (nur COS)	Dampfverlust, KA bläst	KA-Ventilsitz verschmutzt Schmutz unter der Schwimmerkugel	Reinigen
		Das Gehäuse ist schräg eingebaut	Die Rohrleitung überprüfen
		Der Kugelschwimmer ist verformt	Auf Wasserschlag prüfen, Schwimmerkugel ersetzen
	Kondensat läuft nicht ab	Die Rohrleitung vibriert	Leitung sicher befestigen
		Der Vordruck übersteigt den maximalen Betriebsdruck des Kondensatableiter-Ventilsitzes (übersteigt Betriebsdruckbereich von COS)	Sicherstellen, dass COS innerhalb des vorgeschriebenen Betriebsdruckbereichs betrieben wird
		Der Kugelschwimmer ist undicht (voll Wasser)	Den Kugelschwimmer austauschen
	Die Ausgangsleitung ist verstopft	Die Ausgangsleitung überprüfen und reinigen	
	KA-Ventilsitz ist verstopft	Reinigen oder ersetzen	

Introduction

Les installations vapeur ne fonctionnent convenablement qu'avec de la vapeur saturée sèche. La présence de condensats, calcaire, de l'air, etc. réduit non seulement la productivité de l'équipement vapeur, mais raccourcit également la durée de vie des détendeurs-régulateurs de pression.

Les modèles TLV COS/COSR sont des détendeurs-régulateurs de pression innovants, qui aident à éliminer ces problèmes en fournissant de la vapeur sèche saturée à une pression constante à tout moment. Ce manuel doit être lu attentivement avant d'installer ou d'utiliser les détendeurs-régulateurs de pression COS/COSR TLV.



Table des matières

Partie	Page	Partie	Page
1 Règles de sécurité	52	4.14 Réduction de la pression en deux étapes	62
2 Configuration	53	4.15 Installation d'un filtre en Y	62
COS-3/COS-16/COS-21	53	4.16 Tube de prise d'impulsion externe	63
COSR-3/COSR-16/COSR-21	55	4.17 Tube de prise interne pour les modèles nord-américains	64
COSR-16HT	56	5 Réglage	65
3 Données techniques	58	6 Démontage et vérification	66
4 Tuyauterie et installation correcte	59	6.1 Avant le démontage	67
4.1 Longueurs de conduite droite recommandées	59	6.2 Démontage de la section de réglage	67
4.2 Installation d'une vanne TOR	60	6.3 Démontage de la section pilote	67
4.3 Installation d'une vanne de régulation	60	6.4 Démontage de la section à piston	69
4.4 Purge	60	6.5 Démontage de la section séparateur et de la soupape principale	70
4.5 Enlever les étiquettes protectrices	60	6.6 Démontage du purgeur de vapeur	71
4.6 Limite d'inclinaison	60	6.7 Nettoyage	71
4.7 Installation d'une entretoise	60	6.8 Remontage	72
4.8 Support des conduites	61	6.9 Inspections et entretiens réguliers	73
4.9 Espace d'inspection	61	7 Détection des problèmes	74
4.10 Conduite de sortie du purgeur	61	8 GARANTIE LIMITÉE EXPRESSE TLV	81
4.11 Robinet de purge	61		
4.12 Accessoires	62		
4.13 Dimension des conduites/diffuseur	62		

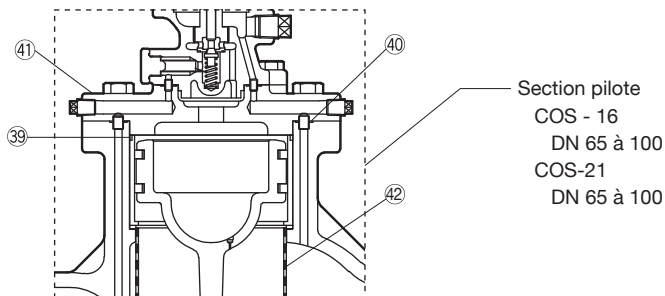
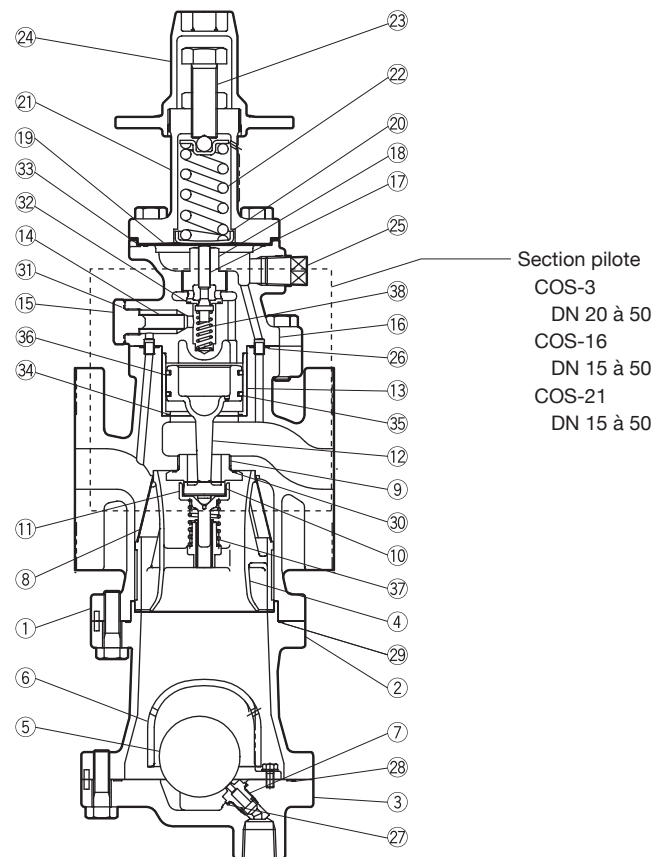
1. Règles de sécurité

- Lire attentivement cette notice avant l'utilisation et suivre les instructions.
- Tout installation, inspection, entretien, réparation, démontage, réglage et ouverture/fermeture de vanne doit être fait uniquement par une personne formée à l'entretien.
- La liste des précautions à prendre est établie afin d'assurer votre sécurité et de prévenir des dégâts matériels et/ou des blessures sérieuses. Dans certaines situations causées par une mauvaise manipulation, trois indicateurs sont utilisés afin d'indiquer le degré d'urgence, l'échelle du dommage potentiel et le danger : DANGER, AVERTISSEMENT et ATTENTION.
- Ces 3 indicateurs sont importants pour votre sécurité ; observez les précautions de sécurité énumérées dans ce manuel pour l'installation, l'utilisation, l'entretien et la réparation du produit. TLV n'accepte aucune responsabilité en cas d'accident ou de dommage survenant à la suite d'un non-respect de ces précautions.

 DANGER	 AVERTISSEMENT	 ATTENTION
Indique une situation d'urgence avec risque de mort ou de blessure grave.	Indique une situation pouvant entraîner la mort ou des blessures graves.	Indique un risque de blessure ou de dégât matériel au produit et/ou aux installations.

 AVERTISSEMENT	<p>NE JAMAIS exposer le flotteur à la chaleur directement. Il pourrait exploser suite à une pression interne accrue et causer des accidents pouvant entraîner des blessures sérieuses ou des dégâts matériels.</p>
	<p>Installer le produit correctement et NE PAS l'utiliser en dehors de la pression et de la température maximales de fonctionnement, ni en dehors des autres plages spécifiées. Une telle utilisation peut entraîner des dommages au produit ou des dysfonctionnements, ce qui peut provoquer des brûlures ou autres blessures. Il se peut que des règlements locaux limitent l'utilisation du produit en deçà des spécifications indiquées.</p>
	<p>NE PAS utiliser ce produit avec une pression différentielle supérieure au maximum indiqué. Le non-respect de cette consigne pourrait empêcher toute expulsion du condensât (blocage).</p>
	<p>Utiliser du matériel de levage adéquat pour les objets lourds (20 kg et plus). Le non-respect de cette règle peut provoquer des douleurs dans le dos ou des blessures si le produit venait à tomber.</p>
	<p>Prendre les mesures appropriées afin d'éviter que des personnes n'entrent en contact direct avec les ouvertures du produit. Le non-respect de cette règle peut provoquer des brûlures ou autres blessures sérieuses dues à l'écoulement des fluides.</p>
 ATTENTION	<p>En cas de démontage ou de manipulation du produit, attendre que la pression interne soit égale à la pression atmosphérique et que la surface du produit soit complètement refroidie. Le non-respect de cette règle peut provoquer des brûlures ou autres dommages dus à l'écoulement des fluides.</p>
	<p>En cas de réparation, utiliser uniquement les pièces recommandées et NE JAMAIS ESSAYER de modifier le produit. Le non-respect de cette règle peut entraîner des dommages au produit, ou des brûlures et autres blessures sérieuses dues au dysfonctionnement du produit ou à l'écoulement des fluides.</p>
	<p>Ne pas utiliser de force excessive lors du raccordement du produit à la tuyauterie. Le non-respect de cette règle peut provoquer la rupture du produit, entraîner l'écoulement des fluides, et causer des brûlures ou blessures sérieuses.</p>
	<p>N'utiliser que dans des conditions où le gel ne se produit pas. Le gel peut endommager le produit et provoquer l'écoulement des fluides, et causer des brûlures ou autres blessures sérieuses.</p>
	<p>Utiliser le produit dans des conditions où il n'y a aucun coup de bélier. L'impact d'un coup de bélier peut endommager le produit et provoquer l'écoulement des fluides, ainsi que des brûlures ou des blessures graves.</p>

2. Configuration COS-3/COS-16/COS-21



N°	Désignation	A1	A2	B	C1	C2	D1	D2	E	F	G
1	Corps principal										
2	Corps du purgeur										
3	Couvercle du purgeur										
4	Séparateur										
5	Flotteur										✓
6	Couvercle du flotteur										
7	Siège de soupape du purgeur									✓	
8	Crépine séparateur			✓							
9	Siège de soupape principale			✓							
10	Soupape principale			✓							
11	Porte-soupape principale			✓							
12	Piston				✓	✓					
13	Cylindre				✓	✓					
14	Crépine pilote								✓		
15	Porte-crépine pilote										
16	Corps pilote										
17	Soupape pilote								✓		
18	Siège de soupape pilote								✓		
19	Diaphragme										
20	Support du diaphragme										
21	Boîtier du ressort										
22	Ressort hélicoïdal										
23	Vis de réglage										
24	Chapeau clé anglaise										
25	Bouchon-tube de prise d'impulsion										
26	Joint corps-pilote inférieur	✓	✓				✓				
27	Joint siège de soupape du purgeur	✓	✓							✓	
28	Joint couvercle du purgeur	✓	✓							✓	
29	Joint corps du purgeur	✓	✓	✓							
30	Joint siège de soupape principale	✓	✓	✓							
31	Joint porte-crépine pilote	✓	✓						✓		
32	Joint siège de soupape pilote	✓	✓						✓		
33	Joint corps-pilote supérieur	✓	✓						✓		
34	Joint cylindre	✓			✓						
35	Segment de piston				✓	✓	✓	✓			
36	Anneau de tension				✓	✓	✓	✓			
37	Ressort de soupape principale			✓							
38	Ressort de soupape pilote								✓		
39	Rondelle de joint		✓			✓					
40	Joint couvercle pilote		✓			✓		✓			
41	Couvercle pilote										
42	Silencieux										

Les pièces d'entretien et de réparation sont disponibles pour COS-3/COS-16 comme suit ; consulter TLV pour les pièces de COS-21

(A1) Jeu de pièces d'entretien COS-3 (DN 20 à 50) et COS-16 (DN 15 à 50)

(A2) Jeu de pièces d'entretien COS-16 (DN 65 à 100)

(B) Jeu de pièces de réparation pour soupape principale

(C1) Jeu de pièces de réparation pour piston COS-3 (DN 20 à 50) et COS-16 (DN 15 à 50)

(C2) Jeu de pièces de réparation pour piston COS-16 (DN 65 à 100)

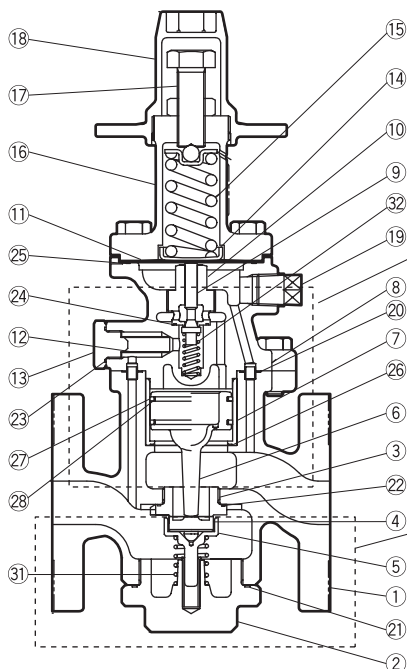
(D1) Jeu de pièces de réparation pour segment de piston COS-3 (DN 20 à 50) et COS-16 (DN 15 à 50)

(D2) Jeu de pièces de réparation pour segment de piston COS-16 (DN 65 à 100)

(E) Jeu de pièces de réparation pour soupape pilote

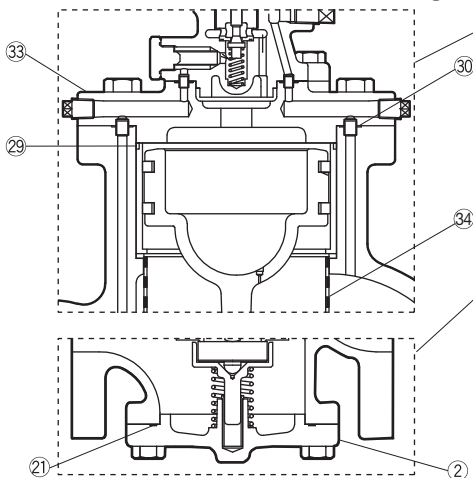
(F) Jeu de pièces de réparation pour siège de soupape du purgeur

(G) Flotteur



Section pilote
 COSR-3
 DN 20 à 50
 COSR-16
 DN 15 à 50
 COSR-21
 DN 15 à 50

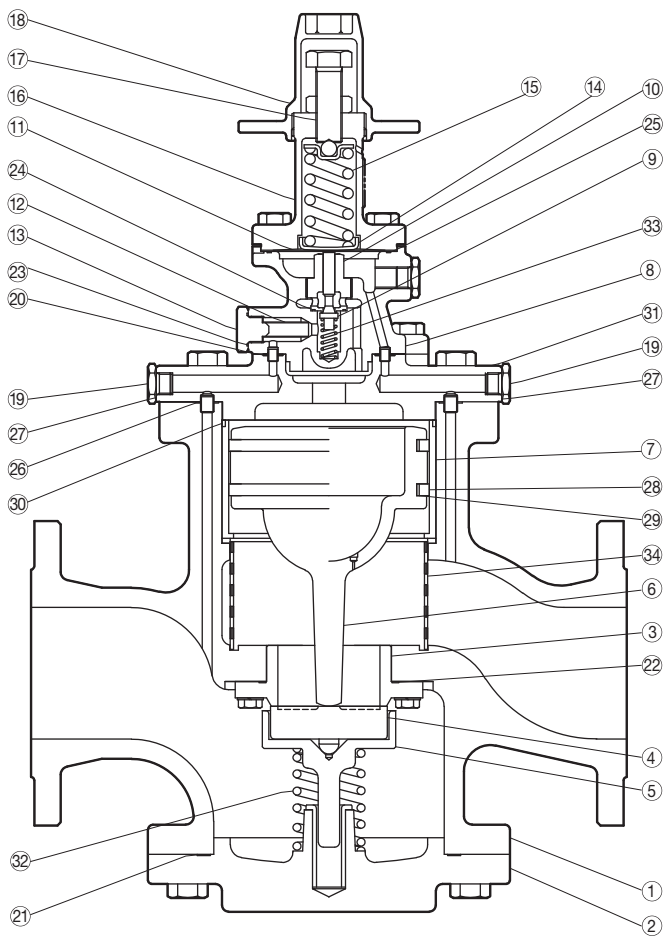
Bouchon (couvercle)
 COSR-3
 DN 20, 25
 COSR-16
 DN 15 à 25



Section pilote
 COSR-16
 DN 65 à 150
 COSR-21
 DN 65 à 100

Couvercle
 COSR-3
 DN 32 à 50
 COSR-16
 DN 32 à 150
 COSR-21*
 DN 15 à 100

*La configuration du couvercle diffère légèrement pour les modèles avec d'autres raccords que la bride DIN PN.



N°	Désignation	A1	A2	B	C1	C2	D1	D2	E
1	Corps principal								
2	Bouchon (couvercle)								
	Couvercle								
3	Siège de soupape principale			✓					
4	Soupape principale			✓					
5	Porte-soupape principale			✓					
6	Piston				✓	✓			
7	Cylindre				✓	✓			
8	Corps pilote								
9	Soupape pilote								✓
10	Siège de soupape pilote								✓
11	Diaphragme								
12	Crépine pilote								✓
13	Porte-crépine pilote								
14	Support du diaphragme								
15	Ressort hélicoïdal								
16	Boîtier du ressort								
17	Vis de réglage								
18	Chapeau clé anglaise								
19	Bouchon – tube de prise d'impulsion								
20	Joint corps-pilote inférieur	✓	✓				✓		
21	Joint bouchon (couvercle)	✓		✓					
	Joint couvercle	✓	✓	✓					
22	Joint siège de soupape principale	✓	✓	✓					
23	Joint porte-crépine pilote	✓	✓						✓
24	Joint siège de soupape pilote	✓	✓						✓
25	Joint corps-pilote supérieur	✓	✓						✓
26	Joint cylindre	✓			✓				
27	Anneau de piston				✓	✓	✓	✓	
28	Anneau de tension				✓	✓	✓	✓	
29	Rondelle de joint		✓			✓			
30	Joint couvercle pilote		✓			✓		✓	
31	Ressort de soupape principale			✓					
32	Ressort de soupape pilote								✓
33	Couvercle pilote								
34	Silencieux								

Les pièces d'entretien et de réparation sont disponibles pour COSR-3/COSR-16 comme suit ; consulter TLV pour les pièces de COSR-21

(A1) Jeu de pièces d'entretien COSR-3 (DN 20 à 50) et COSR-16 (DN 15 à 50)

(A2) Jeu de pièces d'entretien COSR-16 (DN 65 à 150) et COSR-16HT (DN 65 à 100)

(B) Jeu de pièces de réparation pour soupape principale

(C1) Jeu de pièces de réparation pour piston COSR-3 (DN 20 à 50) et COSR-16 (DN 15 à 50)

(C2) Jeu de pièces de réparation pour piston COSR-16 (DN 65 à 150) et COSR-16HT (DN 65 à 100)

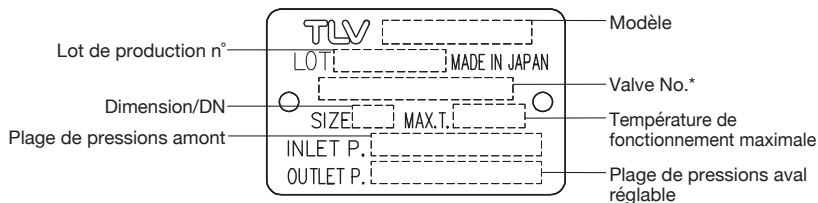
(D1) Jeu de pièces de réparation pour segment de piston COSR-3 (DN 20 à 50) et COSR-16 (DN 15 à 50)

(D2) Jeu de pièces de réparation pour segment de piston COSR-16 (DN 65 à 150) et COSR-16HT (DN 65 à 100)

(E) Jeu de pièces de réparation pour soupape pilote

3. Données techniques

Les données techniques sont inscrites sur la plaquette nominative.



* Le Valve No. est indiqué pour les modèles avec options. Ce numéro ne figure pas sur les modèles sans options.

Plage de fonctionnement admissible

Modèle	COS-3 COSR-3	COS-16 COSR-16 COSR-16HT	COS-21 COSR-21
Plage de pressions amont	1 à 3 bar	2 à 16 bar	13,5 à 21 bar
Pression de réglage (toutes les conditions ci à droite doivent être remplies)	0,1 à 0,5 bar	Entre 10 à 84% de la pression amont	
		Une pression minimale de 0,3 bar	Une pression minimale de 5,5 bar
		Pression différentielle entre 0,7 à 8,5 bar	Pression différentielle maximale de 8,5 bar
Débit minimal réglable	5% du débit nominal	5% du débit nominal ; 10% du débit nominal pour dimensions DN 65 et plus grand	

1 bar = 0,1 MPa



ATTENTION

Installer le produit correctement et NE PAS l'utiliser en dehors des plages spécifiées. En cas de dépassement des limites de fonctionnement données, des dysfonctionnements ou accidents pourraient survenir. Il se peut que des règlements locaux limitent l'utilisation du produit en deçà des spécifications indiquées.

4. Tuyauterie et installation correctes



ATTENTION

- Tout installation, inspection, entretien, réparation, démontage, réglage et ouverture/fermeture de vanne doit être fait uniquement par une personne formée à l'entretien.
- Éviter que des personnes n'entrent en contact direct avec les ouvertures du produit.
- Installer le produit dans des conditions où le gel ne se produit pas.
- Ne pas utiliser le produit dans des conditions où des coups de bélier peuvent se produire.

4.1 Longueurs de conduite droite recommandées

Si COS/COSR est installé directement avant ou après un coude ou une vanne de régulation, tout flux irrégulier pourrait causer du broutage, ainsi qu'une pression instable.

Pour garantir un flux de vapeur stable, nous vous recommandons d'installer le détendeur-régulateur sur une section de conduite droite, tel qu'illustré ci-dessous.

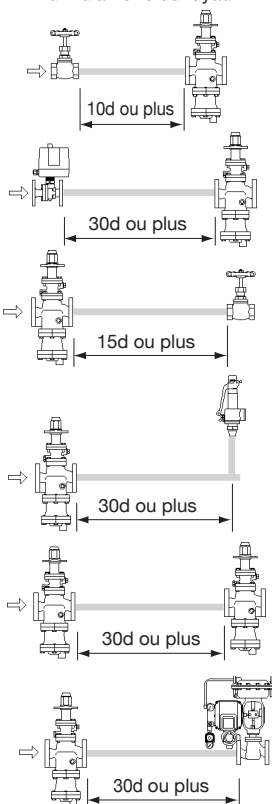
① Entrée (côté amont) du COS/COSR

- Prévoir une conduite droite de 10d ou plus lorsqu'une vanne manuelle, une crépine, un coude ou une pièce d'équipement similaire est installée en amont du détendeur-régulateur.
(Exemple : pour du DN 25, prévoir 250 mm ou plus)
- Prévoir une conduite droite de 30d ou plus lorsqu'une vanne TOR est installée.
(Exemple : pour du DN 25, prévoir 750 mm ou plus)

② Sortie (côté aval) du COS/COSR

- Prévoir une conduite droite de 15d ou plus lorsqu'une vanne manuelle, une crépine, un coude ou une pièce d'équipement similaire est installée en aval du détendeur-régulateur.
(Exemple : pour du DN 25, prévoir 375 mm ou plus)
- Prévoir une conduite droite de 30d ou plus lorsqu'une soupape de sûreté est installée.
(Exemple : pour du DN 25, prévoir 750 mm ou plus)
- Prévoir une conduite droite de 30d ou plus lorsqu'un autre détendeur-régulateur de pression est installé (réduction de la pression en deux étapes)
(Exemple : pour du DN 25, prévoir 750 mm ou plus)
- Prévoir une conduite droite de 30d ou plus lorsqu'une vanne de régulation ou une vanne TOR est installée.
(Exemple : pour du DN 25, prévoir 750 mm ou plus)

d = diamètre du tuyau



4.2 Installation d'une vanne TOR (électrovanne, soupape motorisée)

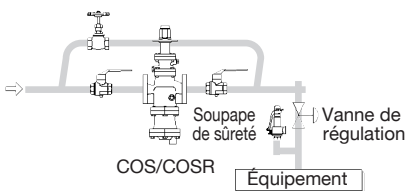
Si une vanne TOR est requise pour stopper l'alimentation en vapeur du système, il faut l'installer du côté entrée du COS/COSR. Si une électrovanne est installée à la sortie du détendeur, elle entraînera un broutage important et pourrait endommager le piston et la soupape principale.

(Lorsque la vanne TOR s'ouvre, la pression aval du détendeur passe de zéro à la pression de réglage. Le passage par un rapport de réduction de moins de 10:1, où tout réglage est impossible, entraîne un broutage momentané.)

Afin d'économiser de l'énergie, installer la vanne TOR le plus près possible de la chaudière. Pour éviter les coups de bélier, il est recommandé d'utiliser une vanne TOR motorisée à action lente. Si une électrovanne à action rapide est utilisée, l'impact d'un coup de bélier peut endommager les équipements utilisant de la vapeur et le COS/COSR.

4.3 Installation d'une vanne de régulation

L'installation d'une vanne de régulation entre le COS/COSR et les équipements de chauffage peut faire augmenter la pression entre le COS/COSR et la soupape de contrôle lorsque la vanne de régulation est fermée. Par conséquent, cette vanne devrait être installée le plus près possible des équipements de chauffage. De plus, une soupape de sécurité devrait être installée en aval de la vanne de régulation.



NOTE : En cas d'installation d'une soupape de sûreté pour protéger les équipements de chauffage, il faut l'installer en aval d'une soupape de contrôle, et sur ou à proximité des équipements. Si la soupape de sûreté est installée entre le COS/COSR et une vanne de régulation, une augmentation éventuelle de la pression pourrait activer la soupape de sûreté.

4.4 Purge

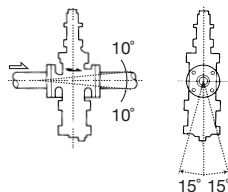
Avant d'installer le COS/COSR, vérifier si toutes les conduites sont entièrement purgées. Utiliser la soupape en by-pass si ceci n'est pas possible. La purge est particulièrement importante pour des conduites nouvellement installées ou après que le système ait été à l'arrêt pendant une longue période.

4.5 Enlever les étiquettes protectrices

Avant l'installation, enlever les étiquettes protectrices couvrant l'entrée et la sortie (ceux-ci se trouvent à 3 endroits dans le cas du COS, et à 2 endroits en ce qui concerne le COSR).

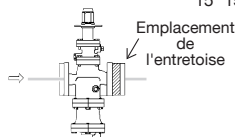
4.6 Limite d'inclinaison

Assurez-vous que le COS/COSR soit installé sur une tuyauterie horizontale, de manière à ce que la flèche inscrite sur le corps corresponde au sens d'écoulement de la vapeur, et que la vis de réglage soit dirigée vers le haut. La limite d'inclinaison est de 10 degrés vers le haut ou vers le bas, et de 15 degrés de côté (par rapport aux conduites de vapeur).



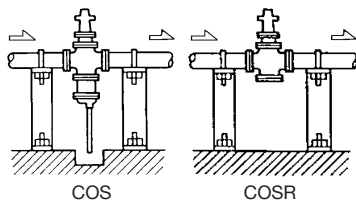
4.7 Installation d'une entretoise

S'il est nécessaire d'ajuster la longueur de la tuyauterie existante, monter une entretoise à la bride de sortie du COS/COS. Elle doit être installée avec des joints, des vis et des écrous des deux côtés entre la sortie du COS/COSR et la bride de la ligne.



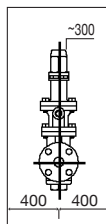
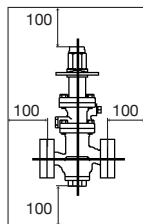
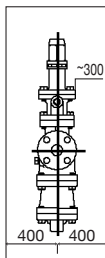
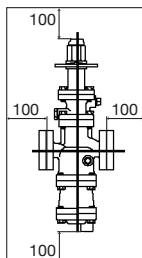
4.8 Support des conduites

Installer le COS/COSR en prenant soin d'éviter toute charge excessive, courbure ou vibration. Soutenir fermement les conduites d'entrée et de sortie.



4.9 Espace d'inspection

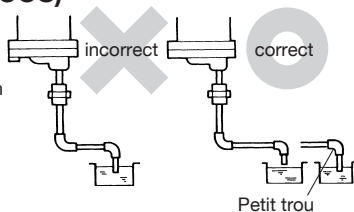
Laisser suffisamment d'espace pour pouvoir effectuer les inspections et réparations.



Unités : mm

4.10 Conduite de sortie du purgeur (COS)

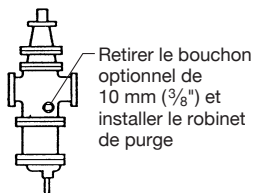
Pour faciliter l'entretien, l'installation d'un raccord est recommandée sur la conduite de sortie du purgeur. Connecter la conduite de sortie à la conduite de récupération du condensât ou la prolonger jusqu'à un caniveau. Dans ce dernier cas, s'assurer que le bout de la conduite se trouve au-dessus de la ligne d'eau. (Il se peut que de la poussière et de l'eau soient aspirées par le vide formé lors de la fermeture du purgeur et la mise à l'arrêt du système.)



4.11 Robinet de purge (COS) (nécessite un bouchon optionnel)

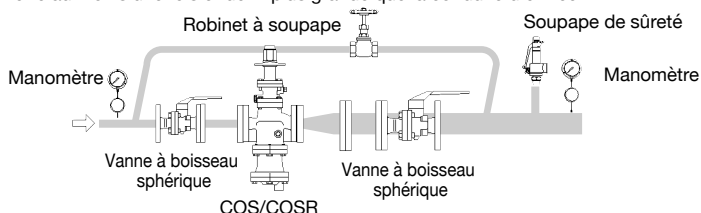
Dans un environnement chargé de poussières et de résidus ou lorsque l'installation n'est utilisée que périodiquement, (comme pour les pièces d'équipement destinées au chauffage), utiliser un robinet de purge.

1. Retirer le bouchon du corps principal.
2. Installer le robinet de purge.
3. Ouvrir le robinet de purge et purger les saletés et les résidus résiduelles qui se trouvent sur la crépine du séparateur.
4. Actionner périodiquement le robinet de purge afin d'expulser toute saleté ou résidus.



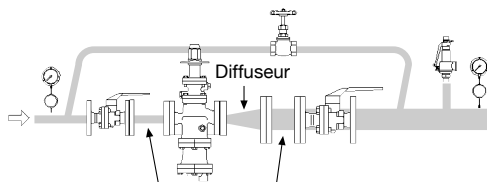
4.12 Accessoires

Installer systématiquement une soupape d'arrêt et un manomètre à l'entrée et à la sortie, ainsi qu'une soupape d'arrêt sur les conduites by-pass. Des vannes à boisseau sphérique ne retenant pas le condensât sont conseillées comme soupapes d'arrêt. La conduite by-pass devrait être au moins une fois et demi plus grande que la conduite d'entrée.



4.13 Dimension des conduites/diffuseur

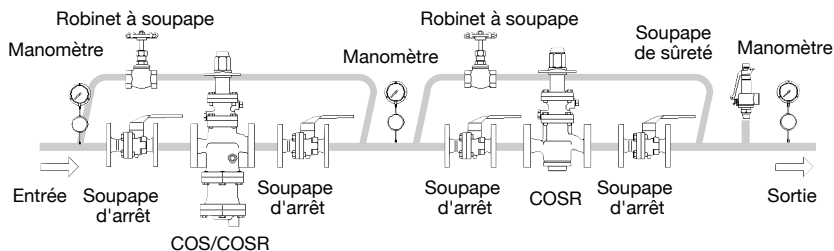
Si le flux dépasse 30 m/s, installer un diffuseur pour le ralentir. Si la distance entre le détendeur-régulateur et l'équipement vapeur est importante, il faut prendre en compte une chute possible de la pression lors du dimensionnement des conduites.



Conduites droites : 10d ou plus en amont 15d ou plus en aval

4.14 Réduction de la pression en deux étapes

Recourir à la réduction de la pression en deux étapes à chaque fois que la pression ne peut être ramenée au niveau souhaité avec un seul COS/COSR (suite à des limitations dans la plage de fonctionnement, par exemple lorsque le rapport de réduction est supérieur à 10:1)



4.15 Installation d'un filtre en Y (COSR)

Un filtre en Y devrait être installé avant le COSR. Il devrait être de 250 µm ou plus fin. Le filtre devrait être installé horizontalement et à 90° par rapport à l'orientation normale vis-à-vis du tuyau, afin d'empêcher toute accumulation de condensât dans le corps de la crépine (voir dessin).



4.16 Tube de prise d'impulsion externe

MODÈLES NORD-AMÉRICAINS

Les modèles nord-américains sont conçus pour accueillir un tube de prise d'impulsion externe. Sur ces modèles, un tube de prise d'impulsion externe DOIT être installé.

NE PAS OUVRIR L'ALIMENTATION VAPEUR avant que toutes les conduites, ainsi qu'un tube de prise d'impulsion DN 10 ($\frac{3}{8}$ ") de la pression aval, en pente légère, aient été correctement installés. Installer une soupape d'arrêt sur le tube de prise d'impulsion, pour l'entretien.



La soupape d'arrêt sur le tube de prise d'impulsion doit être toujours ouverte pendant le fonctionnement.

Lorsque cette soupape est fermée, le COS/COSR sera entièrement ouvert et **LA PRESSION FOURNIE AUX INSTALLATIONS SERA ÉGALE À LA PRESSION AMONT** (voir étape 4.16, n° 5).

AUTRES MODÈLES

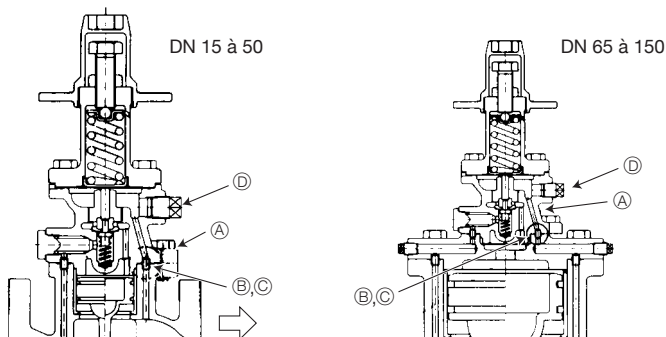
Les autres modèles sont conçus pour une prise d'impulsion interne.

Un orifice de détection de la pression en aval a été ajouté sur tous les corps pilotes COS et COSR pour permettre l'installation d'un tube de prise d'impulsion DN 10 ($\frac{3}{8}$ "). Celui-ci améliore les performances et accroît le débit de la soupape.

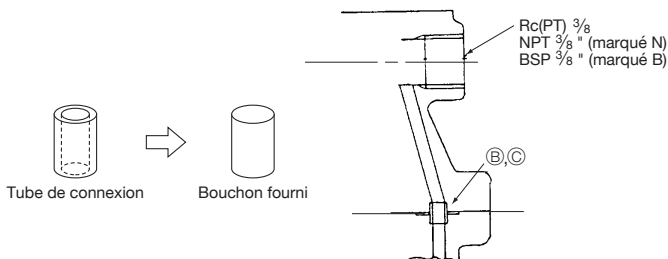
Tous les modèles, à l'exception de ceux destinés au marché nord-américain, sont livrés avec une fiche pour tube capteur de la pression aval placée dans cet orifice.

Lorsque la méthode de détection externe est utilisée, suivre la procédure d'installation donnée ci-dessous (sur les modèles nord-américains, un bouchon est placé de manière standard et il n'y a pas de fiche pour tube capteur de la pression en aval).

1. Desserrer et retirer les quatre boulons (A) qui relient le corps pilote au corps principal (DN 15 à 50), ou le couvercle pilote (DN 65 à 150) et retirer le corps pilote.

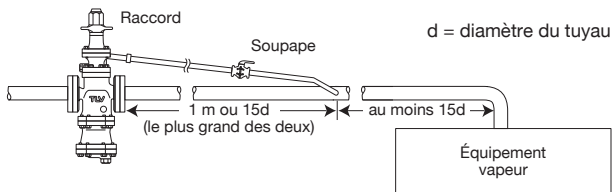


2. Installer le bouchon fourni (B) en enlevant d'abord le tube de connexion du corps principal ou du couvercle pilote, et le remplacer par le bouchon fourni.



- Réinstaller le corps pilote et serrer les quatre boulons (A) de façon égale selon le couple de serrage indiqué à la voir 6.8.
- Ensuite, desserrer et retirer le bouchon-tube prise d'impulsion (D).
- Monter le tube de prise d'impulsion de manière légèrement incliné.

La conduite DN 10 ($\frac{3}{8}$ ") devrait être connectée à un endroit où la pression sera mesurée. Le raccordement doit se faire à un point de la conduite principale où il y a une section droite, en amont, d'une longueur de 1 m ou 15d (d= diamètre de la conduite) - le plus grand des deux- et une section droite, en aval, d'une longueur d'au moins 15d.

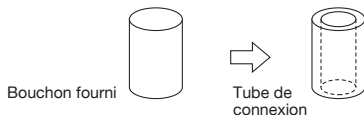


Une soupape d'arrêt et un raccord devraient être installés sur le tube, lorsque la soupape est mise hors service. (pour plus de détails voir le début du chapitre 4.16)

4.17 Tube de prise interne pour les modèles nord-américains

Lorsqu'une prise d'impulsion interne est requise pour des modèles nord-américains, veuillez contacter votre agent TLV le plus proche pour demander à la fois un tube de connexion, qui doit être installé à la place du bouchon, et une fiche filetée pour tube capteur de la pression aval*. Suivre la procédure d'installation du tube de connexion décrite ci-après :

- Desserrer et retirer les quatre boulons qui attachent le corps pilote au corps principal (DN 15 à 50) ou au couvercle pilote (DN 65 à 150), et retirer le corps pilote.
- Enlever le bouchon fourni du côté aval du corps principal, et le remplacer par le tube de connexion.



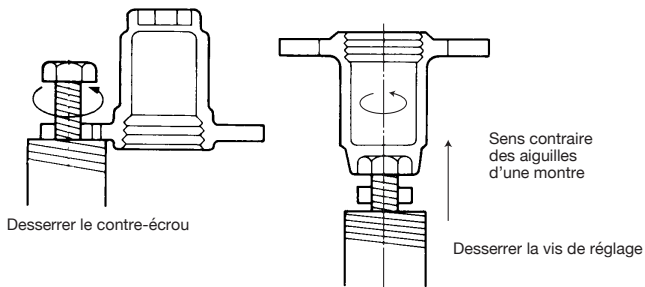
- Réinstaller le corps pilote et serrer les quatre boulons de façon égale selon le couple de serrage indiqué à la voir 6.8.
- Si un tube a été installé précédemment, le retirer et s'assurer de bien installer le bouchon - tube prise d'impulsion à la place.

* Le tube de prise d'impulsion interne ne peut être utilisé lorsque des COS-16/COSR-16 de DN 15 et DN 20 sont utilisés à une pression de moins de 3 bar et 1 bar respectivement, et à moins de 50% de la pression amont.

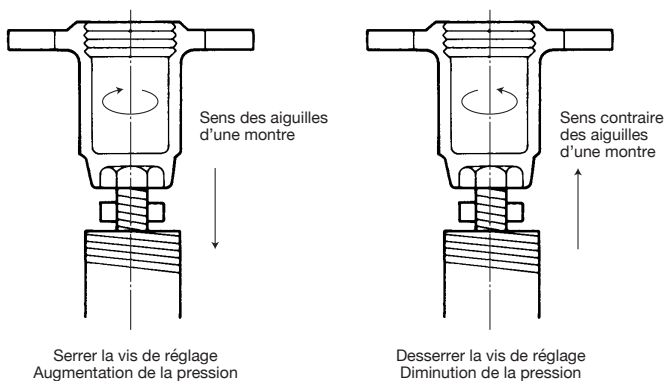
5. Réglage

Le détendeur COS/COSR doit être correctement réglé pour protéger les équipements de chauffage des coups de bélier.

1. Il est indispensable de vidanger toutes les conduites. Cette vidange est particulièrement importante si la conduite est nouvelle ou si elle a été inutilisée pendant une longue période. Faire particulièrement attention que du condensât, de la poussière ou d'autres corps ne demeurent pas à l'intérieur des installations de vapeur.
(Rester bien à l'écart de toute purge pressurisée issue de la soupape de sûreté.)
2. S'assurer que les soupapes d'arrêt et les soupapes en by-pass situées en amont et en aval du COS/COSR soient complètement fermées.
3. Retirer le chapeau clé anglaise, desserrer le contre-écrou et tourner la vis de réglage dans le sens opposé des aiguilles d'une montre pour réduire la tension appliquée au ressort.



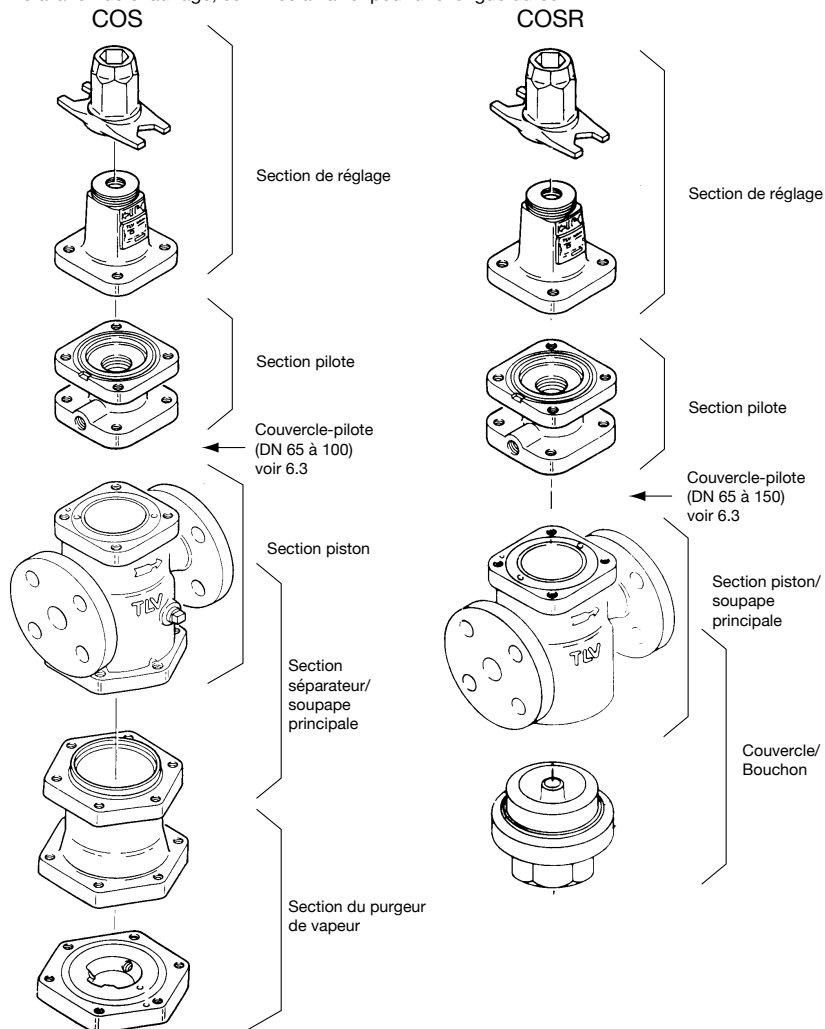
4. Ouvrir entièrement et délicatement la soupape d'arrêt en amont du COS/COSR. Attendre jusqu'à ce que le condensât demeurant en amont du COS/COSR soit évacué.
5. Ouvrir légèrement la soupape d'arrêt en aval du COS/COSR.
6. Tourner la vis de réglage dans le sens des aiguilles d'une montre jusqu'à ce que la pression désirée à la sortie soit obtenue. Attendre quelques minutes.



7. Ouvrir entièrement, mais lentement, la soupape d'arrêt en aval du COS/COSR.
8. Après la mise au point, resserrer le contre-écrou et replacer le chapeau.
9. Lors de la mise à l'arrêt du système, toujours fermer la soupape d'arrêt de sortie en premier, et puis la soupape d'entrée.

6. Démontage et vérification

Il est recommandé de démonter et contrôler le COS/COSR une fois par an pour un entretien préventif. Il est particulièrement important de recourir à cette pratique immédiatement après le premier usage d'une nouvelle ligne, ou bien lorsqu'une pièce d'équipement, comme une installation de chauffage, soit mise à l'arrêt pour une longue durée.



La dimension et la forme de certaines pièces utilisées sur les plus grosses vannes COS et COSR sont différentes de celles indiquées sur la figure.

**ATTENTION**

- Tout installation, inspection, entretien, réparation, démontage, réglage et ouverture/fermeture de vanne doit être fait uniquement par une personne formée à l'entretien.
- Utiliser les pièces recommandées et NE JAMAIS modifier le purgeur.

6.1 Avant le démontage

Évacuer toute la vapeur des tuyauteries (en amont et en aval). Si l'alimentation en vapeur du système ne peut être interrompue, passer par la ligne by-pass.

Fermer complètement les soupapes d'arrêt à l'entrée et à la sortie du COS/COSR. Soulager la pression résiduelle de la vapeur en desserrant légèrement le boulon du boîtier du ressort et le bouchon-tube de prise d'impulsion ou le porte-crêpine pilote.

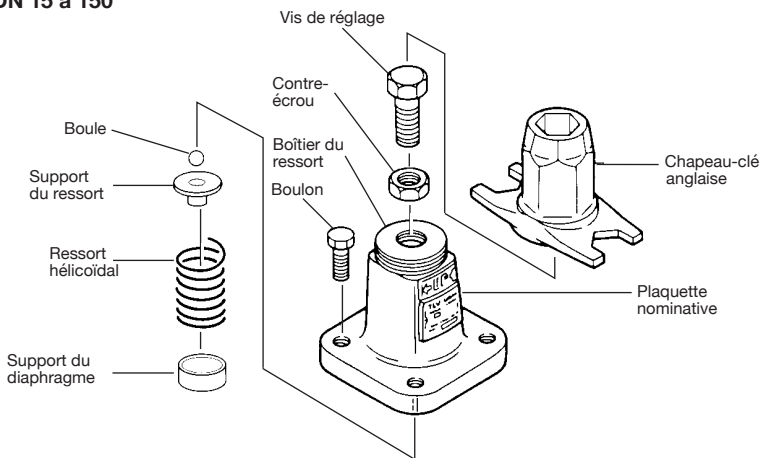
Attendre que le corps refroidisse avant d'enlever le COS/COSR des tuyauteries. Retirer ensuite les boulons retenant les brides d'entrée et de sortie, ainsi que le raccord de la conduite d'évacuation du purgeur, pour permettre le retrait du COS/COSR afin de le démonter et de le contrôler. Placer le COS/COSR dans un étau pour effectuer l'inspection.

6.2 Démontage de la section de réglage

Desserrer complètement la vis de réglage et retirer les boulons. Une fois enlevé le boîtier du ressort, le support du diaphragme, le ressort, le support du ressort et la boule sont visibles.

Vérifier qu'il n'y ait pas de grippage et qu'aucun pas de vis ne soit endommagé.

DN 15 à 150



6.3 Démontage de la section pilote

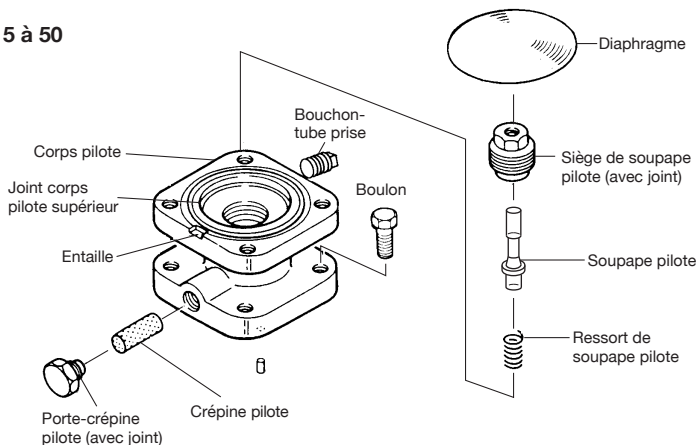
Le diaphragme est à retirer au moyen de l'entaille dans le corps pilote.

Desserrer le siège de soupape pilote avec une clé à douille, soulever la soupape pilote puis le ressort spiral de soupape pilote avec une paire de petites pinces.

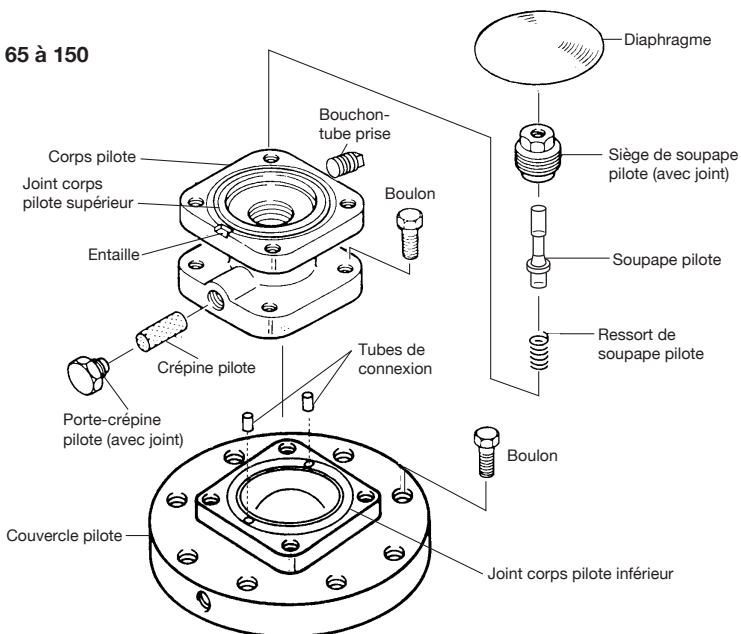
Desserrer ensuite la porte-crêpine pilote pour enlever la crêpine pilote.

Vérifier l'état du siège de la vanne pilote et des les joints d'étanchéité. Vérifier que la crépine pilote n'est pas obstruée. Vérifier la présence de déformations, de corrosion ou de défauts sur le diaphragme. Le diaphragme doit être convexe (ouvert vers le bas), avec la marque UP sur le dessus.

DN 15 à 50



DN 65 à 150

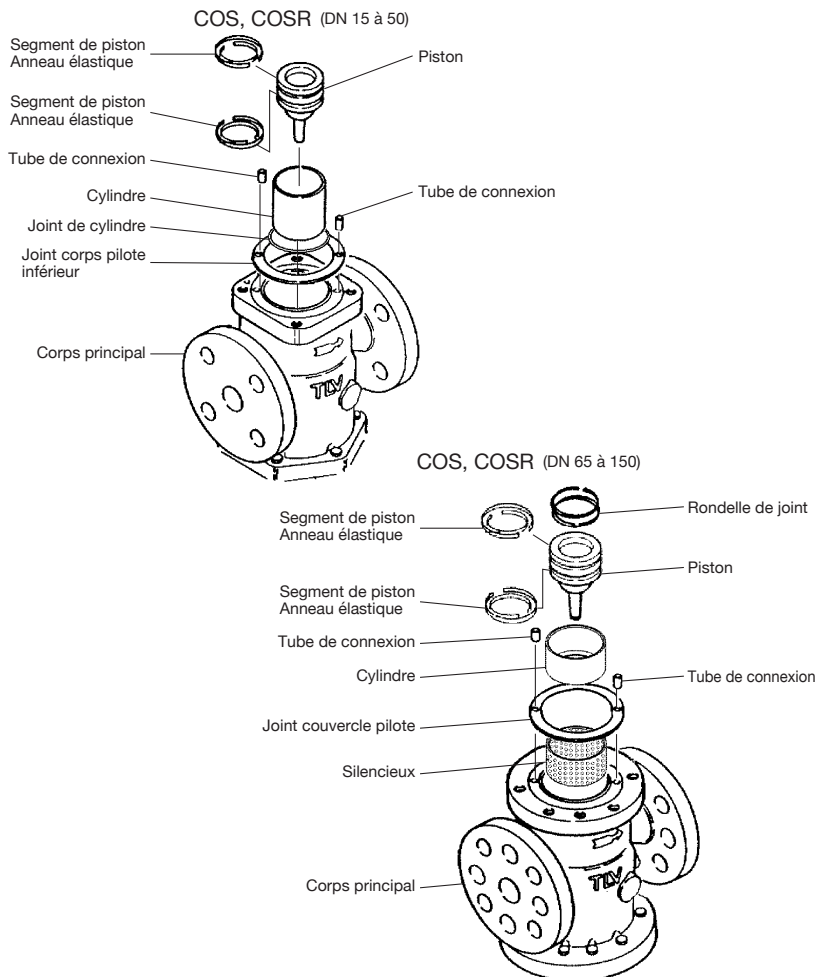


6.4 Démontage de la section à piston

Retirer le corps pilote après avoir desserré et retiré les boulons. Faire attention de ne pas perdre les tubes de connexion. Retirer le piston, le cylindre et le silencieux (DN 65 à 150 uniquement) du corps principal. Enlever ensuite le segment de piston et l'anneau élastique du piston.

NOTE : Ne pas appliquer une trop grande force en retirant le segment de piston et l'anneau élastique.

Contrôler l'intérieur du cylindre, l'extérieur des segments de piston, le petit trou dans le piston et les joints pour détecter tout défaut ou anomalie éventuelle.



La taille et la forme de certaines pièces des COS et COSR peuvent différer.

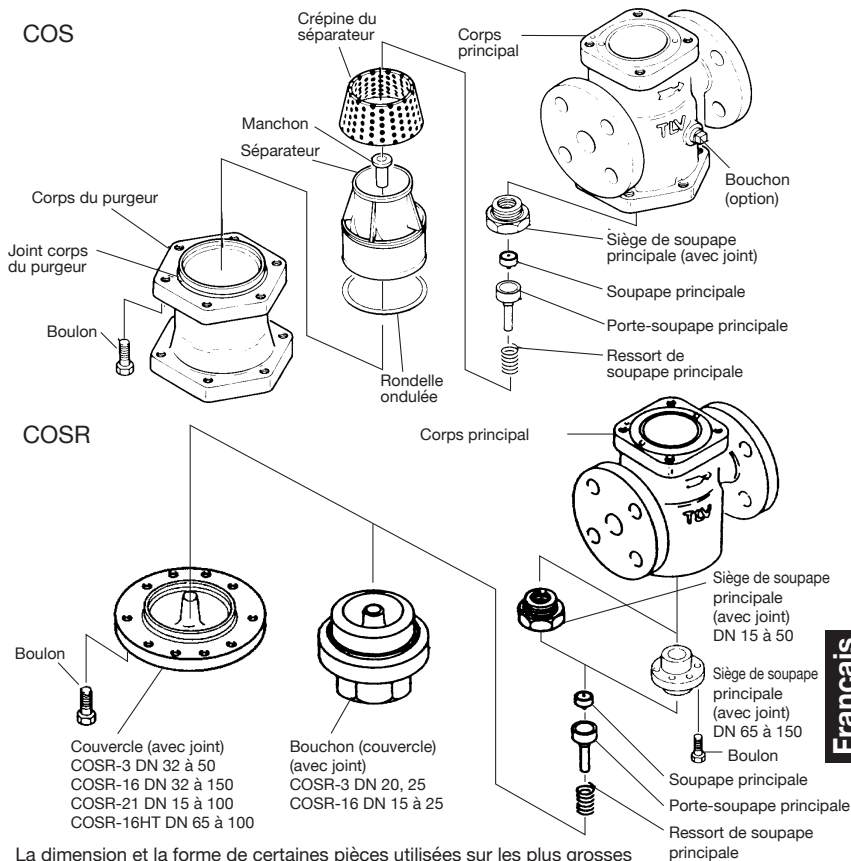
6.5 Démontage de la section séparateur (COS) et de la soupape principale (COS/COSR)

Retourner le COS à l'envers pour un démontage plus facile du séparateur et de la soupape principale. Desserrer les boulons et retirer le corps du purgeur. Faire attention que le séparateur ne tombe pas au moment de redresser le COS.

Le retrait du séparateur et du manchon enfoncé dans le cas du COS, ou du couvercle dans le cas du COSR, permet d'enlever le ressort de la soupape principale, la soupape principale et le porte-soupape principale, ainsi que la crépine du séparateur. Retirer le siège de soupape du corps avec une clé à douille.

Vérifier qu'il n'y ait pas de dégâts ni au siège ou aux surfaces de glissement de la soupape principale et du porte-soupape principale, ni à la surface d'assise du siège de soupape principale, ni aux joints, et que la crépine du séparateur ne soit pas encrassée.

[Lors de la mise en route après une période d'arrêt prolongé, toujours nettoyer la section du piston du corps par le bouchon (si le bouchon optionnel est fourni).]



La dimension et la forme de certaines pièces utilisées sur les plus grosses vannes COS et COSR sont différentes de celles indiquées sur la figure.

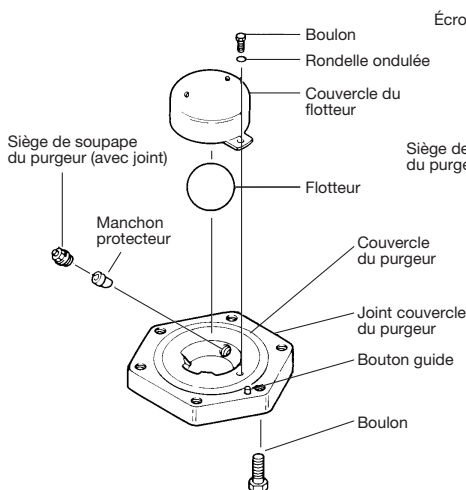
6.6 Démontage du purgeur de vapeur (COS)

Desserrer les boulons et enlever le couvercle du purgeur. Faire attention car il peut y avoir des éclaboussures de condensât chaud.

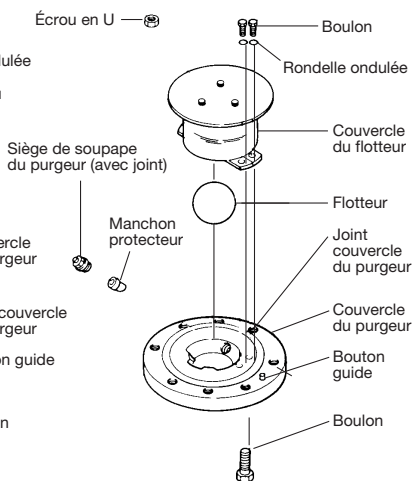
Retirer les boulons du couvercle du purgeur et du couvercle du flotteur pour dégager le flotteur. Sortir le flotteur, puis desserrer et retirer le siège de soupape du purgeur avec une clé à douille.

Vérifier que le flotteur ne soit pas déformé, qu'il n'y ait pas d'anomalie au siège de soupape du purgeur, et qu'il n'y ait pas d'accumulation de poussière dans le couvercle du purgeur.

DN 15 à 50



DN 65 à 100



6.7 Nettoyage

Après démontage et inspection visuelle, nettoyer les pièces suivantes à l'aide d'un détergent doux, puis remonter :

	COS, COSR	COS	COSR
Siège de soupape principale	Crépine-pilote	Couvercle du purgeur	Couvercle/ Bouchon
Soupape principale	Soupape-pilote	Flotteur	
Porte-soupape principale	Siège de soupape pilote	Siège de soupape du purgeur	
Piston	Vis de réglage	Crépine du séparateur	
Segment de piston	Support du ressort		
Cylindre			

6.8 Remontage

Remonter le détendeur en suivant la même procédure que pour le démontage, mais en ordre inverse.

1. Les couples de serrage sont les suivants :

Pièce	Taille (DN)	Ouverture de clé (mm)	Couples (N·m)
Boulon pour boîtier du ressort/Corps pilote	tout	16 ou 17*	40
Siège de soupape pilote	tout	18 ou 19*	70
Porte-crèpine pilote	tout	24	40
Boulon pour corps pilote/Corps principal	15 à 40	16 ou 17*	60
	50	18 ou 19*	70
Boulon pour Corps pilote/Couvercle pilote	65 à 150	16 ou 17*	60
Boulon pour couvercle pilot/Corps principal	65, 80	18 ou 19*	70
	100, 125	24	150
	150	36	300
Boulon pour Corps principal/Corps du purgeur (COS uniquement)	15 à 40	16 ou 17*	60
	50 à 80	19	70
	100	24	150
Boulon pour Corps du purgeur/Couvercle du purgeur (COS uniquement)	15 à 40	16 ou 17*	60
	50 à 80	19	70
	100	24	150
Siège de soupape principale	15, 20	36	100
	25	41	125
	32, 40	60	250
	50	70	300
	65, 80	13	30
Boulon pour siège de soupape principale	100, 125	16 ou 17*	40
	150	22	70
	15, 20	8	7
Boulon pour couvercle du flotteur (COS uniquement)	25 à 40	10	10
	50 à 100	13	20
	15, 20	11	10
Siège de soupape du purgeur (COS uniquement)	25 à 40	13	15
	50 à 80	17*	40
	100	19	55
	15, 20	41	250
Bouchon (couvercle) (COSR uniquement)	25	46	350
	15 à 25	16 ou 17*	60
Boulon pour couvercle/Corps principal (COSR uniquement)	32, 40	16 ou 17*	60
	50 à 80	18 ou 19*	70
	100, 125	24	150
	150	36	300

Les dimensions 125 et 150 mm ne sont disponibles que pour le COSR

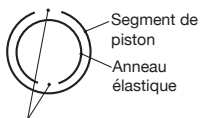
* La taille dépend de la norme du boulon

Note : Des couples de serrage plus élevés peuvent endommager le COS/COSR

Si des dessins ou autres documents spéciaux ont été fournis pour le produit, les couples de serrage donnés dans ces documents doivent être pris en compte plutôt que les valeurs données ici.

- Les joints en PTFE sont réutilisables s'ils ne comportent ni défaut, ni déformation.
- Appliquer un anti-grippant aux vis et boulons, sur la boule du support du ressort et sur la vis de réglage. Appliquer également une petite quantité d'anti-grippant aux pas de vis du siège de soupape principale, du siège de soupape pilote et du porte-crèpine pilote. Appliquer l'anti-grippant avec précaution de façon à ce qu'il n'entre pas en contact avec d'autres pièces.
- Serrer les boulons un à un dans une séquence diagonale afin d'assurer une assise uniforme.
- Une fois le remontage terminé, s'assurer que le piston et le guide-pilote fonctionnent correctement sans gripper.

Remontage du segment de piston



Ouvertures de l'anneau

- 1) Monter le segment de piston autour de l'anneau élastique.
- 2) Les ouvertures des anneaux doivent se faire face.

6.9 Inspections et entretiens réguliers

Pour garantir une longue durée de vie, les inspections et entretiens suivants doivent être faits régulièrement.

Pièce	Fréquence d'inspection et d'entretien
Crèpine séparateur (COS uniquement), crèpine pilote	Démonter et nettoyer annuellement. S'il y a un blocage important, installer un filtre (250 µm environ) en amont du COS/COSR.
Soupape principale, siège de soupape principale, soupape pilote, et siège de soupape pilote	Remplacer après 15 000 heures. S'il y a broutage ou présence de poussière, cela peut causer une usure prématurée.
Segment de piston	Remplacer après 8 000 heures. S'il y a broutage ou accumulation importante de résidus, cela peut causer une usure prématurée.
Piston	Remplacer après 30 000 heures. S'il y a des vibrations ou broutage, une usure prématurée peut en résulter.
Siège de soupape du purgeur	Remplacer après 40 000 heures. S'il y a accumulation importante de résidus, un blocage peut avoir lieu subitement.
Diaphragme	Remplacer après 30 000 heures. S'il y a des vibrations ou broutage, des fissures ou de l'usure peuvent survenir subitement.

7. Détection des problèmes

Ce produit est expédié après avoir subi des tests et un contrôle rigoureux, et devrait remplir ses fonctions pendant une longue durée, sans défaillances. Toutefois, si un problème devait survenir pendant le fonctionnement du COS/COSR, consulter le guide de détection des problèmes ci-dessous.

Les problèmes sont classifiés comme suit :

1. La pression aval n'augmente pas.
2. La pression aval ne peut être réglée ou croît anormalement.
3. La pression aval fluctue.
4. Du broutage se produit, causant un bruit mécanique important.
5. De la vapeur fuit du purgeur ou bien le condensât n'est pas évacué.
6. Des bruits anormaux.

Les principales causes des problèmes décrits ci-dessus sont l'utilisation du produit dans des conditions dépassant les spécifications prévues, une pression ou un débit insuffisant, et de l'encrassement par des saletés et des résidus.

Pour garantir un fonctionnement pendant une longue durée, il est recommandé de revoir les sections Précautions et remontage.

Pour éviter les dysfonctionnements imprévus, il est recommandé de procéder, après démontage, à une inspection annuelle.

En particulier, il convient d'inspecter le produit, surtout après les opérations consécutives à l'installation d'une nouvelle tuyauterie ou pendant les périodes d'arrêt prolongé, par exemple avant et après un arrêt du chauffage.

Tableau de détection des problèmes

Problèmes	Symptômes	Causes	Remèdes
La pression aval ne croît pas	Le corps n'est pas chaud	Pas d'alimentation de vapeur ou la vanne d'entrée est fermée	Vérifier les vannes
	Le corps est chaud mais la pression ne croît pas	Les crépines ou le filtre sont encrassés	Nettoyer ou purger
La pression aval ne peut être ajustée ou croît anormalement	Réglage difficile, la température de réglage fluctue	La crépine pilote est encrassée	Nettoyer
		Débit de vapeur insuffisant	Vérifier le débit, remplacer le COS/COSR si nécessaire
		Le piston est encrassé	Nettoyer ; vérifier l'anneau du piston
		Le petit trou du piston est encrassé	Nettoyer
		L'anneau de piston est usé	Remplacer par un nouvel anneau de piston
		Accumulation de saletés sur les surfaces de glissement de la soupape pilote, du piston ou de la soupape principale	Nettoyer
		Le débit excède le débit spécifié	Vérifier le débit, remplacer par une vanne plus grande
		La vis de réglage est coincée	Remplacer par une nouvelle vis de réglage
		Le diaphragme est déformé ou endommagé	Remplacer par un nouveau diaphragme
		La consommation de vapeur fluctue	Vérifier le débit, remplacer le COS/COSR si nécessaire
Le modèle sélectionné ne convient pas aux conditions de fonctionnement (spécifications)	Vérifier si le modèle choisi est le bon, remplacer le COS/COSR si nécessaire		

Détection des problèmes (suite)

Problèmes	Symptômes	Causes	Remèdes
La pression aval ne peut être réglée ou croît anormalement (suite)	Lors de la fermeture des vannes en aval, la pression en aval croît soudainement et atteint le niveau de la pression en amont	La soupape en by-pass fuit	Vérifier, nettoyer et remplacer par une nouvelle soupape si nécessaire
		Le siège de soupape pilote ou le siège de soupape principale est endommagé ou il y a une accumulation de saletés	Nettoyer ; aligner ; remplacer si nécessaire
Branlement ou broutage	En cas de faible demande de vapeur	Fonctionnement sous la limite de débit inférieure	Vérifier le volume de vapeur fournie, remplacer par une vanne plus petite
	Branlement permanent	Le rapport de réduction est trop grand (fonctionnement à moins de 10% de la pression en amont)	Recourir à une réduction en deux étapes
		Le modèle sélectionné ne convient pas aux conditions de fonctionnement (spécifications)	Vérifier si le modèle choisi est le bon, remplacer le COS/COSR si nécessaire
	Broutage continu	Le condensât est retenu ou le purgeur est bloqué	Vérifier le purgeur et la tuyauterie
Le modèle sélectionné ne convient pas aux conditions de fonctionnement (spécifications)		Vérifier si le modèle choisi est le bon, remplacer le COS/COSR si nécessaire	
Bruits anormaux	Bruit aigu	Le rapport de réduction est trop important	Recourir à une réduction en deux étapes
		Le débit est trop élevé	Vérifier le débit, utiliser une vanne plus grande
		Il y a une vanne d'ouverture/fermeture à rapide à proximité	Installer la vanne le plus loin possible
Purgeur de vapeur défectueux (COS unique-ment)	Fuite de vapeur	Accumulation de saletés sur le siège de soupape du purgeur ou à la base du flotteur	Nettoyer
		Le corps n'est pas installé droit	Vérifier les tuyauteries
		Le flotteur est déformé	Vérifier s'il n'y a pas de coups de bélier ; remplacer par un nouveau flotteur
		Vibration des conduites	Attacher fermement les conduites
	Pas de purge de condensat	La pression amont excède la pression de fonctionnement maximale du siège du purgeur (plage pressions COS)	Vérifier que le COS est utilisé dans la plage de pressions correcte
		Eau à l'intérieur du flotteur	Remplacer par un nouveau flotteur
		Conduite de sortie encrassée	Vérifier la conduite ; nettoyer
		Le siège du purgeur est encrassé	Nettoyer ou remplacer par un nouveau siège de soupape

8. TLV EXPRESS LIMITED WARRANTY

Subject to the limitations set forth below, TLV CO., LTD., a Japanese corporation (“**TLV**”), warrants that products which are sold by it, TLV International Inc. (“**TII**”) or one of its group companies excluding TLV Corporation (a corporation of the United States of America), (hereinafter the “**Products**”) are designed and manufactured by TLV, conform to the specifications published by TLV for the corresponding part numbers (the “**Specifications**”) and are free from defective workmanship and materials. The party from whom the Products were purchased shall be known hereinafter as the “**Seller**”. With regard to products or components manufactured by unrelated third parties (the “**Components**”), TLV provides no warranty other than the warranty from the third party manufacturer(s), if any.

Exceptions to Warranty

This warranty does not cover defects or failures caused by:

1. improper shipping, installation, use, handling, etc., by persons other than TLV, TII or TLV group company personnel, or service representatives authorized by TLV; or
2. dirt, scale or rust, etc.; or
3. improper disassembly and reassembly, or inadequate inspection and maintenance by persons other than TLV or TLV group company personnel, or service representatives authorized by TLV; or
4. disasters or forces of nature or Acts of God; or
5. abuse, abnormal use, accidents or any other cause beyond the control of TLV, TII or TLV group companies; or
6. improper storage, maintenance or repair; or
7. operation of the Products not in accordance with instructions issued with the Products or with accepted industry practices; or
8. use for a purpose or in a manner for which the Products were not intended; or
9. use of the Products in a manner inconsistent with the Specifications; or
10. use of the Products with Hazardous Fluids (fluids other than steam, air, water, nitrogen, carbon dioxide and inert gases (helium, neon, argon, krypton, xenon and radon)); or
11. failure to follow the instructions contained in the TLV Instruction Manual for the Product.

Duration of Warranty

This warranty is effective for a period of one (1) year after delivery of Products to the first end user. Notwithstanding the foregoing, asserting a claim under this warranty must be brought within three (3) years after the date of delivery to the initial buyer if not sold initially to the first end user. ANY IMPLIED WARRANTIES NOT NEGATED HEREBY WHICH MAY ARISE BY OPERATION OF LAW, INCLUDING THE IMPLIED WARRANTIES OF MERCHANTABILITY AND FITNESS FOR A PARTICULAR PURPOSE AND ANY EXPRESS WARRANTIES NOT NEGATED HEREBY, ARE GIVEN SOLELY TO THE INITIAL BUYER AND ARE LIMITED IN DURATION TO ONE (1) YEAR FROM THE DATE OF SHIPMENT BY THE SELLER.

Exclusive Remedy

THE EXCLUSIVE REMEDY UNDER THIS WARRANTY, UNDER ANY EXPRESS WARRANTY OR UNDER ANY IMPLIED WARRANTIES NOT NEGATED HEREBY (INCLUDING THE IMPLIED WARRANTIES OF MERCHANTABILITY AND FITNESS FOR A PARTICULAR PURPOSE), IS **REPLACEMENT**; PROVIDED: (a) THE CLAIMED DEFECT IS REPORTED TO THE SELLER IN WRITING WITHIN THE WARRANTY PERIOD, INCLUDING A DETAILED WRITTEN DESCRIPTION OF THE CLAIMED DEFECT AND HOW AND WHEN THE CLAIMED DEFECTIVE PRODUCT WAS USED; AND (b) THE CLAIMED DEFECTIVE PRODUCT AND A COPY OF THE PURCHASE INVOICE IS RETURNED TO THE SELLER, FREIGHT AND TRANSPORTATION COSTS PREPAID, UNDER A RETURN MATERIAL AUTHORIZATION AND TRACKING NUMBER ISSUED BY THE SELLER. ALL LABOR COSTS, SHIPPING COSTS, AND TRANSPORTATION COSTS ASSOCIATED WITH THE RETURN OR REPLACEMENT OF THE CLAIMED DEFECTIVE PRODUCT ARE SOLELY THE RESPONSIBILITY OF BUYER OR THE FIRST END USER. THE SELLER RESERVES THE RIGHT TO INSPECT ON THE FIRST END USER'S SITE ANY PRODUCTS CLAIMED TO BE DEFECTIVE BEFORE ISSUING A RETURN MATERIAL AUTHORIZATION. SHOULD SUCH INSPECTION REVEAL, IN THE SELLER'S REASONABLE DISCRETION, THAT THE CLAIMED DEFECT IS NOT COVERED BY THIS WARRANTY, THE

PARTY ASSERTING THIS WARRANTY SHALL PAY THE SELLER FOR THE TIME AND EXPENSES RELATED TO SUCH ON-SITE INSPECTION.

Exclusion of Consequential and Incidental Damages

IT IS SPECIFICALLY ACKNOWLEDGED THAT THIS WARRANTY, ANY OTHER EXPRESS WARRANTY NOT NEGATED HEREBY, AND ANY IMPLIED WARRANTY NOT NEGATED HEREBY, INCLUDING THE IMPLIED WARRANTIES OF MERCHANTABILITY AND FITNESS FOR A PARTICULAR PURPOSE, DO NOT COVER, AND NEITHER TLV, TII NOR ITS TLV GROUP COMPANIES WILL IN ANY EVENT BE LIABLE FOR, INCIDENTAL OR CONSEQUENTIAL DAMAGES, INCLUDING, BUT NOT LIMITED TO LOST PROFITS, THE COST OF DISASSEMBLY AND SHIPMENT OF THE DEFECTIVE PRODUCT, INJURY TO OTHER PROPERTY, DAMAGE TO BUYER'S OR THE FIRST END USER'S PRODUCT, DAMAGE TO BUYER'S OR THE FIRST END USER'S PROCESSES, LOSS OF USE, OR OTHER COMMERCIAL LOSSES. WHERE, DUE TO OPERATION OF LAW, CONSEQUENTIAL AND INCIDENTAL DAMAGES UNDER THIS WARRANTY, UNDER ANY OTHER EXPRESS WARRANTY NOT NEGATED HEREBY OR UNDER ANY IMPLIED WARRANTY NOT NEGATED HEREBY (INCLUDING THE IMPLIED WARRANTIES OF MERCHANTABILITY AND FITNESS FOR A PARTICULAR PURPOSE) CANNOT BE EXCLUDED, SUCH DAMAGES ARE EXPRESSLY LIMITED IN AMOUNT TO THE PURCHASE PRICE OF THE DEFECTIVE PRODUCT. THIS EXCLUSION OF CONSEQUENTIAL AND INCIDENTAL DAMAGES, AND THE PROVISION OF THIS WARRANTY LIMITING REMEDIES HEREUNDER TO REPLACEMENT, ARE INDEPENDENT PROVISIONS, AND ANY DETERMINATION THAT THE LIMITATION OF REMEDIES FAILS OF ITS ESSENTIAL PURPOSE OR ANY OTHER DETERMINATION THAT EITHER OF THE ABOVE REMEDIES IS UNENFORCEABLE, SHALL NOT BE CONSTRUED TO MAKE THE OTHER PROVISIONS UNENFORCEABLE.

Exclusion of Other Warranties

THIS WARRANTY IS IN LIEU OF ALL OTHER WARRANTIES, EXPRESS OR IMPLIED, AND ALL OTHER WARRANTIES, INCLUDING BUT NOT LIMITED TO THE IMPLIED WARRANTIES OF MERCHANTABILITY AND FITNESS FOR A PARTICULAR PURPOSE, ARE EXPRESSLY DISCLAIMED.

Severability

Any provision of this warranty which is invalid, prohibited or unenforceable in any jurisdiction shall, as to such jurisdiction, be ineffective to the extent of such invalidity, prohibition or unenforceability without invalidating the remaining provisions hereof, and any such invalidity, prohibition or unenforceability in any such jurisdiction shall not invalidate or render unenforceable such provision in any other jurisdiction.

8. Eingeschränkte ausdrückliche Garantie der TLV

Vorbehaltlich der nachfolgenden Einschränkungen versichert die TLV CO., LTD., eine Gesellschaft nach japanischem Recht („**TLV**“), dass die von ihr, von der TLV International Inc. („**TII**“) oder von einer ihrer Konzerngesellschaften mit Ausnahme der TLV Corporation (einer Gesellschaft nach dem Recht der Vereinigten Staaten von Amerika) vertriebenen Produkte (nachstehend „**die Produkte**“) durch die TLV gemäß den von ihr für die jeweiligen Teilenummern veröffentlichten Technischen Daten (nachstehend „**die Technischen Daten**“) konstruiert und gefertigt wurden und keinerlei Verarbeitungs- und Materialmängel aufweisen. Die Partei, von der die Produkte erworben wurden, wird im Folgenden als „**der Verkäufer**“ bezeichnet. Für Produkte oder Komponenten (nachstehend „**die Komponenten**“), die von unverbundenen Dritten hergestellt wurden, gewährt die TLV über eine etwaige Fremdherstellergarantie hinaus keinerlei Garantie.

Ausnahmen von der Garantie

Diese Garantie gilt nicht für Defekte oder Störungen infolge von:

1. unsachgemäßem Versand, unsachgemäßer Installation, Handhabung etc. durch Dritte, die nicht zum Personenkreis von TLV, TII, TLV-Konzerngesellschaften oder von TLV ermächtigten Dienstleistern gehören;
2. Schmutz, Abbrand, Rost etc.;
3. unsachgemäße Demontage oder Remontage oder unzureichende Inspektion und Wartung durch Dritte, die nicht zum Personenkreis von TLV, TLV-Konzerngesellschaften oder von TLV ermächtigten Dienstleistern gehören;
4. Naturkatastrophen, Naturgewalten oder höhere Gewalt;
5. Missbrauch, falscher Gebrauch, Unfälle oder anderen Gründen, die sich der Kontrolle von TLV, TII oder TLV-Konzerngesellschaften entziehen;
6. unsachgemäßer Aufbewahrung, Wartung oder Reparatur;
7. den mit den Produkten gelieferten Anweisungen oder den üblichen Branchengepflogenheiten zuwiderlaufender Bedienung der Produkte;
8. zweckfremder Verwendung;
9. mit den Technischen Daten unvereinbarer Verwendung;
10. Verwendung der Produkte mit gefährlichen Flüssigkeiten (Flüssigkeiten, die weder Wasserdampf, Luft, Wasser, Stickstoff oder Kohlenstoffdioxid noch Inertgase (wie Helium, Neon, Argon, Krypton, Xenon, Radon etc.)) sind;
11. Nichtbefolgung der Anweisungen in der TLV-Gebrauchsanweisung für das Produkt.

Gültigkeitsdauer der Garantie

Die Garantie gilt für einen Zeitraum von einem (1) Jahr nach Auslieferung der Produkte an deren ersten Endbenutzer. Ungeachtet der obigen Bestimmungen sind Ansprüche im Rahmen dieser Garantie innerhalb von drei (3) Jahren nach der Auslieferung an den Erstkäufer geltend zu machen, falls der Erstkäufer und der erste Endbenutzer nicht identisch sind. Jegliche hier nicht ausgeschlossene implizite Garantie, die von Rechts wegen entsteht, einschließlich der impliziten Garantie der Marktgängigkeit und der Tauglichkeit für einen bestimmten Zweck, sowie jegliche hier nicht ausgeschlossene ausdrückliche Garantie gelten nur gegenüber dem Erstkäufer und sind auf ein (1) Jahr nach dem Versand durch den Verkäufer beschränkt.

Einschränkung der Rechtsbehelfe

Der einzig zulässige Rechtsbehelf im Rahmen dieser Garantie sowie im Falle jeglicher ausdrücklicher Garantie oder implizierter Garantien, die hier nicht ausgeschlossen sind (einschließlich der impliziten Garantie der Marktgängigkeit und der Tauglichkeit für einen bestimmten Zweck), ist der **Ersatz**, sofern: (a) Der geltend gemachte Mangel dem Verkäufer schriftlich innerhalb der Garantiedauer mitgeteilt wird und diese Mitteilung eine schriftliche Beschreibung des behaupteten Mangels und eine Beschreibung, wie und wann das für mangelhaft befundene Produkt verwendet wurde, enthält; und (b) das für mangelhaft befundene Produkt nebst einer Kopie der für den Kauf ausgestellten Rechnung dem Verkäufer unter Vorauszahlung der Fracht- und Versandkosten und mit einer vom Verkäufer ausgestellten Retouren genehmigung und einer Nachverfolgungsnummer zurückgesandt wird. Der Verkäufer behält sich das Recht vor, jegliches für mangelhaft befundenes Produkt am Standort des ersten Endbenutzers zu inspizieren, bevor er eine Retouren genehmigung ausstellt. Ergibt diese Inspektion

nach dem verantwortlichen Ermessen des Verkäufers, dass der behauptete Mangel von der vorliegenden Garantie nicht gedeckt ist, so hat die Partei, welche den Garantieanspruch geltend macht, den Verkäufer für den Kosten- und Zeitaufwand der vor Ort getätigten Inspektion zu entschädigen.

Haftungsausschluss für Folge- und Zufallsschäden

Es wird ausdrücklich darauf hingewiesen, dass diese Garantie, jegliche andere ausdrückliche Garantie, die hier nicht ausgeschlossen ist, sowie jegliche implizite Garantie, die hier nicht ausgeschlossen ist, einschließlich der impliziten Garantie der Marktgängigkeit und der Tauglichkeit für einen bestimmten Zweck, Folge- und Zufallsschäden, einschließlich aber nicht beschränkt auf Gewinneinbußen, Kosten für Demontage und Versand des mangelhaften Produkts, Schäden an anderem Eigentum, Schäden an Produkten des Käufers oder des ersten Endbenutzers, Schäden an den Verfahren des Käufers oder des ersten Endbenutzers und entgangenem Nutzen oder sonstigen geschäftlichen Verlusten, nicht abdecken. Soweit von Rechts wegen eine Haftung für Folge- und Zufallsschäden im Rahmen dieser Garantie oder im Rahmen einer anderen ausdrücklichen Garantie, die hier nicht ausgeschlossen ist, oder im Rahmen einer impliziten Garantie, die hier nicht ausgeschlossen ist (einschließlich der impliziten Garantie der Marktgängigkeit und der Tauglichkeit für einen bestimmten Zweck), nicht ausgeschlossen werden kann, ist diese Haftung ausdrücklich auf die Höhe des Kaufpreises des mangelhaften Produkts beschränkt. Der Haftungsausschluss für Folge- und Zufallsschäden und die Bestimmungen dieser Garantie zur Beschränkung der hierunter gültigen Rechtsbehelfe auf Ersatz sind voneinander unabhängige Bestimmungen und keine Feststellung, dass die Beschränkung der Rechtsbehelfe ihren eigentlichen Zweck verfehlt, und auch keine andere Feststellung der Unwirksamkeit einer der beiden obigen Bestimmungen kann derart ausgelegt werden, dass sie die Unwirksamkeit der jeweils anderen Bestimmung nach sich zieht.

Ausschluss sonstiger Garantien

Diese Garantie gilt anstelle aller sonstigen ausdrücklichen oder impliziten Garantien, und alle übrigen Garantien, einschließlich aber nicht beschränkt auf die implizite Garantie der Marktgängigkeit und Tauglichkeit für einen bestimmten Zweck, werden ausdrücklich ausgeschlossen.

Abtrennbarkeit von Bestimmungen

Jede Bestimmung dieser Garantie, die in einer bestimmten Rechtsordnung ungültig, unrechtmäßig oder nicht vollstreckbar ist, verliert in der jeweiligen Rechtsordnung ihre Wirksamkeit im Maße dieser Ungültigkeit, Unrechtmäßigkeit oder Nichtvollstreckbarkeit, ohne dabei die Gültigkeit der übrigen Bestimmungen der Garantie zu beeinträchtigen und ohne dabei die Gültigkeit oder Vollstreckbarkeit der jeweiligen Bestimmung in anderen Rechtsordnungen zu beeinträchtigen.

8. GARANTIE LIMITÉE EXPRESSE TLV

Sous réserve des limitations mentionnées ci-dessous, TLV CO., LTD., une société japonaise (« **TLV** »), garantit que les produits vendus par elle-même, par TLV International Inc. (« **TII** ») ou par l'une des sociétés de son groupe, à l'exclusion de TLV Corporation (une société des États-Unis d'Amérique), (ci-après, les « **Produits** ») sont conçus et fabriqués par TLV, conformément aux spécifications publiées par TLV pour les numéros de pièces correspondants (les « **Spécifications** ») et qu'ils sont exempts de défauts de fabrication et des matériaux. La partie auprès de laquelle les Produits ont été achetés sera dénommée ci-après le « **Vendeur** ». Concernant les produits ou composants fabriqués par des parties tierces non liées (les « **Composants** »), TLV ne fournit aucune garantie autre que la garantie du(des) fabricant(s) tiers, le cas échéant.

Exceptions à la garantie

La présente garantie ne couvre pas les défauts ou défaillances causés par :

1. une expédition, une installation, une utilisation, une manipulation, etc. inadaptée(s) par des personnes autres que TLV, TII ou une société du groupe TLV, ou des agents de service autorisés par TLV, ou
2. la souillure, les dépôts calcaires ou la rouille, etc., ou
3. un démontage et un remontage incorrects, ou une inspection et une maintenance inadéquates par des personnes autres que TLV, TII ou une société du groupe TLV, ou des agents de service autorisés par TLV, ou
4. des catastrophes ou des phénomènes naturels ou des actes de Dieu, ou
5. l'abus, l'utilisation anormale, les accidents ou toute autre cause échappant au contrôle de TLV, de TII ou des sociétés du groupe TLV, ou
6. un stockage, une maintenance ou une réparation inadéquats, ou
7. une utilisation des Produits non conforme aux instructions fournies avec les Produits ou aux pratiques admises dans le secteur, ou
8. une utilisation à une fin ou d'une manière auxquelles les Produits n'étaient pas destinés, ou
9. l'utilisation des Produits d'une manière non conforme aux Spécifications, ou
10. l'utilisation des Produits avec des Fluides Dangereux (fluides autres que la vapeur, l'air, l'eau, l'azote, le dioxyde de carbone et les gaz inertes [par exemple, hélium, néon, argon, krypton, xénon et radon, etc.]), ou
11. le non-respect des instructions contenues dans le Manuel d'Utilisation TLV pour le Produit.

Durée de la garantie

Cette garantie est valide pour une durée d'un (1) an après livraison des Produits au premier utilisateur final. Nonobstant ce qui précède, toute réclamation au titre de cette garantie devra être faite dans les trois (3) ans à dater desuivant la date de livraison à l'acheteur initial si la vente n'estes Produits n'ont pas été vendus initialement faite au premier utilisateur final.

TOUTES GARANTIES TACITES NON REJETÉES PAR LES PRÉSENTES POUVANT SURVENIRRÉSULTER DE L'APPLICATION PAR EFFET DE LA LOI, Y COMPRIS LES GARANTIES TACITES DE QUALITÉ MARCHANDE ET D'ADÉQUATION À UN USAGE PARTICULIER, ET TOUTES GARANTIES EXPRESSES NON REJETÉES PAR LES PRÉSENTES SONT DONNÉES UNIQUEMENT À L'ACHETEUR INITIAL ET SONT LIMITÉES À UNE DURÉE D'UN (1) AN À COMPTER DE LA DATE D'EXPÉDITION PAR LE VENDEUR.

Recours exclusif

LE RECOURS EXCLUSIF AU TITRE DE CETTE GARANTIE, AU TITRE DE TOUTE GARANTIE EXPRESSE OU AU TITRE DE TOUTES GARANTIES TACITES NON REJETÉES PAR LES PRÉSENTES (Y COMPRIS LES GARANTIES TACITES DE QUALITÉ MARCHANDE OU D'ADÉQUATION À UN USAGE PARTICULIER), EST LE **REMPLACEMENT**; À CONDITION QUE :

- (a) LE DÉFAUT INVOQUÉ SOIT SIGNALÉ AU VENDEUR PAR ÉCRIT AU COURS DE LA PÉRIODE DE GARANTIE, AVEC UNE DESCRIPTION ÉCRITE DÉTAILLÉE PRÉCISANT LE DÉFAUT INVOQUÉ ET COMMENT ET QUAND LE PRODUIT DÉFECTUEUX INVOQUÉ A ÉTÉ UTILISÉ; ET
- (b) LE PRODUIT DÉFECTUEUX INVOQUÉ ET UNE COPIE DE LA FACTURE D'ACHAT SOIENT RETOURNÉS AU VENDEUR, FRAIS DE PORT PRÉPAYÉS, AVEC UNE AUTORISATION DE RETOUR DE MATÉRIEL ET UN NUMÉRO DE SUIVI ÉMIS PAR LE VENDEUR. TOUS LES FRAIS DE MAIN D'ŒUVRE, D'EXPÉDITION ET DE PORT ASSOCIÉS AU RETOUR OU REMPLACEMENT

DU PRODUIT DÉFECTUEUX INVOQUÉ SONT DE LA SEULE RESPONSABILITÉ DE L'ACHETEUR OU DU PREMIER UTILISATEUR FINAL. LE VENDEUR SE RÉSERVE LE DROIT D'INSPECTER SUR LE SITE DU PREMIER UTILISATEUR FINAL TOUT PRODUIT INVOQUÉ COMME ÉTANT DÉFECTUEUX AVANT D'ÉMETTRE UNE AUTORISATION DE RETOUR DE MATÉRIEL. SI CETTE INSPECTION DEVAIT RÉVÉLER, À L'APPRÉCIATION RAISONNABLE DU VENDEUR, QUE LE DÉFAUT INVOQUÉ N'EST PAS COUVERT PAR LA PRÉSENTE GARANTIE, LA PARTIE FAISANT VALOIR LE DROIT À GARANTIE DEVRA PAYER LE VENDEUR POUR LE TEMPS ET LES FRAIS LIÉS À LADITE INSPECTION SUR SITE.

Exclusion des dommages indirects ou consécutifs

IL EST EXPRESSÉMENT ADMIS QUE LA PRÉSENTE GARANTIE, TOUTE AUTRE GARANTIE EXPRESSE NON REJETÉE PAR LES PRÉSENTES, ET TOUTE GARANTIE TACITE NON REJETÉE PAR LES PRÉSENTES, Y COMPRIS LES GARANTIES TACITES DE QUALITÉ MARCHANDE ET D'ADÉQUATION À UN USAGE PARTICULIER, NE COUVRENT PAS, DE MÊME QUE NI TLV, NI TII, NI LES SOCIÉTÉS DU GROUPE TLV NE POURRONT EN AUCUN CAS ÊTRE TENUES RESPONSABLES POUR, LES DOMMAGES CONSÉCUTIFS OU INDIRECTS, Y COMPRIS, MAIS SANS S'Y LIMITER, UNE PERTE DE BÉNÉFICES, LE COÛT DU DÉMONTAGE ET DE L'EXPÉDITION DU PRODUIT DÉFECTUEUX, LES DOMMAGES À D'AUTRES BIENS, LES DOMMAGES AU PRODUIT DE L'ACHETEUR OU DU PREMIER UTILISATEUR FINAL, LES DOMMAGES AUX PROCÉDÉS DE L'ACHETEUR OU DU PREMIER UTILISATEUR FINAL, LA PERTE D'USAGE, OU D'AUTRES PERTES COMMERCIALES. SI, PAR EFFET DE LA LOI, DES DOMMAGES INDIRECTS OU CONSÉCUTIFS AU TITRE DE LA PRÉSENTE GARANTIE, AU TITRE DE TOUTE AUTRE GARANTIE EXPRESSE NON REJETÉE PAR LES PRÉSENTES OU AU TITRE DE TOUTE AUTRE GARANTIE TACITE NON REJETÉE PAR LES PRÉSENTES (Y COMPRIS LES GARANTIES TACITES DE QUALITÉ MARCHANDE OU D'ADÉQUATION À UN USAGE PARTICULIER) NE PEUVENT ÊTRE EXCLUS, LE MONTANT DES DOMMAGES-INTÉRÊTS QUI PEUVENT EN RÉSULTER EST EXPRESSÉMENT LIMITÉ AU PRIX D'ACHAT DU PRODUIT DÉFECTUEUX. CETTE EXCLUSION DES DOMMAGES INDIRECTS ET CONSÉCUTIFS, ET LA DISPOSITION DE LA PRÉSENTE GARANTIE LIMITANT LES VOIES DE RECOURS AU REMPLACEMENT, SONT DES DISPOSITIONS INDÉPENDANTES, ET S'IL ÉTAIT DÉTERMINÉ QUE LA LIMITATION DES RECOURS NE REMPLISSAIT PAS SA FONCTION ESSENTIELLE OU QUE L'UN OU L'AUTRE DES RECOURS SUSMENTIONNÉS ÉTAIT NON EXÉCUTOIRE, CETTE DÉTERMINATION NE DEVRA PAS ÊTRE INTERPRÉTÉE COMME RENDANT LES AUTRES DISPOSITIONS NON EXÉCUTOIRES.

Exclusion d'autres garanties

CETTE GARANTIE REMPLACE TOUTE AUTRE GARANTIE, EXPRESSE OU TACITE, ET TOUTES LES AUTRES GARANTIES, Y COMPRIS MAIS SANS S'Y LIMITER LES GARANTIES TACITES DE QUALITÉ MARCHANDE OU D'ADÉQUATION À UN USAGE PARTICULIER, SONT EXPRESSÉMENT EXCLUES.

Divisibilité

Toute disposition de la présente garantie qui est invalide, interdite ou non exécutoire dans une juridiction quelconque devra, quant à cette juridiction, être considérée inopérante dans la mesure de cette invalidité ou interdiction ou de ce caractère non exécutoire, sans pour autant invalider les autres dispositions des présentes, et cette invalidité ou prohibition ou ce caractère non exécutoire dans une telle juridiction n'invalidera pas et ne rendra pas non exécutoire ladite disposition dans une autre juridiction.

For Service or Technical Assistance:

Contact your TLV representative or your regional TLV office.

Für Reparatur und Wartung:

Wenden Sie sich bitte an Ihre TLV Vertretung oder an eine der TLV Niederlassungen.

Pour tout service ou assistance technique:

Contactez votre agent TLV ou votre bureau régional TLV.

USA and Canada: TLV CORPORATION

USA und Kanada: 13901 South Lakes Drive, Charlotte,
E.U. et le Canada: NC 28273-6790, U.S.A.

Tel: [1]-704-597-9070

Fax: [1]-704-583-1610

Mexico and Latin America: TLV ENGINEERING S. A. DE C. V.

Mexiko und Lateinamerika: Av. Jesús del Monte 39-B-1001, Col. Hda. de las Palmas,
Mexique et Amérique latine: Huixquilucan, Edo. de México, 52763, Mexico

Tel: [52]-55-5359-7949

Fax: [52]-55-5359-7585

Europe: TLV EURO ENGINEERING GmbH

Europa: Daimler-Benz-Straße 16-18,

Europe: 74915 Waibstadt, Germany

Tel: [49]-0)7263-9150-0

United Kingdom: TLV EURO ENGINEERING UK LTD.

Großbritannien: Units 7 & 8, Furlong Business Park, Bishops Cleeve,
Royaume Uni: Gloucestershire GL52 8TW, UK

Tel: [44]-0)1242-227223

France: TLV EURO ENGINEERING FRANCE SARL

Frankreich: Parc d'Ariane 2, bât. C, 290 rue Ferdinand Perrier,
France: 69800 Saint Priest, France

Tel: [33]-0)4-72482222

Fax: [33]-0)4-72482220

Oceania: TLV PTY LIMITED

Ozeanien: Unit 8, 137-145 Rooks Road, Nunawading,

Océanie: Victoria 3131, Australia

Tel: [61]-0)3-9873 5610

Fax: [61]-0)3-9873 5010

Southeast Asia: TLV PTE LTD

Südostasien: 36 Kaki Bukit Place, #02-01/02,

Asie du Sud-Est: Singapore 416214

Tel: [65]-6747 4600

Fax: [65]-6742 0345

China: TLV SHANGHAI CO., LTD.

China: 5/F, Building 7, No.103 Caobao Road,

Chine: Xuhui District, Shanghai, China 200233

Tel: [86]-0)21-6482-8622

Fax: [86]-0)21-6482-8623

Malaysia: TLV ENGINEERING SDN. BHD.

Malaysien: No.16, Jalan MJ14, Taman Industri Meranti Jaya,

Malaisie: 47120 Puchong, Selangor, Malaysia

Tel: [60]-3-8052-2928

Fax: [60]-3-8051-0899

Thailand: TLV PRIVATE LIMITED

Thailand: 252/94 (K-L) 17th Floor, Muang Thai-Phatra Complex Tower B,

Thaïlande: Rachadaphisek Road, Huaykwang, Bangkok 10310, Thailand

Tel: [66]-2-693-3799

Fax: [66]-2-693-3979

Korea: TLV INC.

Korea: #302-1 Bundang Technopark B, 723 Pangyo-ro,

Corée: Bundang, Seongnam, Gyeonggi, 13511, Korea

Tel: [82]-0)31-726-2105

Fax: [82]-0)31-726-2195

Middle East: TLV ENGINEERING FZCO

Naher Osten: Building 9W, B163, PO Box 371684,

Proche-Orient: Dubai Airport Free Zone, Dubai, UAE

Email: sales-me@tlv.co.jp

Other countries: TLV INTERNATIONAL, INC.

Andere Länder: 881 Nagasuna, Noguchi, Kakogawa,

Autres pays: Hyogo 675-8511, Japan

Tel: [81]-0)79-427-1818

Fax: [81]-0)79-425-1167

Manufacturer: TLV CO., LTD.

Hersteller: 881 Nagasuna, Noguchi, Kakogawa,

Fabricant: Hyogo 675-8511, Japan

Tel: [81]-0)79-427-1800

Fax: [81]-0)79-422-2277