



Manufacturer

TLV CO., LTD.
Kakogawa, Japan
is approved by LRDA Ltd. to ISO 9001/14001



Instruction Manual

High-precision Multi-control Valve for Steam

MC-COSR-3/MC-COSR-16

Actuator: MC-GA2

Manufacturer

TLV CO., LTD.

881 Nagasuna, Noguchi, Kakogawa, Hyogo, 675-8511, Japan

Tel: [81]-(0)79-422-1122 Fax: [81]-(0)79-422-0112

Copyright © 2021 by TLV CO., LTD All rights reserved

TLV CORPORATION

Contents

Introduction	1
Safety Considerations.....	2
Specifications	4
Correct Usage of the MC-COSR Multi-control Valve.....	6
Configuration	8
Installation	12
Wiring.....	18
Setting the Valve Coefficient	20
Operation	21
Inspection and Maintenance.....	23
Disassembly	24
Reassembly	29
Troubleshooting.....	30
TLV EXPRESS LIMITED WARRANTY	36

Introduction

Thank you for purchasing the TLV MC-COSR high-precision multi-control valve for steam.

This product has been thoroughly inspected before being shipped from the factory. When the product is delivered, before doing anything else, check the specifications and external appearance to make sure nothing is out of the ordinary. Also be sure to read this manual carefully before use and follow the instructions to be sure of using the product properly.

Steam-using equipment can achieve its intended efficiency only if the steam being used is very dry. Using steam in which matter such as condensate, scale, types of grease or air is entrained can not only result in problems with the steam-using equipment and in lowered productivity, but can also lead to shortened service life for and malfunction of the multi-control valves.

The TLV high-precision multi-control valve, model MC-COSR, provides accurate pressure control (MC-COSR-3, MC-COSR-16) and temperature control (MC-COSR-16) when combined with the TLV SC-F70 digital indicator controller or the SP-F70 programmable indicator controller.





If detailed instructions for special order specifications or options not contained in this manual are required, please contact TLV for full details.


This instruction manual is intended for use with the model(s) listed on the front cover. It is needed not only for installation, but also for subsequent maintenance, disassembly/reassembly and troubleshooting. Please keep it in a safe place for future reference.

Safety Considerations


- Read this section carefully before use and be sure to follow the instructions.
- Installation, inspection, maintenance, repairs, disassembly, adjustment and valve opening/closing should be carried out only by trained maintenance personnel.
- The precautions listed in this manual are designed to ensure safety and prevent equipment damage and personal injury. For situations that may occur as a result of erroneous handling, three different types of cautionary items are used to indicate the degree of urgency and the scale of potential damage and danger: DANGER, WARNING and CAUTION.
- The three types of cautionary items above are very important for safety: be sure to observe all of them as they relate to installation, use, maintenance and repair. Furthermore, TLV accepts no responsibility for any accidents or damage occurring as a result of failure to observe these precautions.

Symbols

	Indicates a DANGER, WARNING or CAUTION item.
	Indicates an urgent situation which poses a threat of death or serious injury
	Indicates that there is a potential threat of death or serious injury
	Indicates that there is a possibility of injury or equipment / product damage

	Install properly and DO NOT use this product outside the recommended operating pressure, temperature and other specification ranges. Improper use may result in such hazards as damage to the product or malfunctions that may lead to serious accidents. Local regulations may restrict the use of this product to below the conditions quoted.
	Use hoisting equipment for heavy objects (weighing approximately 20 kg (44 lb) or more). Failure to do so may result in back strain or other injury if the object should fall.
	Take measures to prevent people from coming into direct contact with product outlets. Failure to do so may result in burns or other injury from the discharge of fluids.
	When disassembling or removing the product, wait until the internal pressure equals atmospheric pressure and the surface of the product has cooled to room temperature. Disassembling or removing the product when it is hot or under pressure may lead to discharge of fluids, causing burns, other injuries or damage.

Continued on the next page

 CAUTION	<p>Be sure to use only the recommended components when repairing the product, and NEVER attempt to modify the product in any way. Failure to observe these precautions may result in damage to the product and burns or other injury due to malfunction or the discharge of fluids.</p>
	<p>Do not use excessive force when connecting threaded pipes to the product. Over-tightening may cause breakage leading to fluid discharge, which may cause burns or other injury.</p>
	<p>Use only under conditions in which no freeze-up will occur. Freezing may damage the product, leading to fluid discharge, which may cause burns or other injury.</p>
	<p>Use only under conditions in which no water hammer will occur. The impact of water hammer may damage the product, leading to fluid discharge, which may cause burns or other injury.</p>

Specifications

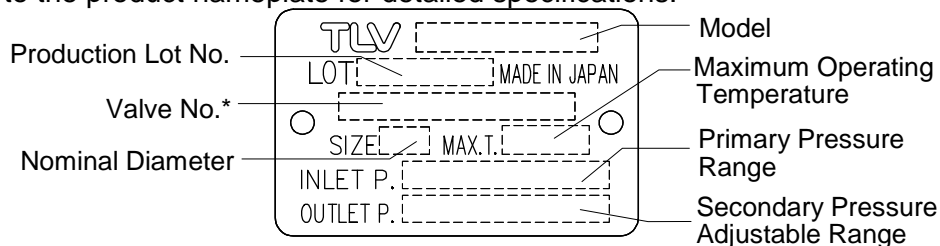


Install properly and **DO NOT** use this product outside the recommended operating pressure, temperature and other specification ranges. Improper use may result in such hazards as damage to the product or malfunctions which may lead to serious accidents. Local regulations may restrict the use of this product to below the conditions quoted.



Use only under conditions in which no freeze-up will occur. Freezing may damage the product, leading to fluid discharge, which may cause burns or other injury.

Refer to the product nameplate for detailed specifications.



* Valve No. is displayed for products with options. This item is omitted from the nameplate when there are no options.

Actuator Specifications

	Actuator Model	MC-GA2
Power Source	Power Source Voltage	Free between 100 and 240 V AC (50/60 Hz)
	Power Consumption	With motor running: 75 VA max.
	Insulation Resistance	500 V DC, 100 MΩ min. between the power source terminal and ground terminal
	Withstand Voltage	Between the power source terminal and ground terminal: 1500 V AC, 1 min. or 1800 V AC, 1 second
Operation	Drive System	Positional control by DC brushless motor
	Operation Input (Valve Opening)	4 – 20 mA DC (input impedance 250 Ω)
	Emergency Action	Valve fully closed by an operation signal interruption. When input power is cutoff: held at position just before power cutoff
	Time Rating	Continuous
	Thermal Protection	Built-in overcurrent protection circuit
	Time Required to Fully Open/Close	Fully closed → fully open: Approx. 15 seconds
	Manual Operation	Possible with the power OFF
Environment	Allowable Ambient Temperature Range	0 to 50 °C (32 to 122 °F)
	Allowable Ambient Humidity	10% to 90% RH (without dew)
	Allowable altitude	2000m (6600 ft) max.
	Vibration Resistance	0.5 G max.
	Water Resistance	Rain resistant (equivalent to IP54)
	Material	Motor cover: Aluminum Main mounting plate: FC25 (cast iron)

CV Value

Size	(mm)	15	20	25	32	40	50	65	80	100	125	150
	(in)	(1/2)	(3/4)	(1)	(1 1/4)	(1 1/2)	(2)	(2 1/2)	(3)	(4)	(5)	(6)
Cv	(US)	3.8	6.9	11.1	15.5	24.0	37.2	59.3	85.0	128	180	275
Cv	(UK)	3.2	5.7	9.2	12.9	20.0	31.0	49.4	70.8	107	150	229
Kvs	(DIN)	3.3	5.9	9.5	13.3	20.6	31.9	50.8	72.9	110	154	236

Acceptable Operating Range

Model	MC-COSR-3	MC-COSR-16
Primary Pressure Range	0.1 to 0.3 MPaG (15 to 45 psig)	0.2 to 1.6 MPaG (30 – 250 psig)
Secondary Pressure Adjustable Range (All conditions must be met)	0.01 to 0.05 MPaG (1.5 to 7 psig)	Within 10 to 84% of the primary pressure (Minimum adjustable pressure of 0.03 MPaG (5 psig)) Allowable pressure differential between 0.07 to 0.85 MPa (10 to 120 psi)
Minimum Adjustable Flow Rate	5% or greater of rated flow rate	5% or greater of rated flow rate NOTE: 10% or greater of rated flow rate for sizes 65 to 150 mm (2 1/2 to 6 in)

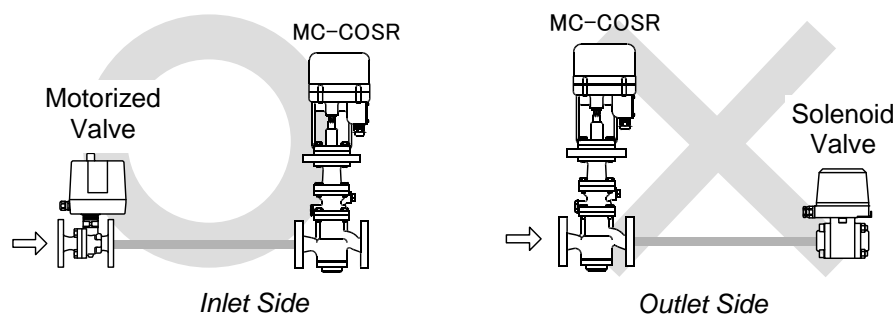
(1 MPa = 10.197 kg/cm²)

Correct Usage of the MC-COSR Multi-control Valve



Install properly and **DO NOT** use this product outside the recommended operating pressure, temperature and other specification ranges. Improper use may result in such hazards as damage to the product or malfunctions which may lead to serious accidents. Local regulations may restrict the use of this product to below the conditions quoted.

1. The MC-COSR should be operated only within its specifications.
2. Installing an ON/OFF Valve (Solenoid Valve or Motorized Valve)

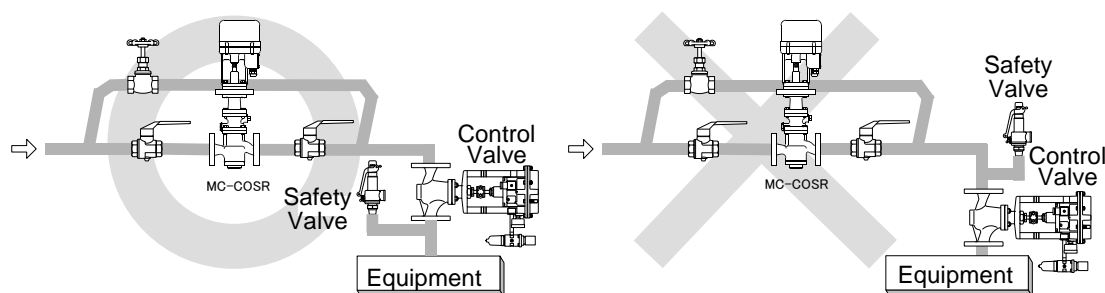


If an on-off valve, such as a motorized valve, is required to stop supply of steam to the steam-using equipment, install it at the inlet side of the MC-COSR. If a solenoid valve is installed at the outlet of the reducing valve, its opening and closing will cause heavy chattering and may lead to damage of the piston and main valve. (When the on-off valve opens, the secondary pressure of the multi-control valve changes from zero to the set pressure, passing through an area of the reducing ratio of less than 10:1, where adjustment is impossible, chattering occurs momentarily.)

To save energy, install the on-off valve as near to the boiler as possible.

Note: To prevent water hammer, it is recommended that a slow-acting motorized on-off valve be used. In particular, if a fast-acting on-off solenoid valve is used for frequent temperature control, the potential water hammer effect can damage the steam equipment and the multi-control valve.

3. Installing a Control Valve



A control valve (i.e. for temperature control) installed between the MC-COSR and the steam equipment (downstream of the MC-COSR) may raise the pressure between the MC-COSR and the control valve when the control valve is closed, depending on their spatial relationship. Therefore, the control valve should be installed close to the steam equipment. Also, a safety valve should be installed downstream of the control valve.

Note: When installing a safety valve to protect the steam equipment, be sure to install it on the steam equipment or directly before the inlet of the steam equipment. If the safety valve is installed between the MC-COSR and a control valve, an eventual pressure rise could activate the safety valve.

4. Recommended Straight Pipe Runs

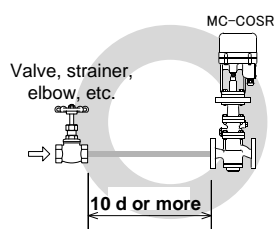
In order to ensure stable steam flow, the piping upstream and downstream of the multi-control valve must be straight runs. If a multi-control valve is installed either directly before or after an elbow or control valve, unevenness in steam flow may result in chattering and unstable pressure.

To ensure stable steam flow, it is recommended that the multi-control valve be installed on straight runs of piping, as illustrated below.

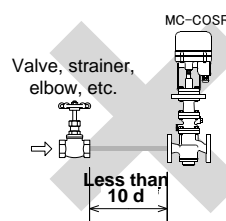
① Inlet (primary side) of the multi-control valve

Maintain a straight piping run of **10 d or more** when a manual valve, a strainer or an elbow, etc. is installed.

(Example: if nominal size is 25 mm (1 in), have 250 mm (10 in) or more)

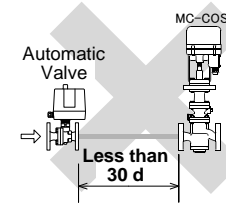
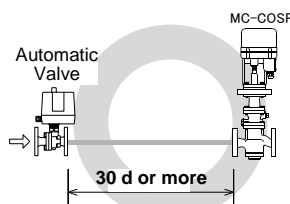


Note: d = pipe diameter



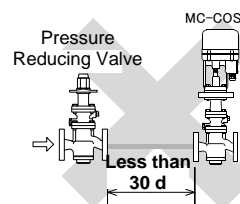
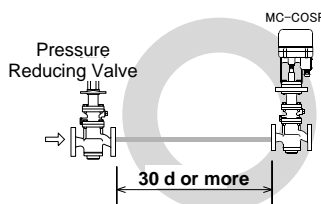
Maintain a straight piping run of **30 d or more** when an automated valve (on-off valve) is installed.

(Example: if nominal size is 25 mm (1 in), have 750 mm (30 in) or more)



Maintain a straight piping run of **30 d or more** when another pressure reducing valve is installed. (Two-stage pressure reduction)

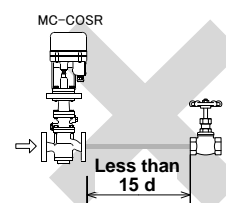
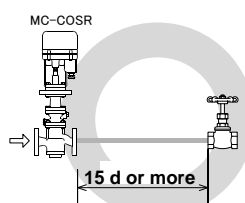
(Example: if nominal size is 25 mm (1 in), have 750 mm (30 in) or more)



② Outlet (secondary side) of the multi-control valve

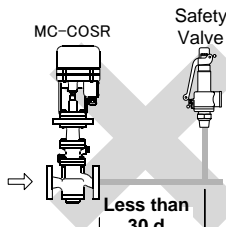
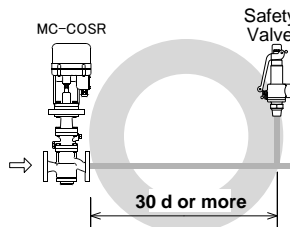
Maintain a straight piping run of **15 d or more** when a manual valve, a strainer or an elbow, etc. is installed.

(Example: if nominal size is 25 mm (1 in), have 375 mm (15 in) or more)



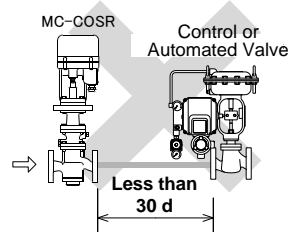
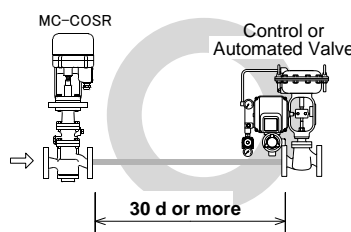
Maintain a straight piping run of **30 d or more** when a safety valve is installed.

(Example: if nominal size is 25 mm (1 in), have 750 mm (30 in) or more)



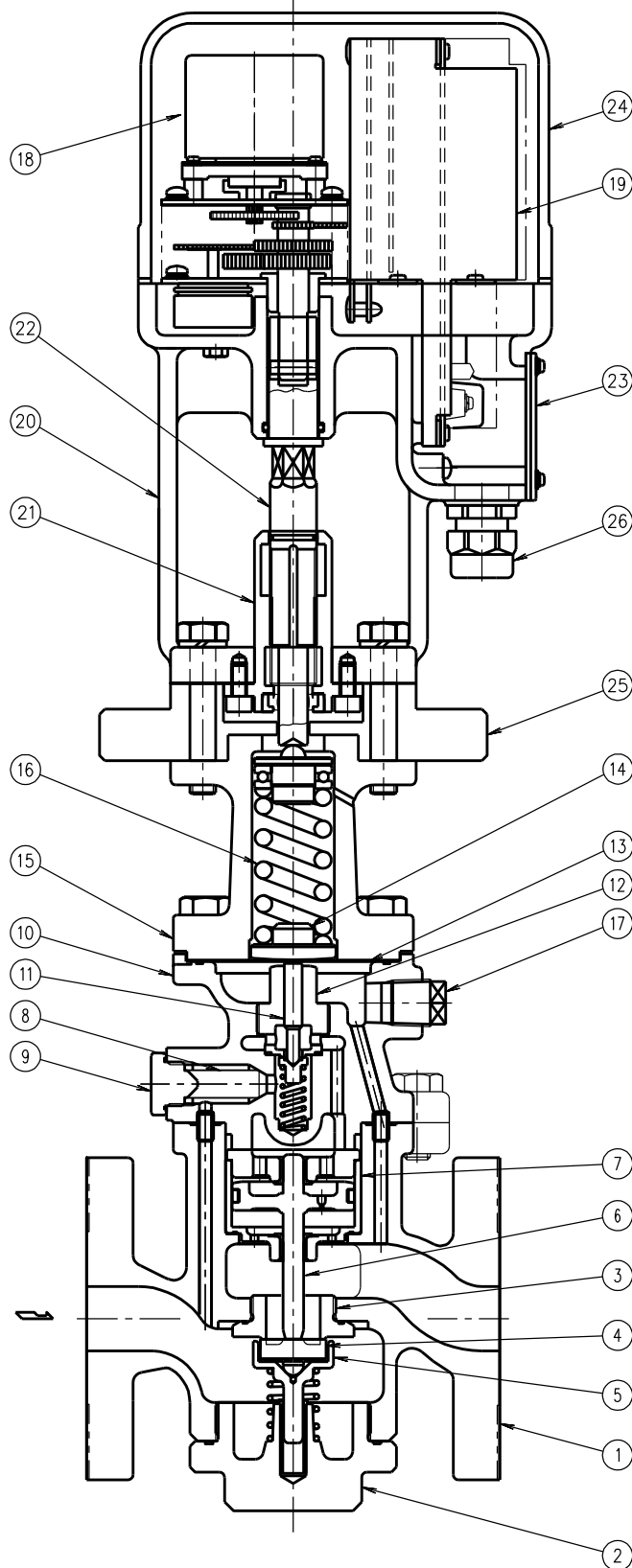
Maintain a straight piping run of **30 d or more** when a control valve or an automated valve (on-off valve) is installed.

(Example: if nominal size is 25 mm (1 in), have 750 mm (30 in) or more)

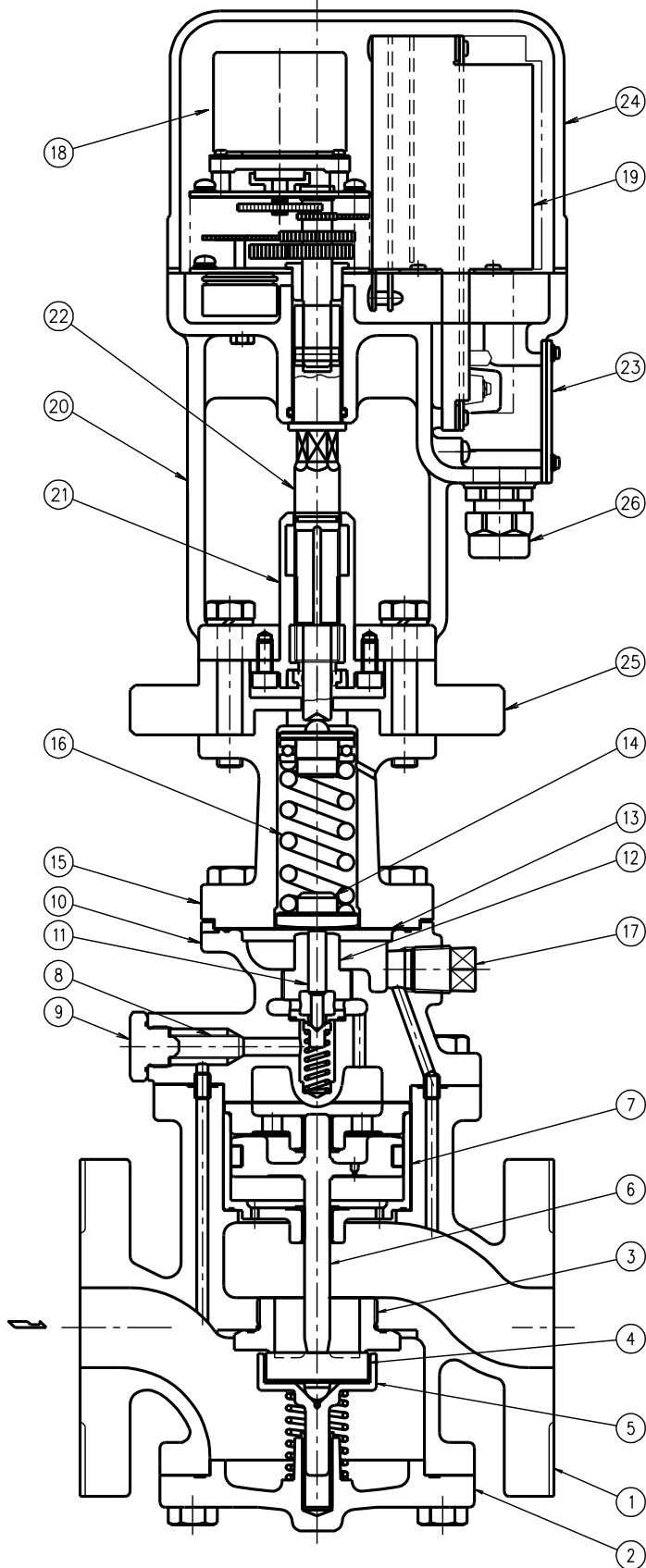


Configuration

15 – 25 mm (1/2 – 1 in)

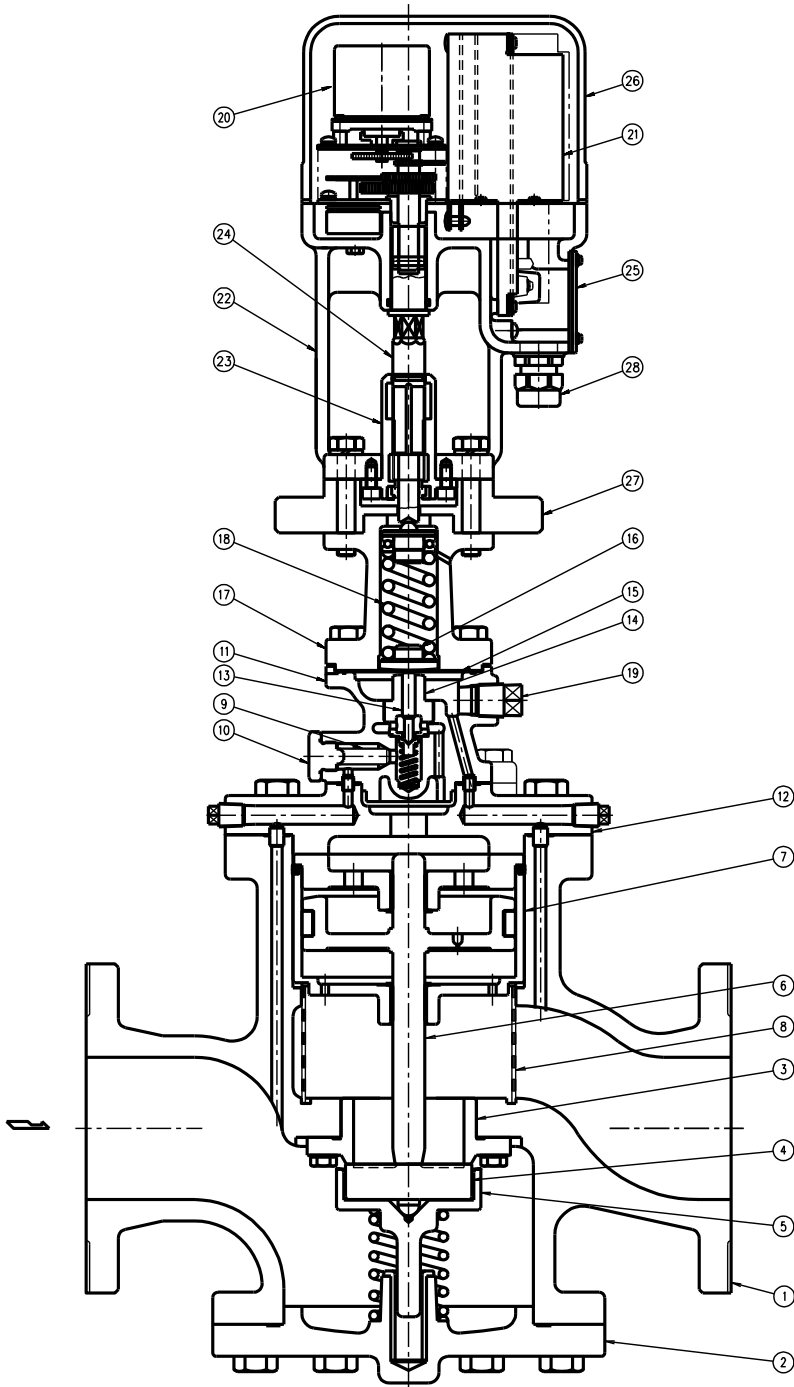


No.	Name
1	Main Body
2	(Main Body) Plug
3	Main Valve Seat
4	Main Valve
5	Main Valve Holder
6	Piston
7	Cylinder
8	Pilot Screen
9	Pilot Screen Holder
10	Pilot Body
11	Pilot Valve Stem
12	Pilot Valve Seat
13	Diaphragm
14	Diaphragm Support
15	Spring Housing
16	Coil Spring
17	Plug – Sensing Line Port
18	Motor Unit
19	Drive Unit
20	Mounting Plate
21	Adjustment Screw Guide
22	Adjustment Screw
23	Terminal Block Cover
24	Motor Cover
25	Insulation Plate
26	Cable Lock

32 – 50 mm (1¹/₄ – 2 in)

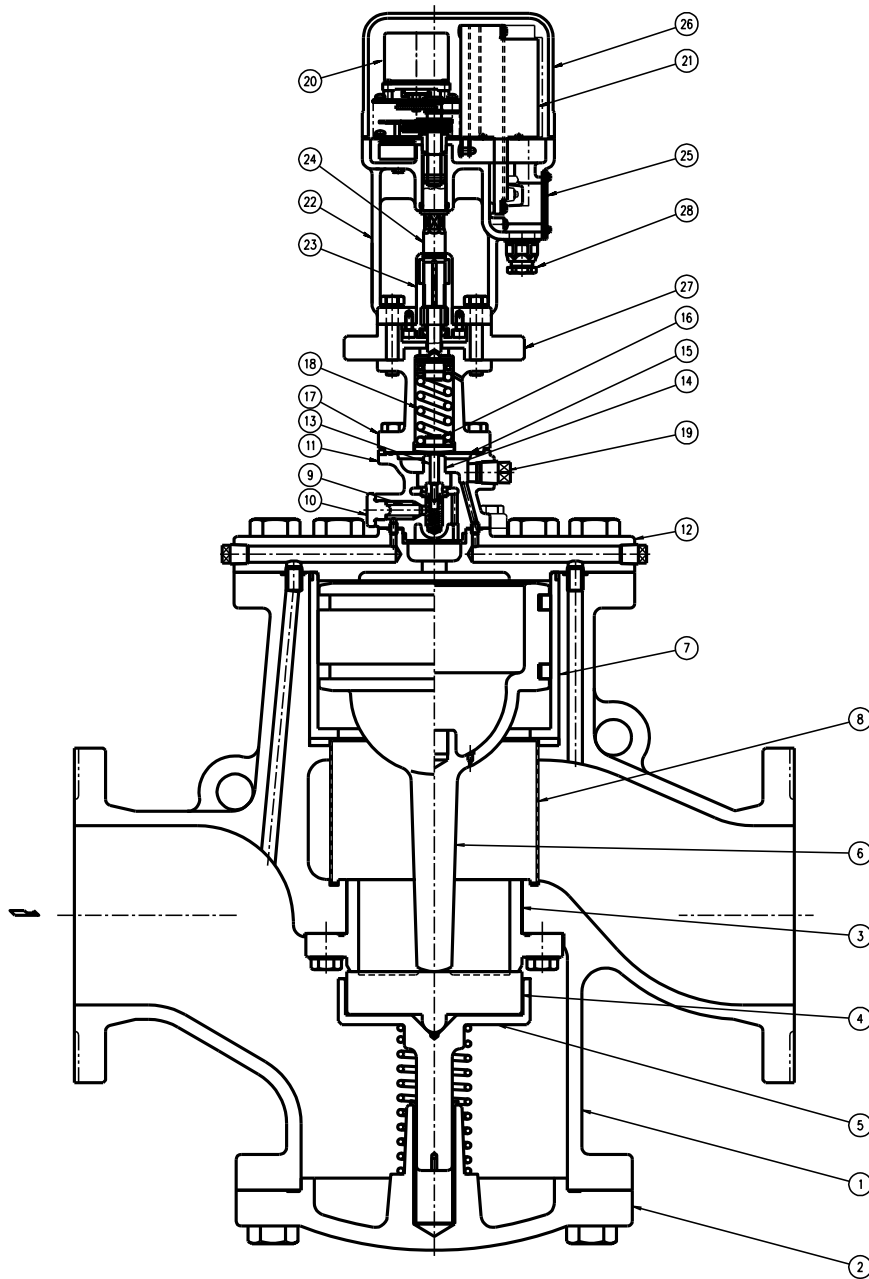
No.	Name
1	Main Body
2	(Main Body) Cover
3	Main Valve Seat
4	Main Valve
5	Main Valve Holder
6	Piston
7	Cylinder
8	Pilot Screen
9	Pilot Screen Holder
10	Pilot Body
11	Pilot Valve Stem
12	Pilot Valve Seat
13	Diaphragm
14	Diaphragm Support
15	Spring Housing
16	Coil Spring
17	Plug – Sensing Line Port
18	Motor Unit
19	Drive Unit
20	Mounting Plate
21	Adjustment Screw Guide
22	Adjustment Screw
23	Terminal Block Cover
24	Motor Cover
25	Insulation Plate
26	Cable Lock

65 – 125 mm (2½ – 5 in)



No.	Name
1	Main Body
2	(Main Body) Cover
3	Main Valve Seat
4	Main Valve
5	Main Valve Holder
6	Piston
7	Cylinder
8	Silencer
9	Pilot Screen
10	Pilot Screen Holder
11	Pilot Body
12	Pilot Cover
13	Pilot Valve Stem
14	Pilot Valve Seat
15	Diaphragm
16	Diaphragm Support
17	Spring Housing
18	Coil Spring
19	Plug – Sensing Line Port
20	Motor Unit
21	Drive Unit
22	Mounting Plate
23	Adjustment Screw Guide
24	Adjustment Screw
25	Terminal Block Cover
26	Motor Cover
27	Insulation Plate
28	Cable Lock

150 mm (6 in)



No.	Name	No.	Name	No.	Name
1	Main Body	11	Pilot Body	21	Drive Unit
2	(Main Body) Cover	12	Pilot Cover	22	Mounting Plate
3	Main Valve Seat	13	Pilot Valve Stem	23	Adjustment Screw Guide
4	Main Valve	14	Pilot Valve Seat	24	Adjustment Screw
5	Main Valve Holder	15	Diaphragm	25	Terminal Block Cover
6	Piston	16	Diaphragm Support	26	Motor Cover
7	Cylinder	17	Spring Housing	27	Insulation Plate
8	Silencer	18	Coil Spring	28	Cable Lock
9	Pilot Screen	19	Plug – Sensing Line Port		
10	Pilot Screen Holder	20	Motor Unit		

Installation



Install properly and **DO NOT** use this product outside the recommended operating pressure, temperature and other specification ranges. Improper use may result in such hazards as damage to the product or malfunctions which may lead to serious accidents. Local regulations may restrict the use of this product to below the conditions quoted.



Use hoisting equipment for heavy objects (weighing approximately 20 kg (44 lb) or more). Failure to do so may result in back strain or other injury if the object should fall.



Take measures to prevent people from coming into direct contact with product outlets. Failure to do so may result in burns or other injury from the discharge of fluids.

Installation, inspection, maintenance, repairs, disassembly, adjustment and valve opening/closing should be carried out only by trained maintenance personnel.

Installation Environment

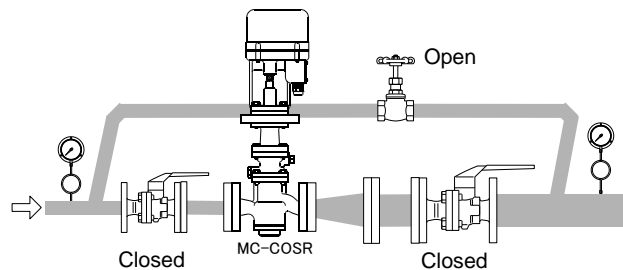
Avoid installation in the following types of environments:

- Locations with ambient temperatures above 50 °C (122 °F) or below 0 °C (32 °F)
- Locations with ambient humidity above 90% RH and below 10% RH
- Locations where corrosive gas is generated
- Locations with heavy vibration or shock
- Locations with high inductive interference or other factors that would have a harmful effect on electrical circuitry

1. Blowdown

Before installing the MC-COSR, be sure to blow down all piping thoroughly. If this is not possible, perform a blowdown using the bypass valve.

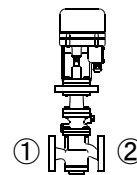
Blowdown is especially important for newly installed piping or after the system has been shut down for a long period of time.



Blowdown with the Bypass Valve

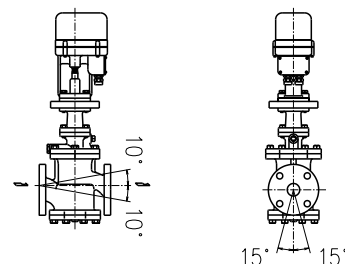
2. Removing Seal and Cap

Before installation, be sure to remove all protective seals and caps covering the product inlet and outlets. (Found in 2 locations.)



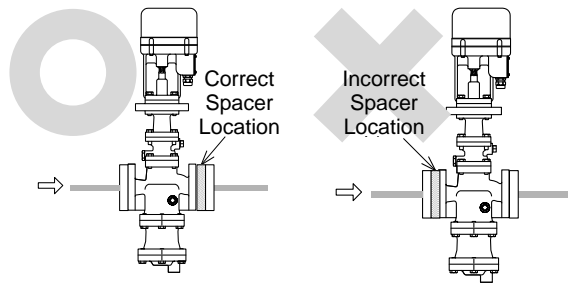
3. Installation Angle

Install the MC-COSR vertically, so that the arrow mark on the body points horizontally in the direction of steam flow. Allowable inclination is 10 degrees in the fore-aft direction and 15 degrees side to side in the plane perpendicular to the steam flow line.



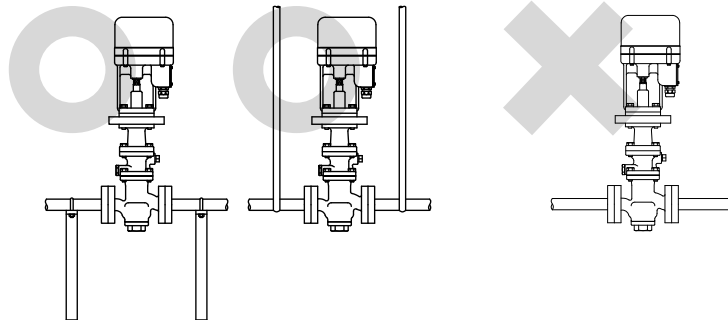
4. Spacer Installation

If spacing adjustment is necessary to accommodate installation, install a spacer on the outlet flange. The spacer should consist of a spacer, gaskets, bolts and nuts. Fit gaskets to both sides of the spacer between the MC-COSR outlet and the pipe flange. Fasten with bolts and nuts.



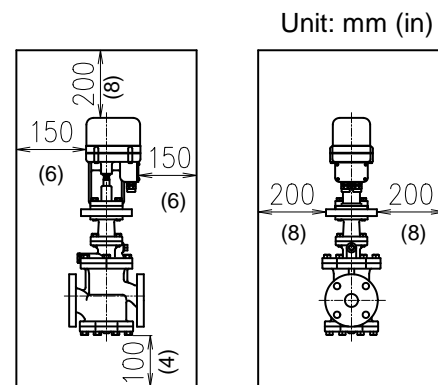
5. Piping Support

Install the MC-COSR, paying attention to avoid excessive load, bending and vibration. Support the inlet and outlet pipes securely.



6. Maintenance Space

Leave sufficient space for maintenance, inspection and repair.

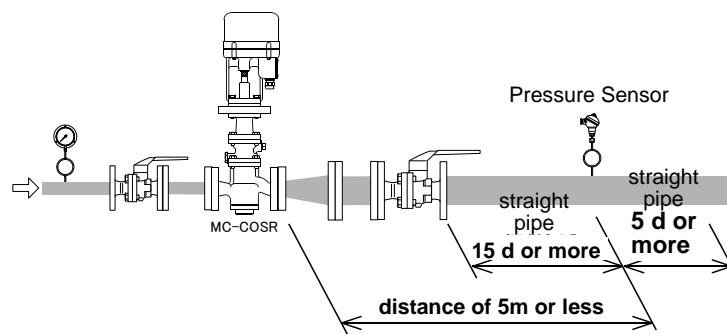


7. Pressure

(for pressure control)

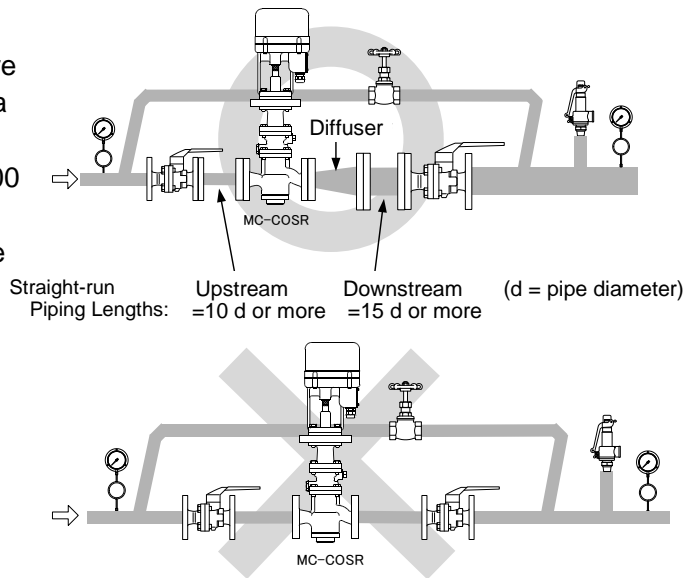
The length of piping between the MC-COSR and pressure sensor should be no more than 5 m (17 ft). If the piping distance is too great,

pressure loss and delay of pressure change along this distance will increase, resulting in steam flowrate fluctuations. Steam fluctuations at the pressure sensor may impair the stability of the pressure control. Ensure a straight piping run of at least 15 d upstream and 5 d downstream from the pressure sensor.



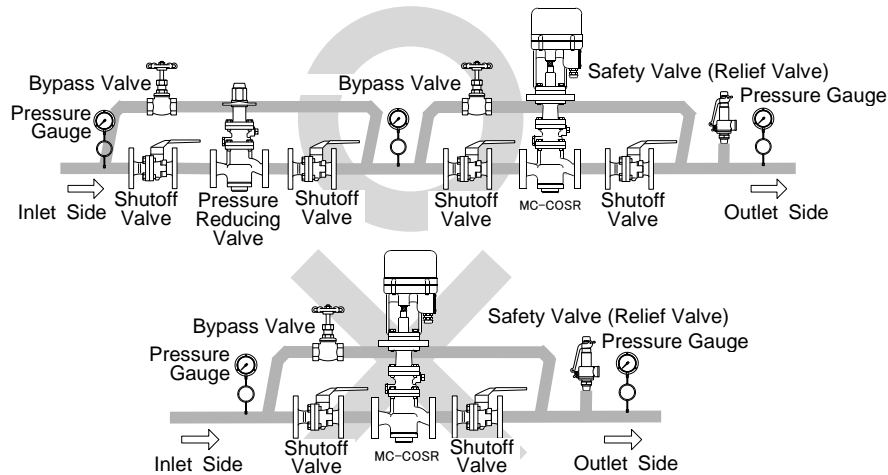
8. Piping Size / Diffuser

If the secondary steam flow velocity is expected to be more than 30 m/s (100 ft/s), install a diffuser in order to keep the flow velocity below 30 m/s (100 ft/s). If the distance between the multi-control valve and the steam equipment is great, a possible drop in pressure should be taken into consideration when selecting the piping size.



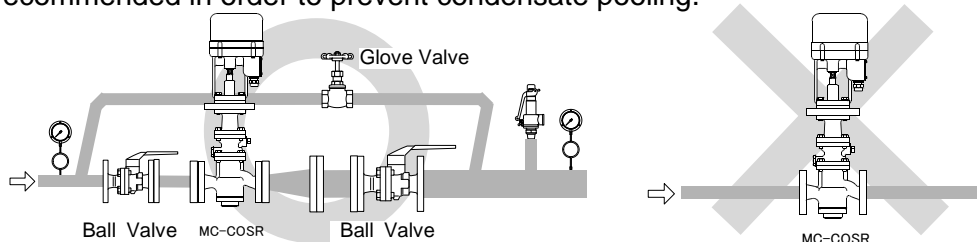
9. Two-stage Pressure Reduction

Install a pressure reducing valve at the inlet side of MC-COSR whenever the pressure cannot be reduced to the desired level with a single multi-control valve due to operating range limitations, such as when the reduction ratio is greater than 10:1.



10. Accessories

Always install a shut-off valve, pressure gauge and bypass lines at both inlet and outlet. Ball valves, which will not retain condensate, are recommended for inlet and outlet shut-off valves. The bypass pipe should be at least 1/2 of the size of the inlet (primary side) pipe. If installing a strainer before the multi-control valve, horizontal installation with the basket in the same horizontal plane to the piping is recommended in order to prevent condensate pooling.



11. External secondary pressure-sensing line (when required)

North American Models are factory prepared for external sensing.

An external sensing line **MUST** be installed.

DO NOT SUPPLY STEAM until all piping and a 10 mm ($\frac{3}{8}$ in) secondary pressure sensing line with a slightly falling pitch have been properly installed.

Install a shutoff valve in the pressure sensing line for maintenance purposes.



Keep the shutoff valve open at all times during operation. If the shutoff valve is closed, MC-COSR will fully open and PRIMARY PRESSURE WILL BE SUPPLIED TO THE EQUIPMENT (see "Piping Example" on next page).

Non-North American Models

Factory-standard MC-COSR employs an internal secondary pressure-sensing channel built into the body, saving the need to install an external pressure-sensing line to detect the secondary pressure.

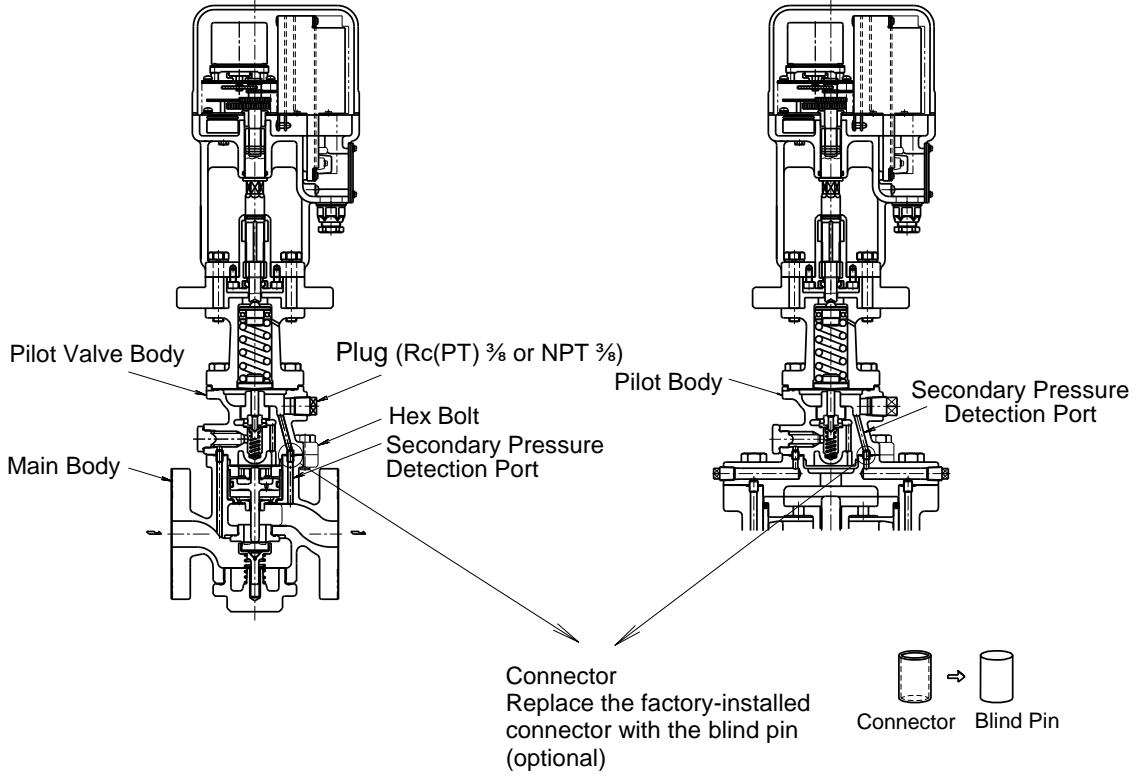
Installation of an external secondary pressure-sensing line involves closing the internal pressure-sensing channel and installing a line from the sensing line port to the point where pressure should be controlled. This can increase stability of pressure control where steam loss in secondary piping and flowrate fluctuation is high. In addition, the rated flowrate will be greater than an internal pressure-sensing channel under the operational pressure reduction ratio of 2:1 or more.

Installation procedure

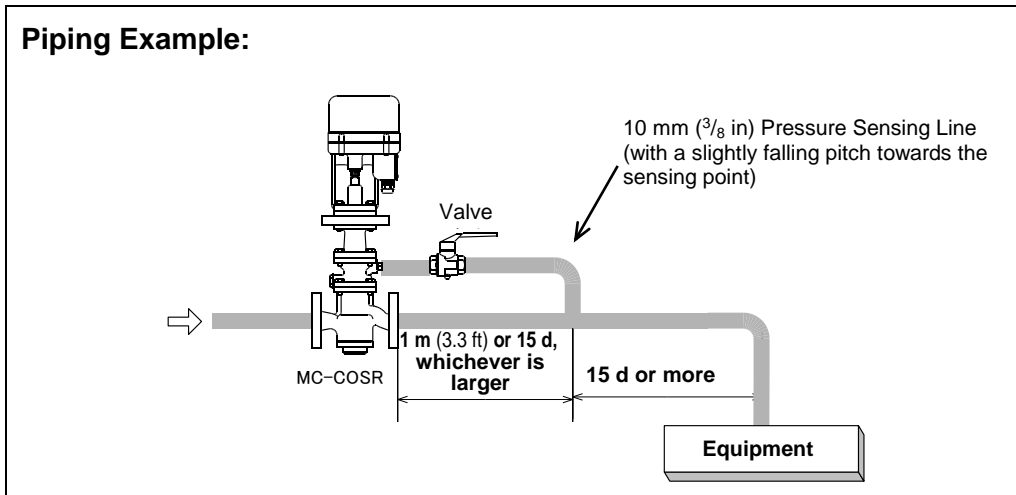
- 1) Loosen and remove the bolts that attach the pilot body to the main body (15 – 50 mm ($\frac{1}{2}$ – 2 in)) or the pilot cover (65 – 150 mm ($2\frac{1}{2}$ – 6 in)) and remove the pilot body.
- 2) Install the blind pin (optional) by first removing the connector from the main body or pilot cover and then substituting the blind pin.
- 3) Re-install the pilot body and fasten the bolts evenly to the proper torque (see Reassembly, page 29).
- 4) Remove the plug Rc(PT) $\frac{3}{8}$ or NPT $\frac{3}{8}$ and connect the secondary pressure sensing line.
- 5) Install the secondary pressure sensing line with a slightly falling pitch. The end of the secondary pressure sensing line should be connected to the place on the main piping where the pressure is to be sensed (see the piping example on the next page). A shut-off valve and union should be installed in the secondary pressure sensing line.

15 – 50 mm (1/2 – 2 in)

65 – 150 mm (2 1/2 – 6 in)



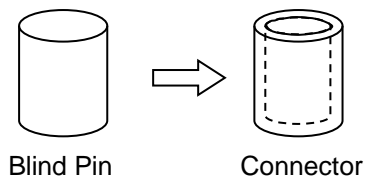
Piping Example:



12. Internal sensing for North American models

All models except North American models are factory prepared for internal sensing. When internal pressure sensing is required for North American models, please contact the nearest TLV representative to request both a connector, which must be installed in place of the blind pin, and a threaded secondary pressure sensing plug.* Follow the connector installation procedure shown below:

- 1) Loosen and remove the four (4) bolts that attach the pilot body to the main body (15 – 50 mm ($1/2$ – 2 in)) or the pilot cover (65 – 150 mm ($2\frac{1}{2}$ – 6 in)), and remove the pilot valve body.
- 2) Install the connector by first removing the blind pin from the secondary side of the main body or pilot cover and then substituting the connector.



- 3) Re-install the pilot body and fasten the four (4) bolts evenly.
Consult page 30 in this manual for torque requirements of these bolts.
- 4) If a secondary pressure sensing pipe has previously been installed, remove it and be certain to install the threaded secondary pressure sensing line plug in its place.

*Internal sensing should not be used when 15 mm ($1/2$ in) and 20 mm ($3/4$ in) MC-COS-16 will be used below 0.3 MPaG (45 psig) and 0.1 MPaG (15 psig) respectively, and below 50% of primary pressure.

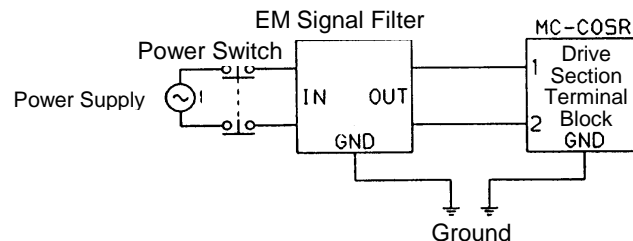
Wiring

Wiring Notes

Background electromagnetic noise that has no effect on analog equipment may cause digital equipment to malfunction or fail. To prevent adverse effects from electro-magnetic (EM) interference, carefully follow the wiring instructions below:

1. Power Source

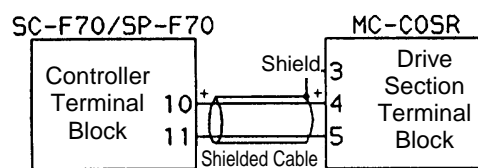
- 1) If there is EM noise from the power source, a filter should be used. To prevent interference, do not bundle the EM filter's power source input and output lines together.
- 2) Although there is a built-in fuse in the controller, there is no power switch. It is required that a power switch be installed on an external circuit near the main unit. Do not install a power switch between the EM filter and the valve, as this will reduce the effectiveness of the filter.



- 3) A power cable is not included with the unit. See "Wiring Instructions".
- 4) Install an overcurrent protection device on the power supply lines (both poles) to prevent overcurrent.
Recommended rating of the device: 250V/2A, Delay type

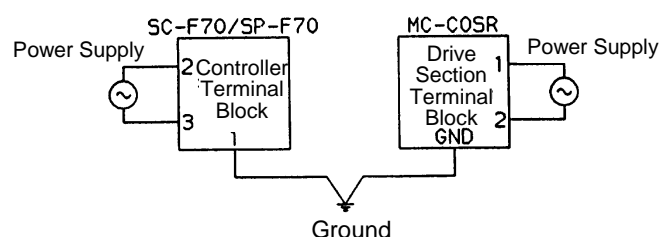
2. Input/Output Signal Lines for Valve Operation

- 1) Use shielded cables for the I/O signal lines.
Connect the shielded cables to the receiver's shield terminal.
- 2) Separate the I/O signal cables from power cables, drive cables, and EM noise-generating equipment. Do not insert I/O signal cables in common piping or ducts with aforementioned cables.



3. Ground

- 1) Be sure to ground the MC-COSR and the controller.
- 2) Use a one-point ground at the same point as the ground for the controller to be used with the valve. Do not use extension wiring. Failure to ground the valve as specified may cause it to malfunction.
- 3) For the ground terminal, use a flexible copper wire, at least 2 mm² (0.003 in²). Ground with a ground resistance of 100 Ω or less (Class 3 ground).



Wiring Instructions

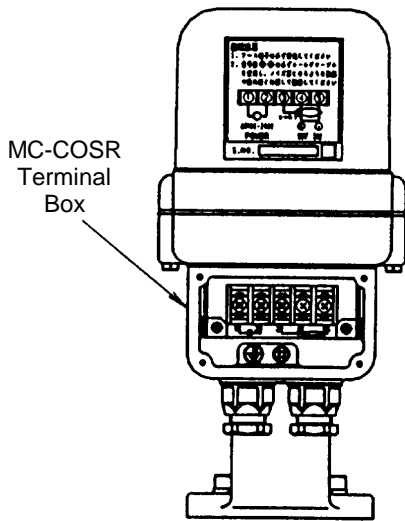


Make sure the power supply switch is OFF before carrying out work on the wiring or inspections involving disassembly. If such work is carried out with the power on, there is a danger that equipment may malfunction or electric shock may occur, leading to injury or other accidents.

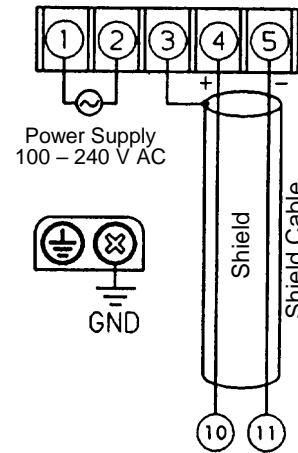


Make sure that wiring work requiring a special license is carried out by qualified personnel. If carried out by unqualified personnel, overheating or short circuits leading to injury, fires, damage or other accidents may occur.

Drive Section Terminal Box

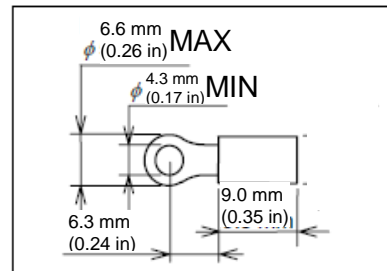


Drive Section Terminal Block



Controller Terminal Block
SC-F70/5P-F70

When making a connection to the terminal block, use crimp-style jacks (for M4) with insulation sleeves.



Recommended Cable Specifications

	Actuator Terminal No.	Cable Specifications		
		Minimum Cross Section mm ² (in ²)	Maximum Wire Gauge No. (AWG)*	Cable Type
Power Source	1, 2	1.25 (0.002)	16	Cabtyre cable
GND	⊕	2.00 (0.003)	14	
Valve Operation Signals	3 (shield), 4 (+), 5 (-)	0.75 (0.001)	18	2 conductor shielded cable

* (American Wire Gauge)

Setting the Valve Coefficient

About the Valve Coefficient

1. Features of the MC-COSR

The MC-COSR valve has a pressure self-adjustment function with the following features:

- 1) Maintains the secondary steam pressure at a stable level even when the primary steam pressure and secondary steam flow fluctuate.
- 2) Maintains the interrelationship between the secondary steam pressure and the stroke position of the pressure adjustment screw determined by the drive section.

2. What is the valve coefficient?

The valve coefficient expresses the relationship between the secondary steam pressure and the stroke position of the pressure adjustment screw on the MC-COSR. There are five different valve coefficients; labeled A through E. Valve coefficients are derived by TLV for each valve through tests before shipment from the factory. They are stamped on the valve coefficient nameplate label attached to the valve and a removable label to be utilized for putting the valve coefficients into the controller.

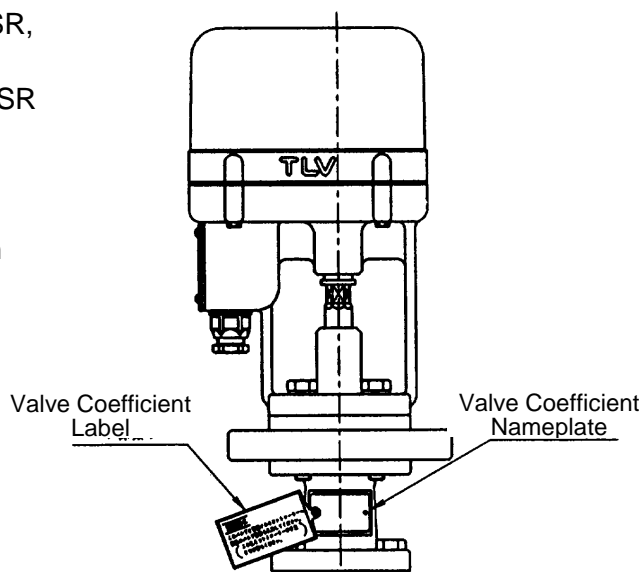
Combining the MC-COSR and the TLV SC-F70 or SP-F70 Controller

The SC-F70 digital indicator controller and SP-F70 programmable indicator controller made by TLV use proprietary control algorithms designed to take full advantage of MC-COSR's potential. Examples include MC-COSR's high stability, resistance to external disturbances and its precise response to setting changes. Combining the MC-COSR with these controllers provides a level of control not possible with other conventional control valves and PID controllers.

Setting the Valve Coefficient

In order to fully utilize the MC-COSR, be sure to provide the SC-F70 or SP-F70 controller with the MC-COSR valve coefficient.

Failure to do so will make AUTO mode operation impossible and an error message will be displayed on the controller.



Operation



When using this product, NEVER stand close to, or leave tools anywhere near moving parts, such as the adjustment screw. Contact with moving parts or objects becoming caught in moving parts could lead to injury or damage or other accidents.

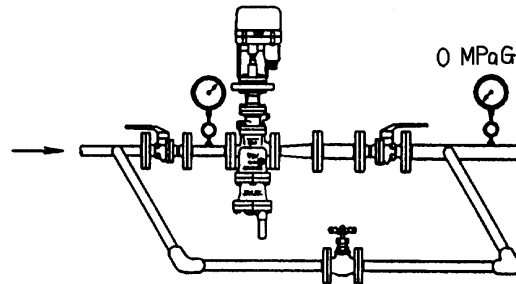
Procedure

1. Operational check

- 1) Before turning ON the power, check to make sure all cable connections are correct.
- 2) To close the valve, send an operation signal value of 0% (4 mA) or less from the controller to MC-COSR and maintain that value.

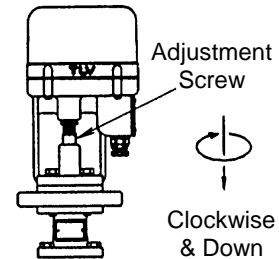
- 3) Turn ON the power to the actuator.

- 4) The MC-COSR valve should be closed.
 - Check to make sure no steam is flowing to the secondary side.
 - Check to see whether there is a slight back and forth motion of the pressure adjustment screw. If there is, this may be due to EM interference.



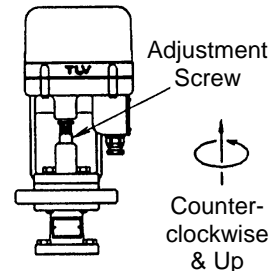
- 5) On the controller, increase the value of the operation signal to the MC-COSR.

- Check to make sure that, when viewed from above, the adjustment screw in the drive section is rotating clockwise while moving downward.
- Check to make sure that steam begins to flow to the secondary side of the MC-COSR and the secondary steam pressure rises.



- 6) At the same time, begin reducing the value of the operation signal to the MC-COSR on the controller.

- Check to make sure that, when viewed from above, the adjustment screw in the drive section is rotating counter-clockwise while moving upward.
- Check to make sure that the steam pressure on the MC-COSR secondary side decreases.



- 7) In the event that an abnormality is detected in operation when checking with the above procedure, consult the Troubleshooting chapter in this manual and take the appropriate remedial steps.

2. AUTO operation

Enter target settings and other necessary parameters into the controller and start AUTO operation. The drive section of the MC-COSR will begin operating automatically in response to the operation signals from the controller.

In the Event of a Power Outage



CAUTION Make sure the power supply switch is OFF before carrying out work on the wiring or inspections involving disassembly. If such work is carried out with the power on, there is a danger that equipment may malfunction or electric shock may occur, leading to injury or other accidents.

1. When the power to the drive section has been cut off:

The drive section will stop at the position it was at just before the power was cut off. As a result, the pressure of the steam supplied to the equipment will be maintained at the pressure just before the power went off.

If the supply of steam needs to be stopped during a power outage, install an ON-OFF valve on the primary side of the MC-COSR.

2. When only the operation signal to the actuator has been cut off:

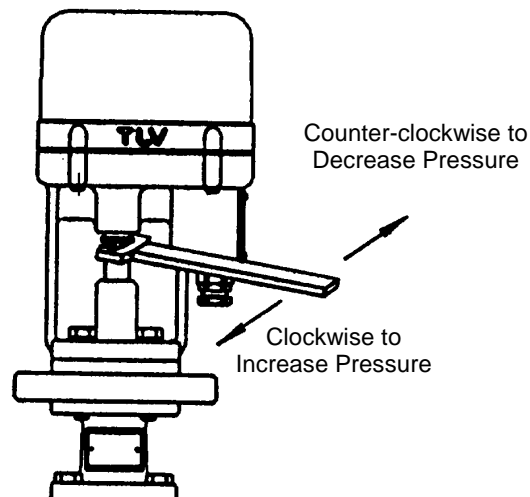
The actuator will rotate counter-clockwise to raise the adjustment screw to the 0% or lower position. As a result, the multi-control valve will close, cutting off the supply of steam to the secondary side.

3. When power is restored:

The adjustment screw will return to the position specified by the operation signals from the controller.

Manual Operation

- 1) Before beginning manual operation, turn OFF the power to the drive section.
- 2) Using a wrench as shown in the figure below, slowly turn the adjustment screw. Be careful not to apply too much force. (A torque of about 7 N·m (5 lbf·ft) will be required to turn the adjustment screw with the wrench.)
- 3) Turning the adjustment screw clockwise when viewed from above will INCREASE the secondary steam pressure.
- 4) Turning the pressure adjustment screw counter-clockwise when viewed from above will DECREASE the secondary steam pressure.



Inspection and Maintenance



Take measures to prevent people from coming into direct contact with product outlets. Failure to do so may result in burns or other injury from the discharge of fluids.



Be sure to use only the recommended components when repairing the product, and NEVER attempt to modify the product in any way. Failure to observe these precautions may result in damage to the product or burns or other injury due to malfunction or the discharge of fluids.



Make sure the external power supply switch is OFF before carrying out work on the wiring or inspections involving disassembly. If such work is carried out with the power on, there is a danger that equipment may malfunction or electric shock may occur, leading to injury or other accidents.

Operational Check

To ensure long service life of the MC-COSR, the following inspection and maintenance should be performed regularly.

Part	Inspection and Maintenance Frequency
Screens (Pilot)	Disassemble and clean annually. If there is substantial blockage, install a strainer (60 mesh or finer) ahead of the MC-COSR.
Main Valve, Main Valve Seat, Pilot Valve and Pilot Valve Seat	Replace after approximately 15,000 hours. If there is chattering or dirt, premature wear may result.
Piston Ring	Replace after approximately 8,000 hours. If there is chattering or if scale build-up is severe, premature wear may result.
Piston	Replace after approximately 30,000 hours. If hunting or chattering takes place, premature wear may result.
Diaphragm	Replace after approximately 30,000 hours. If hunting or chattering takes place, cracks or fatigue may develop in a short period of time.
Bearing (in spring housing)	Replace after approximately 8,000 hours. If the ambient temperature is high, premature wear may result.

Disassembly



Use hoisting equipment for heavy objects (weighing approximately 20 kg (44 lb) or more). Failure to do so may result in back strain or other injury if the object should fall.



When disassembling or removing the product, wait until the internal pressure equals atmospheric pressure and the surface of the product has cooled to room temperature. Disassembling or removing the product when it is hot or under pressure may lead to discharge of fluids, causing burns, other injuries or damage.

It is a recommended practice to dismantle and inspect the MC-COSR once a year for preventive maintenance purposes. It is especially important to do so immediately after the initial run of a new line or before or after equipment such as a heater is out of service for a long period of time.

(Installation, inspection, maintenance, repairs, disassembly, adjustment and valve opening/closing should be carried out only by trained maintenance personnel.)

Before Disassembly

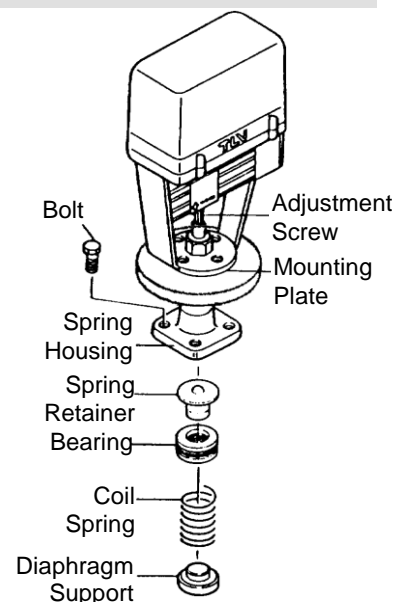
Remove all steam from the piping (both upstream and downstream). Set the value of the valve operation signal from the controller to the MC-COSR to 0% (4mA) or less. The drive section will operate in response to the valve operation signal, with the adjustment screw moving counterclockwise and up to close the valve. Wait for the body to cool before attempting to remove the MC-COSR from the line. Turn OFF the power to both the drive section and the valve operation signal (controller) and disconnect the cables. Then remove inlet and outlet flange retaining bolts and nuts to permit removal of the MC-COSR. Secure the MC-COSR in a vise to perform the inspection.

Disassembling the Adjustment Section

Loosen the adjustment screw completely and remove the bolts from the spring housing. Grasp the mounting plate and lift the spring housing straight up and off. Having removed the spring housing, you will see the diaphragm retainer, coil spring, bearing and spring retainer.

Check to make sure there is no dirt, etc. inside the spring housing, and check for seizure or any damaged screw threads. Then, using a wrench, turn the adjustment screw back and forth. Check to make sure that it turns smoothly. A slight torque is necessary since the motor has a rotational load. If the adjustment screw does not rotate smoothly, contact TLV immediately.

Note: Do not remove the drive section cover. The drive section, which contains precision electronic components, is maintenance-free.

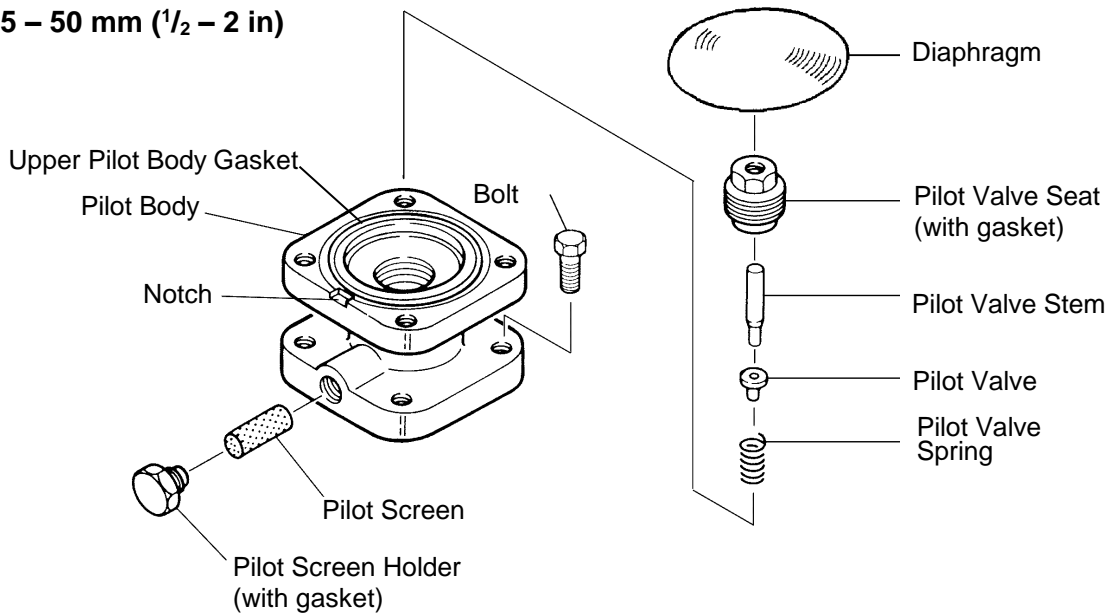


Disassembling the Pilot Section

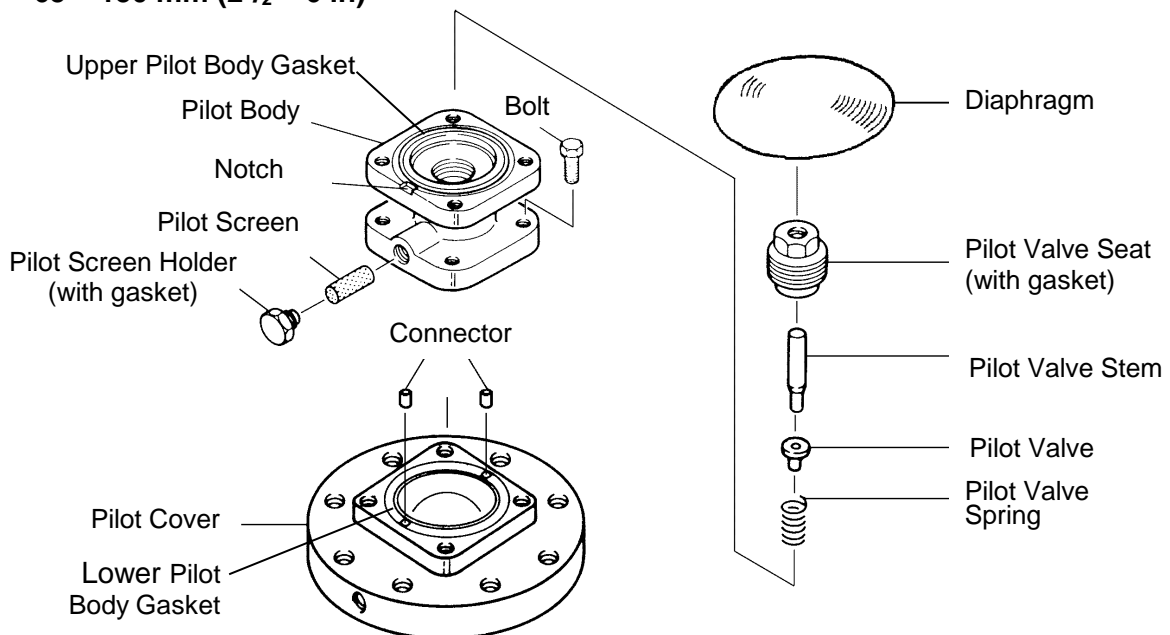
The diaphragm is removed by utilizing the notch in the pilot body. Loosen and remove the pilot valve seat with a box wrench. Pick up the pilot valve and the pilot valve spring with a pair of tweezers. Loosen and remove the pilot screen holder to remove the pilot screen.

Check for any fault on the seat of the pilot valve, flaws on the gaskets, and clogging of the pilot screen. Check for deformation, corrosion or faults on the diaphragm. The diaphragm should be convex (open downward), with the printed UP mark on the top.

15 – 50 mm (1/2 – 2 in)



65 – 150 mm (2 1/2 – 6 in)



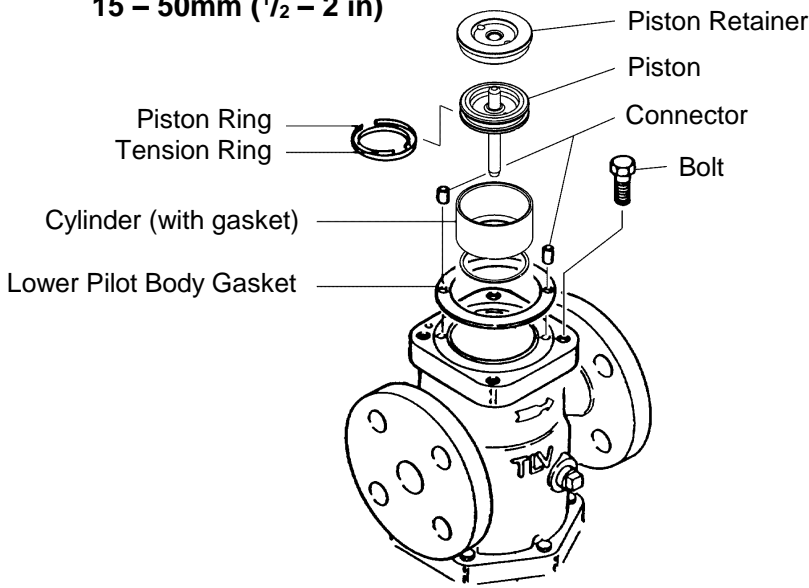
Disassembling the Main Valve Section

Remove the pilot body after loosening and removing the bolts. During this process, pay attention not to lose the two connectors. Remove the piston and the cylinder from the main body. Then remove the piston ring and the tension ring from the piston.

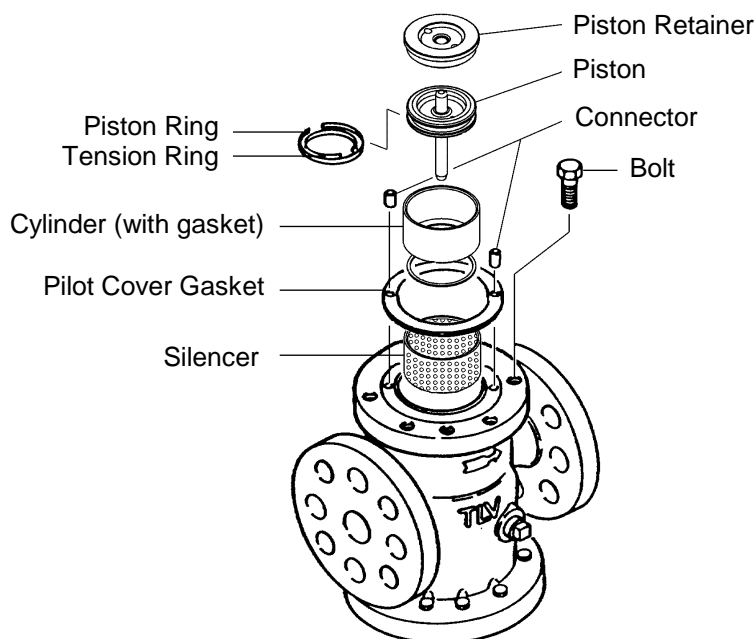
Note: Do not apply too much force when removing the piston ring and tension ring.

Inspect the interior of the cylinder, the exterior of the piston rings, the small hole on the piston and the gaskets for any fault or abnormality.

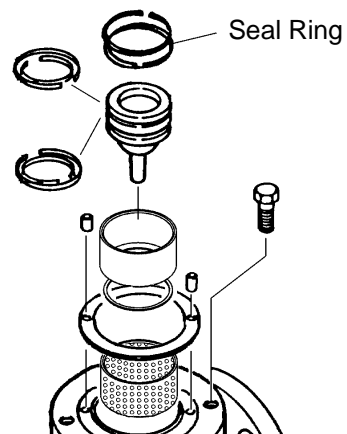
15 – 50mm (1/2 – 2 in)



62 – 125 mm (2 1/4 – 5 in)



150 mm (6 in)



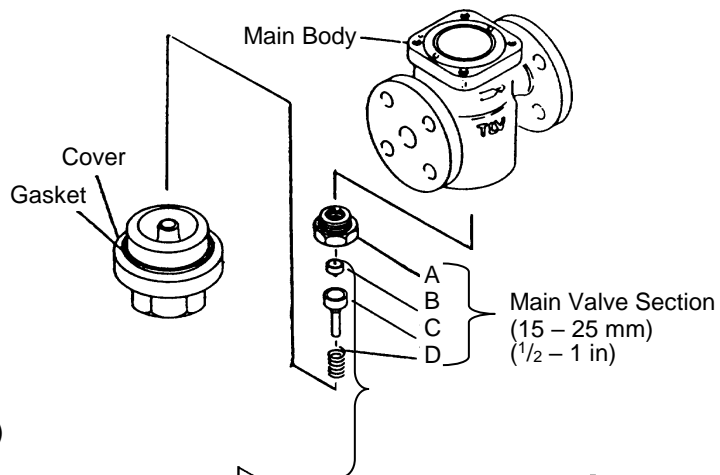
Disassembling the Main Valve and Cover Sections

Loosen the bolts and remove the cover permits removal of the main valve, main valve holders and main valve spring. Remove the main valve seat from the main body with a box wrench.

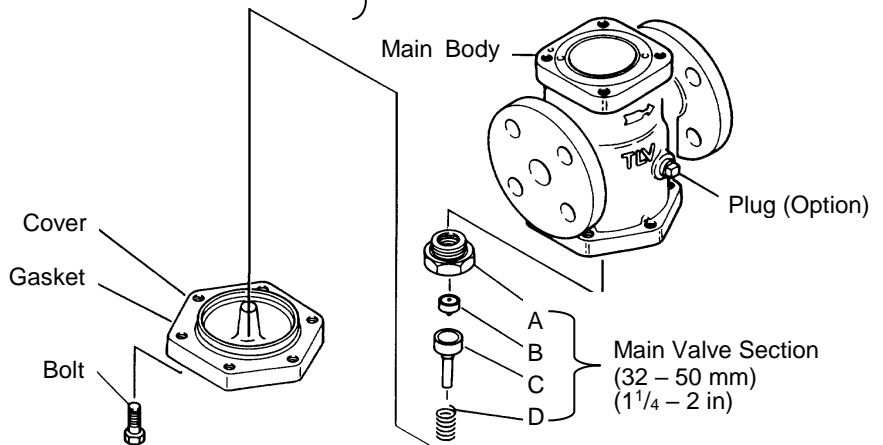
Check for damage on the seating and sliding surfaces of the main valve and the gaskets.

[At startup following shutdown for a long period, always blow down the piston section of the main body through the plug if equipped.]

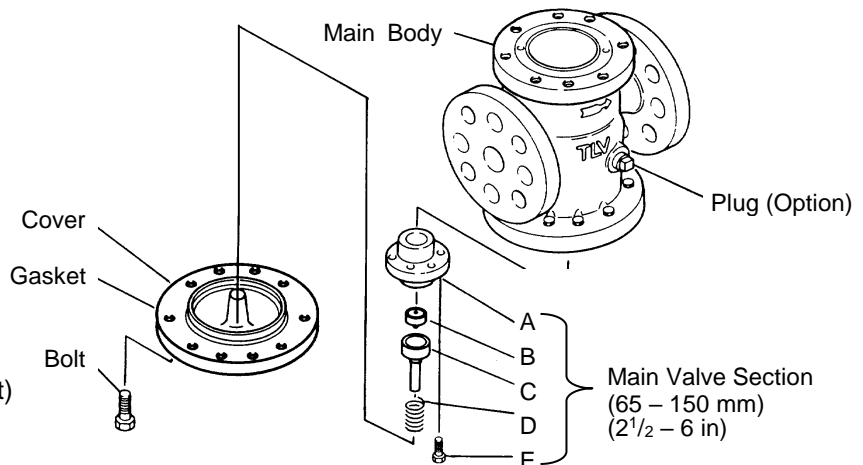
15 – 25 mm (1/2 – 1 in)



32 – 50 mm (1 1/4 – 2 in)



65 – 150 mm (2 1/2 – 6 in)



- A: Main Valve Seat (with gasket)
- B: Main Valve
- C: Main Valve Holder
- D: Main Valve Spring
- E: Bolt

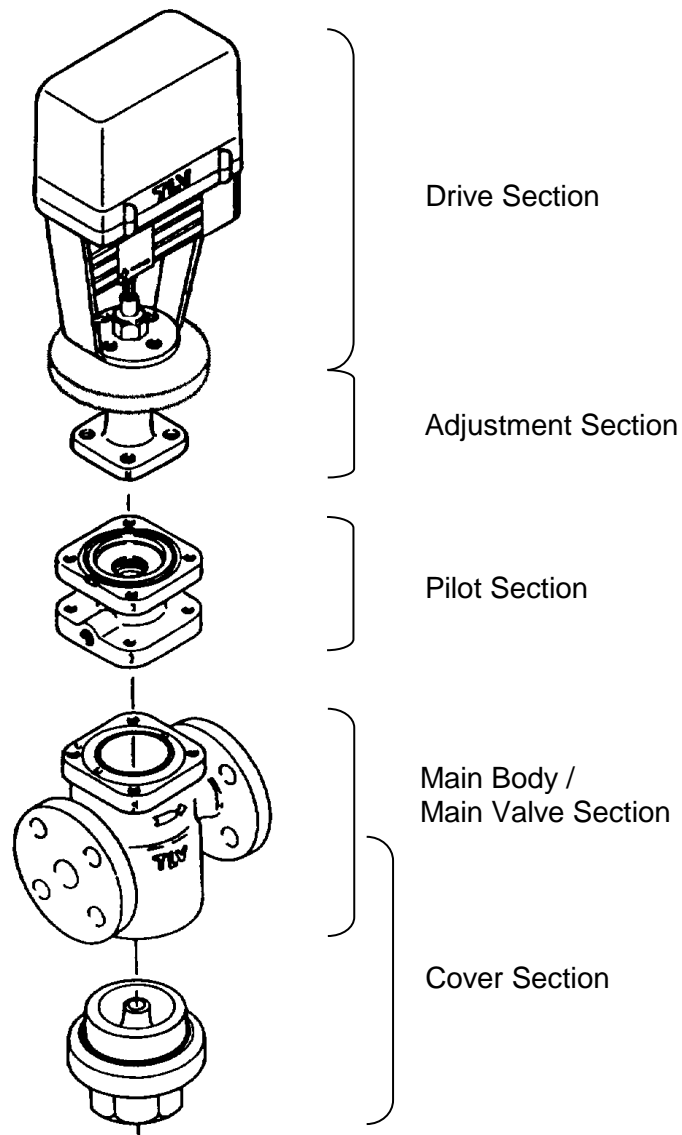
Cleaning

After inspection and removal of any abnormality, clean and reassemble the parts. The following parts will require cleaning before reassembly:

Pilot Screen	Piston Ring
Main Valve Seat	Cylinder
Main Valve	Pilot Valve
Piston	Pilot Valve Seat

It is permissible to clean using water, however cleaning with a mild detergent is recommended for more effective cleaning.

Exploded View



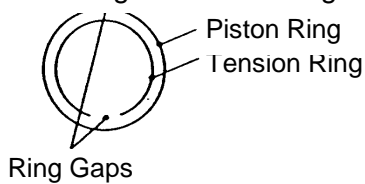
NOTE: The shape of individual parts may vary depending on the model size.

Reassembly

Assemble the unit using the same procedure as used for disassembling it; but in reverse order. Observe the following precautions:

1. The PTFE gaskets may be re-used if free from fault, crushing or deformation.
2. Apply anti-seize to the threaded portion of screws and bolts and adjustment screw. Apply a small amount of anti-seize to the threads of the main valve seat, pilot valve seat and pilot screen holder. Apply anti-seize carefully to ensure it does not come into contact with other parts.
3. Fasten the bolts one at a time in an alternating diagonal pattern to provide uniform seating.
4. After assembly, make sure that the piston and the pilot valve operate smoothly without binding.

Assembling the Piston Ring



- 1) Fit the piston ring to the outside of the tension ring.
- 2) The ring gaps should be opposite each other.

5. Standard fastening torque and the distance across flats to be used are as follows:

Part	Size		Width Across Flats		Tightening Torque	
	mm	(in)	mm	(in)	N·m	(lbf·ft)
Bolt for Mounting Plate/Spring Housing	All		17	(²¹ / ₃₂)	30	(22)
Bolt for Spring Housing/Pilot Body	All		17	(²¹ / ₃₂)	40	(29)
Pilot Valve Seat	All		19	(³ / ₄)	70	(51)
Pilot Screen Holder	All		24	(¹⁵ / ₁₆)	40	(29)
Bolt for Pilot Body/Main Body	15 - 40	(¹ / ₂ - 1 ¹ / ₂)	17	(²¹ / ₃₂)	60	(44)
	50	(2)	19	(³ / ₄)	70	(51)
Bolt for Pilot Body/Pilot Cover	65 - 150	(2 ¹ / ₂ - 6)	17	(²¹ / ₃₂)	60	(44)
Bolt for Pilot Cover/Main Body	65 - 80	(2 ¹ / ₂ - 3)	19	(³ / ₄)	70	(51)
	100, 125	(4, 5)	24	(¹⁵ / ₁₆)	150	(110)
	150	(6)	36	(¹⁷ / ₁₆)	300	(220)
Main Valve Seat	15, 20	(¹ / ₂ - ³ / ₄)	36	(¹⁷ / ₁₆)	100	(73)
	25	(1)	41	(¹⁵ / ₈)	125	(92)
	32, 40	(1 ¹ / ₄ , 1 ¹ / ₂)	60	(²³ / ₈)	250	(185)
	50	(2)	70	(²³ / ₄)	300	(220)
Bolt for Main Valve Seat	65, 80	(2 ¹ / ₂ , 3)	13	(¹ / ₂)	30	(22)
	100, 125	(4, 5)	17	(²¹ / ₃₂)	40	(29)
	150	(6)	22	(⁷ / ₈)	70	(51)
(Main Body) Plug	15 - 20	(¹ / ₂ - ³ / ₄)	41	(¹⁵ / ₈)	250	(185)
	25	(1)	46	(¹³ / ₁₆)	350	(260)
Bolt for Cover / Main Body	32 - 40	(1 ¹ / ₄ - 1 ¹ / ₂)	17	(²¹ / ₃₂)	60	(44)
	50 - 80	(2 - 3)	19	(³ / ₄)	70	(51)
	100, 125	(4, 5)	24	(¹⁵ / ₁₆)	150	(110)
	150	(6)	36	(¹⁷ / ₁₆)	300	(220)

Note: - If a torque greater than that recommended is applied, the MC-COSR or (1 N·m ≈ 10 kg·cm) components may be damaged.

- If drawings or other special documentation were supplied for the product, any torque given there takes precedence over values shown here.

Troubleshooting



When disassembling or removing the product, wait until the internal pressure equals atmospheric pressure and the surface of the product has cooled to room temperature. Disassembling or removing the product when it is hot or under pressure may lead to discharge of fluids, causing burns, other injuries or damage.

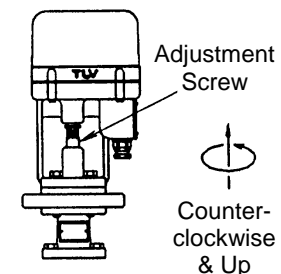
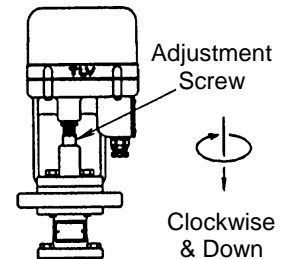


When using this product, NEVER stand close to, or leave tools anywhere near moving parts, such as the adjustment screw. Contact with moving parts or objects becoming caught in moving parts could lead to injury or damage or other accidents.

This product is shipped after stringent checks and inspection and should perform its intended function for a long period of time without failure. However, should there be any problem encountered in the operation of the MC-COSR, identify where the trouble occurs and consult the troubleshooting guide below. When a problem arises, the trouble may lie in the MC-COSR drive section, pressure reducing valve section or the controller.

Identifying Problem Areas

1. Set the operation mode to MANUAL (MAN) on the controller connected to the MC-COSR. This is to enable the operation signal to the drive section to be changed to any value.
2. Set the control output on the controller to any value. Check to make sure that the pressure adjustment screw in the drive section is stopped completely and is not hunting (the secondary steam pressure is stabilized).
3. Increase the control output on the controller. Check to make sure that, as viewed from above, the pressure adjustment screw rotates clockwise while moving downward, and that the secondary steam pressure increases.
4. In the same manner, decrease the control output on the controller. Check to make sure that, as viewed from above, the pressure adjustment screw rotates counterclockwise while moving upward, and that the secondary steam pressure decreases.
5. If the process in steps 2. – 4. above reveals that:
 - The pressure adjustment screw is operating normally but the secondary steam pressure does not change, then see the **Pressure Reducing Valve Troubleshooting** section.
 - The pressure adjustment screw does not rotate, then go on to the next step.



6. Check to see whether the proper line voltage and control signals are being input to the terminals in the drive section terminal box. With the proper wiring, the values should be within the following ranges:

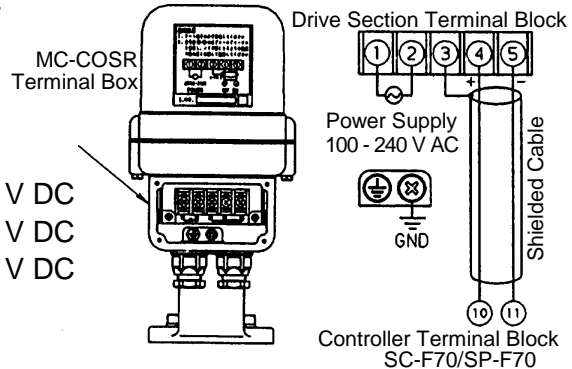
- Line voltage (between terminals 1 and 2): If the value is outside the range of 90 - 264 V AC, enter the proper line voltage.

- Control signal (between terminals 4 and 5): 0.8 – 5.2 V DC.

Note: When the control signal from the controller is:

- 0% – the value should be approx. 1 V DC
- 50% – the value should be approx. 3 V DC
- 100% – the value should be approx. 5 V DC

Points in between those above will vary proportionally.



If the value is outside this range, check for disconnected wiring or controller malfunction. If the voltage is correct but the drive section does still not rotate, there may be a malfunction in the drive unit. Refer to “Drive Section Troubleshooting” and take appropriate measures.

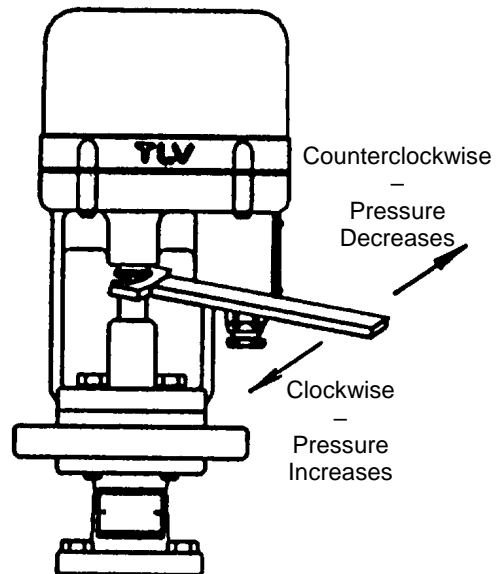
7. Turn OFF the power to the drive section.

8. Using a wrench, turn the adjustment screw slowly. Be careful not to apply excessive force.

9. If the adjustment screw cannot be turned by hand or if it requires more than 10 N·m (7 lbf·ft) torque to do so, contact a TLV serviceworker.

10. Check to make sure that the secondary steam pressure increases when, as seen from above, the adjustment screw has been turned clockwise.

11. Check to make sure that the secondary steam pressure decreases when, as seen from above, the adjustment screw has been turned counterclockwise.



12. If the secondary steam pressure does not change in steps 10. and 11. above, see the **Pressure Reducing Valve Troubleshooting** section.

Pressure Reducing Valve Troubleshooting

Problems are classified as follows:

1. The secondary pressure does not increase.
2. The secondary pressure cannot be adjusted or increases abnormally.
3. Hunting occurs (fluctuation of the secondary pressure).
4. Chattering occurs (a heavy mechanical noise).
5. Abnormal noises.

Major causes for the above problems are usage under non-specified conditions (out of specification), insufficient pressure or flow rate, and clogs by dirt and scale.

Be sure to check for these causes.

To ensure performance for a long period of time, it is recommended that the Safety Considerations and Adjustment sections be reviewed.

Troubleshooting Chart

Problem	Symptom	Cause	Remedy
Secondary pressure does not rise	The body is not warm	No steam is being supplied or the inlet valve is closed	Check upstream steam pipeline
	The body is warm, but the pressure does not increase	The screens or strainer are clogged	Clean or blow down
Secondary pressure cannot be adjusted or increases abnormally	The motor is not turning over	The controller is malfunctioning	Check, repair
	Adjustment is difficult, and set pressure varies	The pilot screen is clogged	Clean
		There is insufficient steam flow	Check the flow; replace the MC-COSR if necessary
		The piston is clogged with dirt	Clean; check the piston ring
		The piston ring is worn	Replace with a new piston ring
		The small hole on the piston is clogged	Clean
		There is a dirt build-up on the sliding surfaces of the pilot valve, piston or main valve	Clean
		Flow rate exceeds rated flow rate	Check the flow rate; replace with a larger size
		The adjustment screw has seized	Replace with a new adjustment screw
		The diaphragm is distorted or damaged	Replace with a new diaphragm
		There is fluctuation in steam consumption	Check flow rate; replace the MC-COSR if necessary
The selected model is inappropriate for the service conditions (specifications)	Check the model selection; replace the MC-COSR if necessary		

Continued on the next page

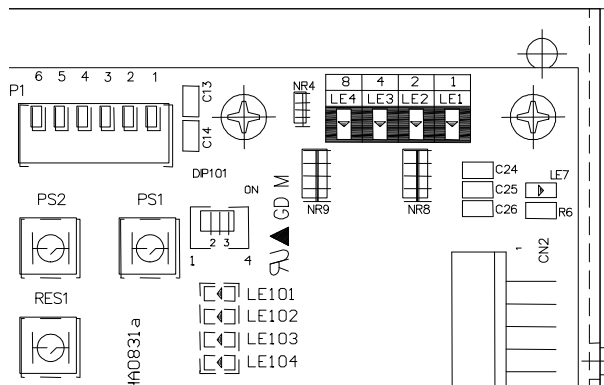
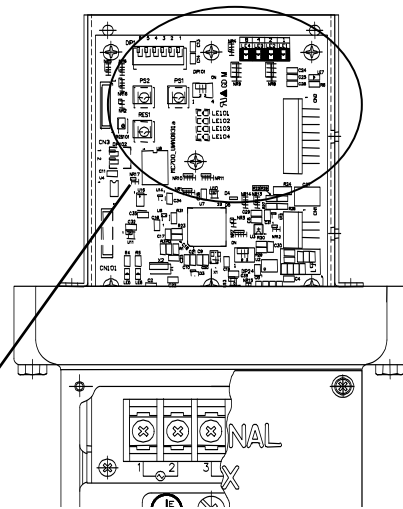
Problem	Symptom	Cause	Remedy
Secondary pressure cannot be adjusted or increases abnormally (continued)	Upon closing secondary side valves, secondary pressure abruptly rises as high as primary pressure	The bypass valve is leaking	Check; clean; replace with a new valve if necessary
		The pilot valve seat or main valve seat is damaged	Replace damaged parts with new
		There is a build-up of dirt on the pilot valve seat or main valve seat	Clean; align; replace if necessary
Hunting or chattering occurs	Occurs at low steam demand	It is being operated below the lower flow rate limit	Check the volume of steam supply, replace with a smaller diameter valve
	Hunting never stops	There is too high a reduction ratio (operated at below 10% of the primary pressure)	Use a two-stage reduction arrangement
		The selected model is inappropriate for the service conditions (specifications)	Check the model selection, replace the MC-COSR if necessary
	Chattering never stops	Condensate is contained	check the piping
The selected model is inappropriate for the service conditions (specifications)		Check the model selection, replace the MC-COSR if necessary	
Abnormal noises	Makes a high-pitched noise	There is too high a reduction ratio, the flow is too great, or there is a high-speed open / close valve nearby	Use two-stage reduction Check the flow rate, use a larger size valve Install the valve as far away as possible

Drive Section Troubleshooting

The drive section has a built-in microcomputer that has a self-diagnosis function of the malfunction of the drive section.

Identify the cause of faulty by following procedures shown below.

1. Turn OFF the power (supplying) to the drive section.
2. Remove the motor cover (blue housing) of the drive section.
3. Confirm the position of the 4 LEDs (LE1 – 4) and the switch (PS1) mounted on the board from the terminal block side.
4. Turn ON the power supply to the drive section, being careful not to be electrocuted or cause a short out since the electrical circuit is exposed.
5. Press the PS1 switch. Confirm the lighting status of the 4 LEDs. Different LEDs light up depending on the malfunction. Refer to the table on the next page and take proper measures.



Malfunctions and Countermeasures

○:OFF ●:ON

LE 4, 3, 2, 1	Malfunction Details	Performance of the actuator when abnormality occurs	Remedy
○○○○	No malfunction is detected (All LEDs are normally OFF)	Continuous operation	
○○○●	Operation signal input error	Continuous operation	Operation input signal is abnormal. Make sure that there is no abnormality with the controller and the cable for the operation input signal.
●○○○	Temperature in the actuator is abnormal	Continuous operation	Make sure that the temperature around the drive section is within the specification range (0 to 50 °C (32 – 122 F°).
○○●●	Motor is overloaded	Motor shuts down, then keep rebooting after a few seconds.	Motor is abnormally overloaded. Contact TLV.
○●○●	Low motor load (reducer gear wear, motor slippage)	Continuous operation	Possibility of abnormal wear of the gear in the reducer. Contact TLV.
●○○●	Potentiometer signal error	Stops when malfunction occurs	Potentiometer is abnormal. Contact TLV.
●○●○	Initialization error	Stops when malfunction occurs	If the same phenomenon occurs after switching the power OFF and ON, contact TLV.
●●○○	E ² PROM Store Error	Stops when malfunction occurs	
○●●●	Motor drive power voltage is abnormal	Continuous operation	Possible abnormality of the power supply circuit is considered. Contact TLV.
●○●●	CPU Error	Stops when malfunction occurs	If the same phenomenon occurs after switching the power OFF and ON, contact TLV.
●●●○	External clock stops	Continuous operation using internal clock	Possible abnormality of the internal circuit. Contact TLV.
●●●●	Mode Setting Error	Stops	
○○●○	(spare)	Continuous operation	
○●○○	(spare)	Continuous operation	
○●●○	(spare)	Continuous operation	
●●○●	(spare)	Continuous operation	

TLV EXPRESS LIMITED WARRANTY

Subject to the limitations set forth below, TLV Corporation, a North Carolina corporation (“**TLV**”) warrants that products which are sold by it, TLV CO., LTD., a Japanese corporation (“**TLVJ**”) or TLV International, Inc., a Japanese corporation (“**TII**”), (hereinafter the “**Products**”) are designed and manufactured by TLVJ, conform to the specifications published by TLV for the corresponding part numbers (the “**Specifications**”) and are free from defective workmanship and materials. With regard to products or components manufactured by unrelated third parties (the “**Components**”), TLV provides no warranty other than the warranty from the third party manufacturer(s), if any.

Exceptions to Warranty

This warranty does not cover defects or failures caused by:

1. improper shipping, installation, use, handling, etc., by other than TLV or service representatives authorized by TLV; or
2. dirt, scale or rust, etc.; or
3. improper disassembly and reassembly, or inadequate inspection and maintenance by other than TLV or service representatives authorized by TLV; or
4. disasters or forces of nature or Acts of God; or
5. abuse, abnormal use, accidents or any other cause beyond the control of TLV; or
6. improper storage, maintenance or repair; or
7. operation of the Products not in accordance with instructions issued with the Products or with accepted industry practices; or
8. use for a purpose or in a manner for which the Products were not intended; or
9. use of the Products in a manner inconsistent with the Specifications; or
10. use of the Products with Hazardous Fluids (fluids other than steam, air, water, nitrogen, carbon dioxide and inert gases (helium, neon, argon, krypton, xenon and radon)); or
11. failure to follow the instructions contained in the TLV Instruction Manual for the Product.

Duration of Warranty

This warranty is effective for a period of the earlier of: (i) three (3) years after delivery of Products to the first end user in the case of sealed SST-Series Products for use in steam pressure service up to 650 psig; (ii) two (2) years after delivery of Products to the first end user in the case of PowerTrap® units; or (iii) one (1) year after delivery of Products to the first end user in the case of all other Products. Notwithstanding the foregoing, asserting a claim under this warranty must be brought by the earlier of one of the foregoing periods, as applicable, or within five (5) years after the date of delivery to the initial buyer if not sold initially to the first end user.

ANY IMPLIED WARRANTIES NOT NEGATED HEREBY WHICH MAY ARISE BY OPERATION OF LAW, INCLUDING THE IMPLIED WARRANTIES OF MERCHANTABILITY AND FITNESS FOR A PARTICULAR PURPOSE AND ANY EXPRESS WARRANTIES NOT NEGATED HEREBY, ARE GIVEN SOLELY TO THE INITIAL BUYER AND ARE LIMITED IN DURATION TO ONE (1) YEAR FROM THE DATE OF SHIPMENT BY TLV.

Exclusive Remedy

THE EXCLUSIVE REMEDY UNDER THIS WARRANTY, UNDER ANY EXPRESS WARRANTY OR UNDER ANY IMPLIED WARRANTIES NOT NEGATED HEREBY (INCLUDING THE IMPLIED WARRANTIES OF MERCHANTABILITY AND FITNESS FOR A PARTICULAR PURPOSE), IS **REPLACEMENT**; PROVIDED: (a) THE CLAIMED DEFECT IS REPORTED TO TLV IN WRITING WITHIN THE APPLICABLE WARRANTY PERIOD, INCLUDING A DETAILED WRITTEN DESCRIPTION OF THE CLAIMED DEFECT AND HOW AND WHEN

THE CLAIMED DEFECTIVE PRODUCT WAS USED; AND (b) THE CLAIMED DEFECTIVE PRODUCT AND A COPY OF THE PURCHASE INVOICE IS RETURNED TO TLV, FREIGHT AND TRANSPORTATION COSTS PREPAID, UNDER A RETURN MATERIAL AUTHORIZATION AND TRACKING NUMBER ISSUED BY TLV. ALL LABOR COSTS, SHIPPING COSTS, AND TRANSPORTATION COSTS ASSOCIATED WITH THE RETURN OR REPLACEMENT OF THE CLAIMED DEFECTIVE PRODUCT ARE SOLELY THE RESPONSIBILITY OF BUYER OR THE FIRST END USER. TLV RESERVES THE RIGHT TO INSPECT ON THE FIRST END USER'S SITE ANY PRODUCTS CLAIMED TO BE DEFECTIVE BEFORE ISSUING A RETURN MATERIAL AUTHORIZATION. SHOULD SUCH INSPECTION REVEAL, IN TLV'S REASONABLE DISCRETION, THAT THE CLAIMED DEFECT IS NOT COVERED BY THIS WARRANTY, THE PARTY ASSERTING THIS WARRANTY SHALL PAY TLV FOR THE TIME AND EXPENSES RELATED TO SUCH ON-SITE INSPECTION.

Exclusion of Consequential and Incidental Damages

IT IS SPECIFICALLY ACKNOWLEDGED THAT THIS WARRANTY, ANY OTHER EXPRESS WARRANTY NOT NEGATED HEREBY, AND ANY IMPLIED WARRANTY NOT NEGATED HEREBY, INCLUDING THE IMPLIED WARRANTIES OF MERCHANTABILITY AND FITNESS FOR A PARTICULAR PURPOSE, DO NOT COVER, AND NEITHER TLV, TII NOR TLVJ WILL IN ANY EVENT BE LIABLE FOR, INCIDENTAL OR CONSEQUENTIAL DAMAGES, INCLUDING, BUT NOT LIMITED TO LOST PROFITS, THE COST OF DISASSEMBLY AND SHIPMENT OF THE DEFECTIVE PRODUCT, INJURY TO OTHER PROPERTY, DAMAGE TO BUYER'S OR THE FIRST END USER'S PRODUCT, DAMAGE TO BUYER'S OR THE FIRST END USER'S PROCESSES, LOSS OF USE, OR OTHER COMMERCIAL LOSSES. WHERE, DUE TO OPERATION OF LAW, CONSEQUENTIAL AND INCIDENTAL DAMAGES UNDER THIS WARRANTY, UNDER ANY OTHER EXPRESS WARRANTY NOT NEGATED HEREBY OR UNDER ANY IMPLIED WARRANTY NOT NEGATED HEREBY (INCLUDING THE IMPLIED WARRANTIES OF MERCHANTABILITY AND FITNESS FOR A PARTICULAR PURPOSE) CANNOT BE EXCLUDED, SUCH DAMAGES ARE EXPRESSLY LIMITED IN AMOUNT TO THE PURCHASE PRICE OF THE DEFECTIVE PRODUCT. THIS EXCLUSION OF CONSEQUENTIAL AND INCIDENTAL DAMAGES, AND THE PROVISION OF THIS WARRANTY LIMITING REMEDIES HEREUNDER TO REPLACEMENT, ARE INDEPENDENT PROVISIONS, AND ANY DETERMINATION THAT THE LIMITATION OF REMEDIES FAILS OF ITS ESSENTIAL PURPOSE OR ANY OTHER DETERMINATION THAT EITHER OF THE ABOVE REMEDIES IS UNENFORCEABLE, SHALL NOT BE CONSTRUED TO MAKE THE OTHER PROVISIONS UNENFORCEABLE.

Exclusion of Other Warranties

THIS WARRANTY IS IN LIEU OF ALL OTHER WARRANTIES, EXPRESS OR IMPLIED, AND ALL OTHER WARRANTIES, INCLUDING BUT NOT LIMITED TO THE IMPLIED WARRANTIES OF MERCHANTABILITY AND FITNESS FOR A PARTICULAR PURPOSE, ARE EXPRESSLY DISCLAIMED.

Severability

Any provision of this warranty which is invalid, prohibited or unenforceable in any jurisdiction shall, as to such jurisdiction, be ineffective to the extent of such invalidity, prohibition or unenforceability without invalidating the remaining provisions hereof, and any such invalidity, prohibition or unenforceability in any such jurisdiction shall not invalidate or render unenforceable such provision in any other jurisdiction.

TLV CORPORATION

13901 South Lakes Drive, Charlotte, NC 28273-6790, U.S.A.

Tel: [1]-704-597-9070 Fax: [1]-704-583-1610