



# FLOAT DYNAMIC STEAM TRAP

## MODEL J10

### CAST IRON FLOAT-PISTON TRAP FOR HIGH-CAPACITY PROCESS APPLICATION

#### Benefits

**Inline maintainable, float dynamic steam trap capable of discharging condensate at high flow rates. Suitable for large process heat exchangers.**

1. Self-modulating free float pilot mechanism ensures discharge at near-to-steam temperatures.
2. Proven piston valve allows "pulsing" discharge of condensate at high flow rates and intermittent discharge at low flow rates.
3. Steam chamber design prevents damage to the valve and valve seat on closure.
4. All internal parts are accessible without having to remove the trap from the line.
5. Rugged float construction with up to 1500 psig hydraulic shock rating ensures excellent resistance to water hammer.
6. Manual lock release valve helps eliminate steam locking and air binding.



#### Specifications

Model		J10-30	J10-60
Connection			Flanged
Size (in)			4
Maximum Operating Pressure (psig)	PMO		230
Maximum Differential Pressure (psi)	$\Delta$ PMX		230
Minimum Differential Pressure (psi)			7
Maximum Operating Temperature (°F)	TMO		428
Maximum Allowable Pressure (psig)	PMA		250
Maximum Allowable Temperature (°F)	TMA		428

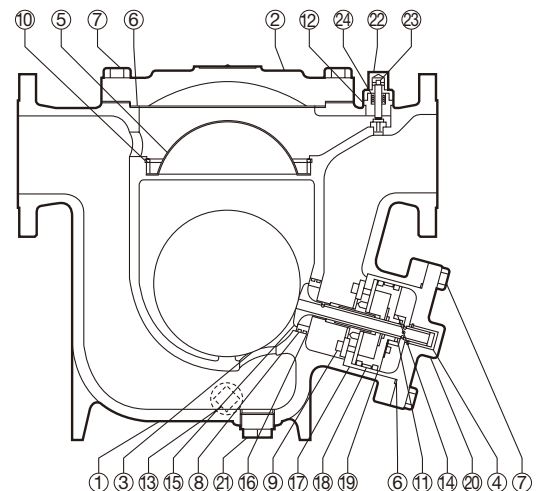
No.	Description	Material	ASTM/AISI*	JIS
①	Body	Cast Iron	A126 Cl. B	FC250
②	Cover	Cast Iron	A126 Cl. B	FC250
③	Float	Stainless Steel	AISI316L	SUS316L
④	Sleeve	Stainless Steel	AISI420F	SUS420F
⑤	Float Cover	Stainless Steel	AISI304	SUS304
⑥	Cover Gasket	Graphite/Stainl. Stl.	- /AISI316L	- /SUS316L
⑦	Cover Bolt	Carbon Steel	A6	SS400
⑧	O-Ring	Synthetic Rubber	D2000CA	EPR
⑨	Main Valve Seat Bolt	Alloy Steel	AISI4135	SCM435
⑩	Snap Ring	Stainless Steel	AISI304	SUS304
⑪	Stopper Ring	Stainless Steel	AISI420F	SUS420F
⑫	Relief Valve Gasket	Soft Iron	AISI1010	SUYF
⑬	Drain Plug	Carbon Steel	A6	SS400
⑭	Turn Stopper	Stainless Steel	AISI304	SUS304
⑮	Main Valve	-	-	-
⑯	Main Valve Seat	-	-	-
⑰	Cylinder	Stainless Steel	AISI304	SUS304
⑱	Piston Ring Set	Fluorine Resin/Stainl. Stl.	PTFE/AISI304	PTFE/SUS304
⑲	Piston	Stainless Steel	AISI304	SUS304
⑳	Valve Cover	Cast Iron	A126 Cl. B	FC250
㉑	Plug	Malleable Cast Iron	A47 Gr.32510	FCMB
㉒	Lock Release Valve Cap	Stainless Steel	AISI303	SUS303
㉓	Lock Release Valve	Stainless Steel	AISI420F	SUS420F
㉔	V-Ring Packing	Fluorine Resin	PTFE	PTFE

\* Equivalent

J10 is a non-standard product, consult TLV for delivery time required.



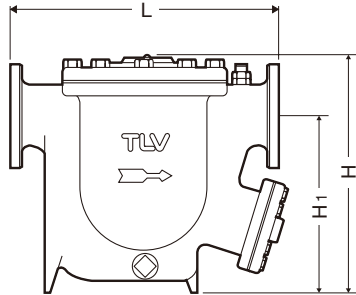
To avoid abnormal operation, accidents or serious injury, DO NOT use this product outside of the specification range. Local regulations may restrict the use of this product to below the conditions quoted.



Copyright © TLV

**Dimensions**

● **J10 Flanged**



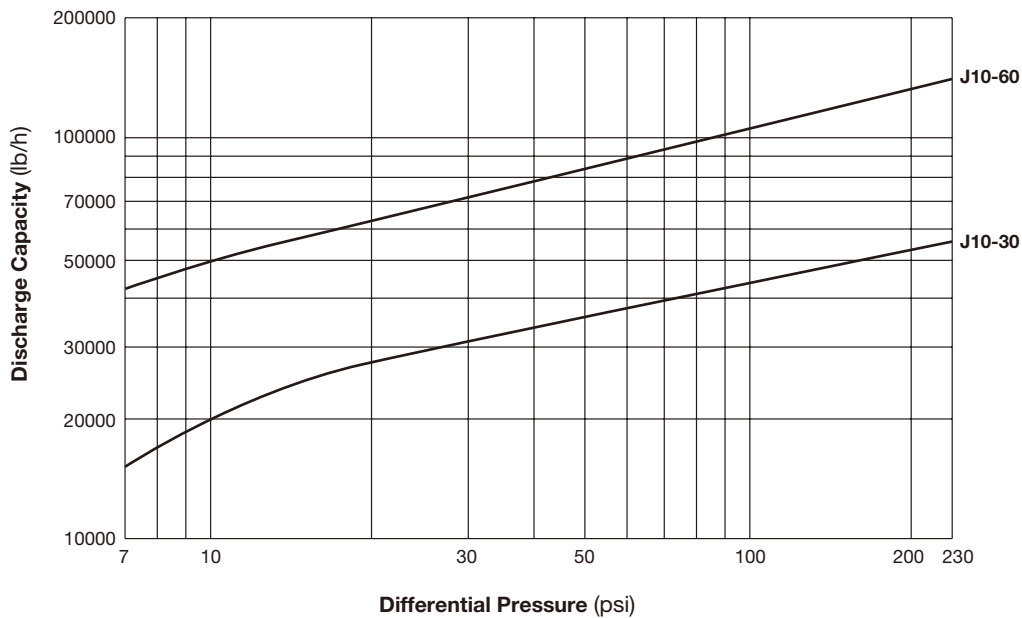
**J10 Flanged\*** (in)

Size	L		H	H <sub>1</sub>	φW	Weight* (lb)
	Connects to ASME Class					
	125FF	250RF				
4	23 7/16	24 1/16	20 1/16	15 9/16	13	267

Other standards available, but length and weight may vary  
 \* Weight is for Class 250 RF

Installation of a strainer at the trap inlet is recommended

**Discharge Capacity**



1. Differential pressure is the difference between the inlet and outlet pressure of the trap.
2. Capacities are based on continuous discharge of condensate 11°F below saturated steam temperature.
3. Select the closest model with a capacity greater than the actual condensate load multiplied by a safety factor of 1.2.

**CAUTION** DO NOT use this product under conditions that exceed maximum differential pressure, as condensate backup will occur!

**CAUTION** DO NOT DISASSEMBLE OR REMOVE THIS PRODUCT WHILE IT IS UNDER PRESSURE. Allow internal pressure of this product to equal atmospheric pressure and its surface to cool to room temperature before disassembling or removing. Failure to do so could cause burns or other injury. READ INSTRUCTION MANUAL CAREFULLY.

**TLV CORPORATION**

13901 South Lakes Drive, Charlotte, NC 28273-6790  
 Tel: 704-597-9070 Fax: 704-583-1610  
 E-mail: [tlv@tlvengineering.com](mailto:tlv@tlvengineering.com) <https://www.tlv.com>  
 For Technical Service 1-800 "TLV TRAP"



Manufacturer  
**TLV CO., LTD.**  
 Kakogawa, Japan  
 is approved by LRQA Ltd, to ISO 9001/14001

