



FREE FLOAT STEAM TRAP

MODEL JH7.5RX/JH7.5R/JH7.5RE

CAST STEEL FREE FLOAT STEAM TRAP WITH THERMOSTATIC AIR VENTING

Benefits

Extremely durable, inline repairable free float trap with tight shut-off for drainage medium to large-size process heaters (JH7.5RE for sootblower service).

1. Self-modulating free float provides soft and continuous, low velocity discharge as process loads vary for maximum performance.
2. Unique rotational seating design eliminates concentrated wear to provide long life.
3. JH7.5RX: durable thermostatic unit automatically vents air for exceptional start-up and performance.
4. Rugged float construction with up to 1570 psig hydraulic shock rating ensures excellent resistance to water hammer.
5. Built-in screen with large surface area ensures extended trouble-free service.
6. JH7.5RE: Three-point seating ensures a steam tight seal even under no-load conditions.



Specifications

Model	JH7.5RX	JH7.5R	JHW7.5RE
Connection	Flanged	Flanged	Socket Weld
Size (in)	1 1/2, 2	1 1/2, 2	1 1/2
Orifice No.	1, 2, 5, 10, 14, 22, 32	40	22, 32, 40
Maximum Operating Pressure (psig) PMO	15, 30, 75, 150, 200, 315, 450	600	315, 450, 600
Maximum Differential Pressure (psi) ΔPMX	15, 30, 75, 150, 200, 315, 450	600	315, 450, 600
Minimum Operating Pressure (psig)		Vacuum	
Maximum Operating Temperature (°F) TMO	464		800
Maximum Allowable Pressure (psig) PMA		650	
Maximum Allowable Temperature (°F) TMA		800	

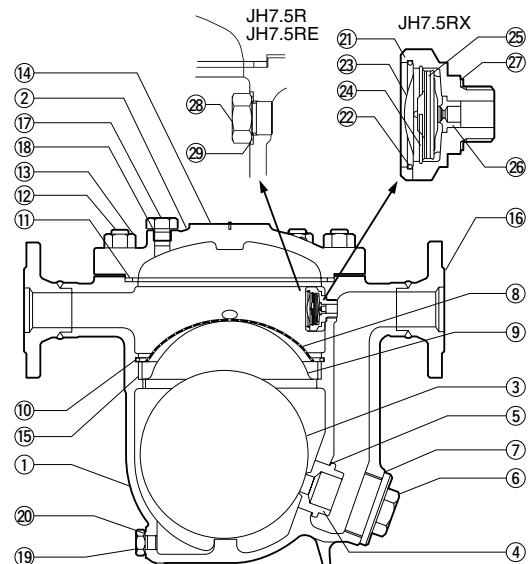
Connections and sizes in bold are standard

No.	Description	Material	ASTM/AISI*	JIS
①	Body	Cast Steel	A216 Gr. WCB	SCPH2
②	Cover	Carbon Steel	A105	-
③ ^F	Float	Stainless Steel	AISI316L	SUS316L
④ ^R	Orifice	Cast Stainless Steel	A217 Gr. CA15	SCS2A
⑤ ^{MR}	Orifice Gasket	Soft Iron	AISI1010	SUYP
⑥	Orifice Plug	Stainless Steel	AI303	SUS303
⑦ ^{MR}	Orifice Plug Gasket	Soft Iron	AISI1010	SUYP
⑧ ^R	Screen	Stainless Steel	AISI430	SUS430
⑨	Screen Holder	Stainless Steel	AISI304	SUS304
⑩	Snap Ring	Stainless Steel	AISI304	SUS304
⑪ ^{MR}	Cover Gasket	Stainless Steel/Graphite	AISI304	SUS304
⑫	Cover Bolt	Alloy Steel	A193 Gr. B16	SNB16
⑬	Cover Nut	Carbon Steel	AISI1045	S45C
⑭	Nameplate	Stainless Steel	AISI304	SUS304
⑮	Screen Holder Retainer	Stainless Steel	AISI304	SUS304
⑯	Flange	Carbon Steel	A105	-
⑰	Plug**	Carbon Steel	AISI1025	S25C
⑱ ^{MR}	Plug Gasket**	Soft Iron	AISI1010	SUYP
⑲ ^R	Drain Plug	Carbon Steel	AISI1025	S25C
⑳ ^{MR}	Drain Plug Gasket	Soft Iron	AISI1010	SUYP
㉑ ^X	X-element Case	Cast Stainless Steel	A351 Gr. CF18	SCS13A
㉒ ^X	Snap Ring	Stainless Steel	AISI304	SUS304
㉓ ^X	X-element Screen	Stainless Steel	AISI304	SUS304
㉔ ^X	Spring Clip	Stainless Steel	AISI304	SUS304
㉕ ^X	X-element	Stainless Steel	-	-
㉖ ^X	Air Vent Valve Seat	Stainless Steel	AISI630	SUS630
㉗ ^{MR}	X-element Case Gasket	Soft Iron	AISI1010	SUYP
㉘ ^R	Plug	Carbon Steel	AISI1025	S25C
㉙ ^{MR}	Plug Gasket	Soft Iron	AISI1010	SUYP

* Equivalent ** For optional Air Vent Valve Kit available for JH7.5R and JH7.5RE
 Parts 21-27 for JH7.5RX only, Parts 28-29 for JH7.5R and JH7.5RE only
 Replacement kits available: (M) maintenance parts, (R) repair parts, (F) float, (X) X-element unit
 Part 18 not included in JH7.5RX replacement kits

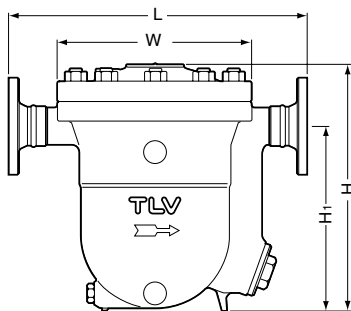


To avoid abnormal operation, accidents or serious injury, DO NOT use this product outside of the specification range. Local regulations may restrict the use of this product to below the conditions quoted.



Dimensions

- **JH7.5RX**
JH7.5R
Flanged



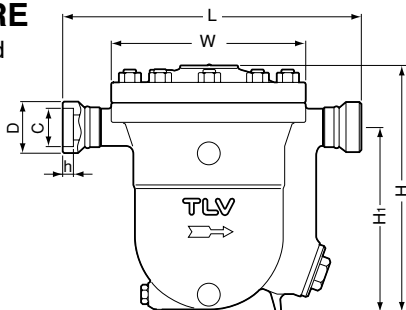
JH7.5RX/JH7.5R Flanged (in)

Size	L			H	H ₁	φW	Weight* (kg)
	ASME Class						
	150RF	300RF	600RF				
1 1/2	18 ⁹ / ₁₆	18 ¹³ / ₁₆	19 ⁷ / ₁₆	15 ⁵ / ₁₆	11 ⁷ / ₁₆	12	141
2	18 ¹¹ / ₁₆	18 ¹⁵ / ₁₆	19 ¹¹ / ₁₆				145

Other standards available, but length and weight may vary
* Weight is for Class 600 RF

Flange classes in bold are standard

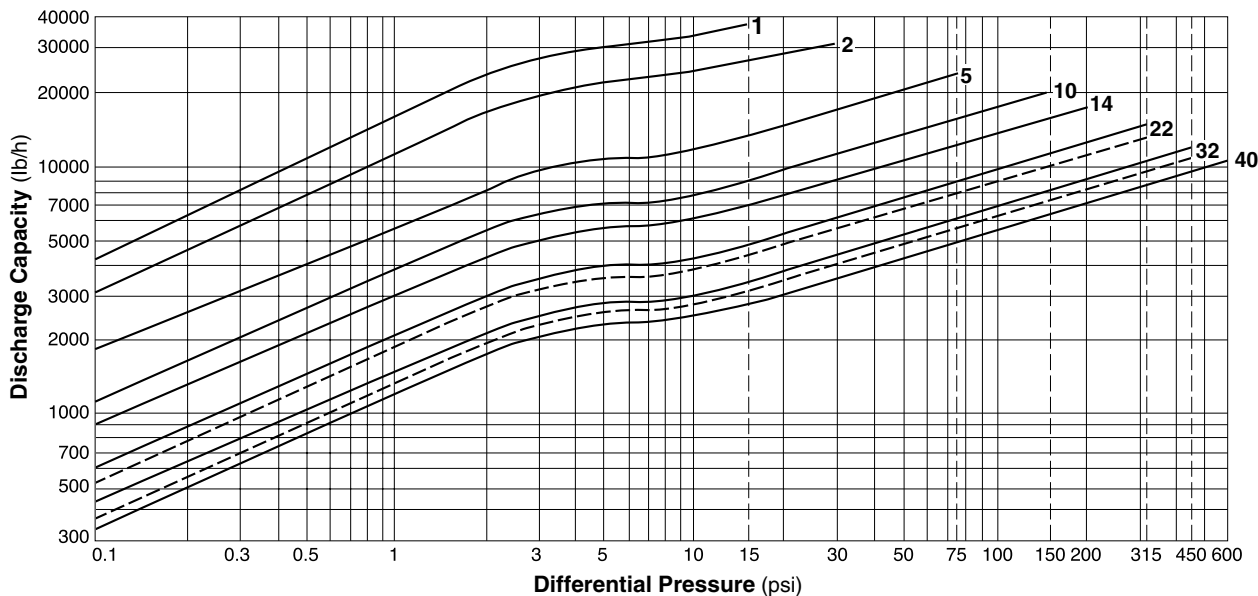
- **JHW7.5RE**
Socket Weld



JHW7.5RE Socket Weld (in)

Size	L	H	H ₁	φW	φD	φC	h	Weight (lb)
1 1/2	18 ³ / ₈	15 ⁷ / ₁₆	11 ⁷ / ₁₆	12	2 1/2	1 ¹⁵ / ₁₆	1/2	112

Discharge Capacity



1. Capacities are based on continuous discharge of condensate 11 °F below saturated steam temperature.
2. Differential pressure is the difference between the inlet and outlet pressures of the trap.
3. Recommended safety factor: 1.5.
4. Capacities for orifice # 1-32 apply only to JH7.5RX. Capacity for orifice # 40 applies only to JH7.5R and JH7.5RE.
5. Capacities for JH7.5RE, orifice 22 and 32 are shown as dotted lines.

CAUTION DO NOT use traps under conditions that exceed maximum differential pressure, as condensate backup will occur!

TLV CORPORATION

13901 South Lakes Drive, Charlotte, NC 28273-6790
Phone: 704-597-9070 Fax: 704-583-1610
E-mail: tlv@tlvengineering.com
For Technical Service 1-800 "TLV TRAP"



Manufacturer
TLV CO., LTD.
Kakogawa, Japan
is approved by LRQA Ltd. to ISO 9001/14001

ISO 9001/ISO 14001

