



THERMODYNE STEAM TRAPS

MODEL P21S

COMPACT THERMODYNAMIC DISC TRAP

Benefits

Stainless steel and compact for tracing, instrumentation, and steam mains.

1. Hardened working surfaces for long life.
2. Lapped disc provides steam-tight seal for long life.
3. Air jacketing reduces cycling and extends life.
4. Built-in screen for extended trouble-free service.
5. Small connections for ease of installation to tracing, instrumentation, and drip lines.



CAUTION DO NOT DISASSEMBLE OR REMOVE THIS PRODUCT WHILE IT IS UNDER PRESSURE. Allow internal pressure of this product to equal atmospheric pressure and its surface to cool to room temperature before disassembling or removing. Failure to do so could cause burns or other injury. READ INSTRUCTION MANUAL CAREFULLY.

Specifications

Model	P21S	
Connection	Screwed	
Size (in)	1/4, 3/8, 1/2	
Maximum Operating Pressure (psig) PMO	300	
Minimum Operating Pressure (psig)	Horizontally installed: 3.5	Vertically installed: 6
Maximum Operating Temperature (°F) TMO	800	
Maximum Allowable Pressure (psig) PMA	600	
Maximum Allowable Temperature (°F) TMA	800	
Maximum Back Pressure	80% of Inlet Pressure	

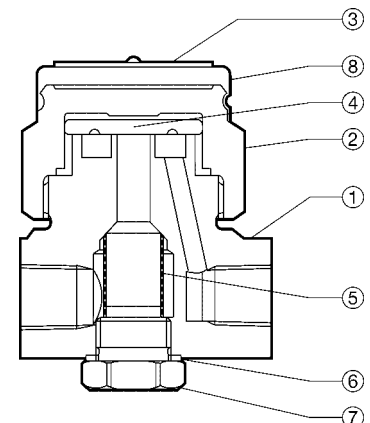


To avoid abnormal operation, accidents or serious injury, DO NOT use this product outside of the specification range. Local regulations may restrict the use of this product to below the conditions quoted. **Connections and sizes in bold are standard**

No.	Description	Material	ASTM/AISI*	JIS
①	Body (1/4", 3/8")	Stainless Steel	AISI420	SUS420J2
	Body (1/2")	Cast Stainless Steel	A743 Gr.CA40	SCS2A
② ^R	Cover	Stainless Steel	AISI420F2	SUS420F2
③ ^R	Nameplate	Stainless Steel	AISI304	SUS304
④ ^R	Disc	Hardened Stainless Steel	AISI420	SUS420J2
⑤ ^R	Screen	Stainless Steel	AISI430	SUS430
⑥ ^{MR}	Screen Holder Gasket (1/4", 3/8")	Stainless Steel	AISI316L	SUS316L
	Screen Holder Gasket (1/2")	Soft Iron	AISI1010	SUYP
⑦	Screen Holder (1/4", 3/8")	Stainless Steel	AISI303	SUS303
	Screen Holder (1/2")	Carbon Steel	AISI1025	S25C
⑧ ^R	Cap	Stainless Steel	AISI304	SUS304

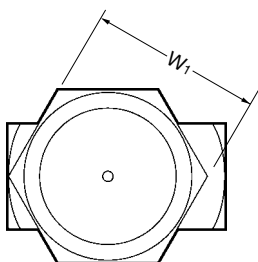
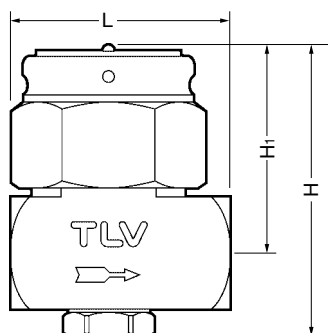
* Equivalent

Replacement kits available: (M) maintenance parts, (R) repair parts



Dimensions

- **P21S**
Screwed

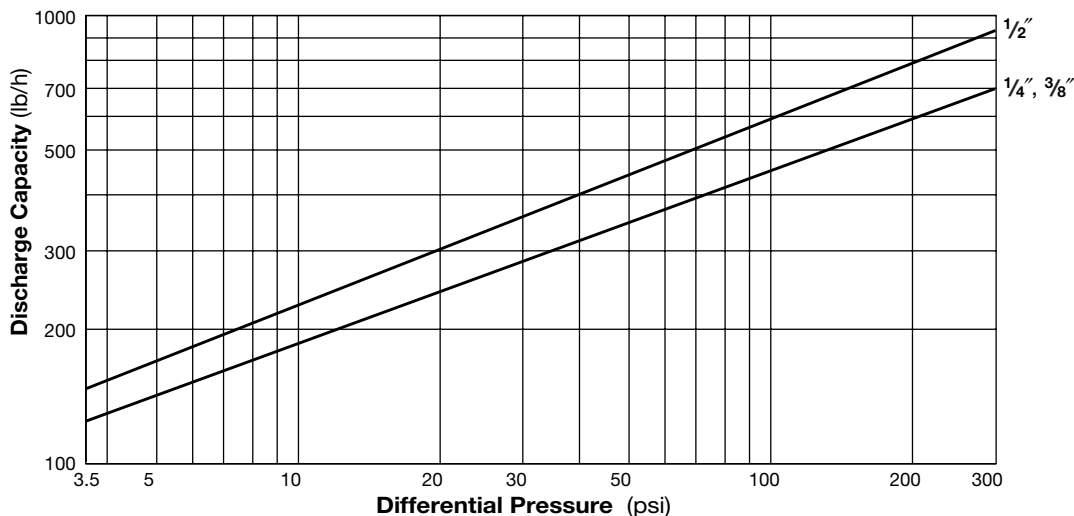


P21S Screwed* (in)

Size	L	H	H ₁	W ₁	Weight (lb)
3/8	1 7/8	2 1/2	1 13/16	1 1/2	0.73
1/2	2	2 9/16	1 13/16	1 3/4	0.91

* NPT, other standards available

Discharge Capacity



1. Differential pressure is the difference between the inlet and outlet pressure of the trap.
2. Recommended safety factor: at least 2.

TLV CORPORATION

13901 South Lakes Drive, Charlotte, NC 28273-6790
 Phone: 704-597-9070 Fax: 704-583-1610
 E-mail: tlv@tlvengineering.com
 For Technical Service 1-800 "TLV TRAP"



Manufacturer

TLV CO., LTD.

Kakogawa, Japan

is approved by LRQA Ltd. to ISO 9001/14001

ISO 9001/ISO 14001

