



THERMODYNE STEAM TRAP

MODEL P46SR

THERMODYNAMIC DISC TRAP WITH THERMOSTATIC AIR VENTING

Benefits

Inline repairable trap with carbon steel weldability for steam mains, tracers and coils.

1. Inline replaceable valve module to lower repair costs.
2. Air-jacketing reduces no-load cycling and extends life.
3. Quick thermostatic air venting with bimetal ring for fast start-up.
4. Lapped disc provides steam-tight seal without air binding for long life.
5. Built-in screen for extended trouble-free service.
6. Hardened stainless steel working surfaces for long life.



Specifications

Model		P46SR	
Connection		Screwed	Socket Weld
Size (in)		1/2, 3/4, 1	
Maximum Operating Pressure (psig)	PMO	650	
Minimum Operating Pressure (psig)		Horizontally installed: 3.5	Vertically installed: 6
Maximum Operating Temperature (°F)	TMO	800	
Maximum Allowable Pressure (psig)	PMA	710	
Maximum Allowable Temperature (°F)	TMA	800	
Maximum Back Pressure		80% of Inlet Pressure	



CAUTION

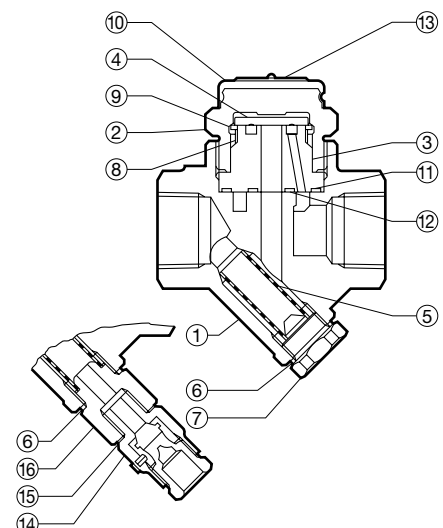
To avoid abnormal operation, accidents or serious injury, DO NOT use this product outside of the specification range. Local regulations may restrict the use of this product to below the conditions quoted.

Connections and sizes in bold are standard

No.	Description	Material	ASTM/AISI*	JIS
①	Body	Carbon Steel	A105	—
② ^R	Cover	Stainless Steel	AISI420F2	SUS420F2
③ ^R	Module Valve Seat	Hardened Stainless Steel	AISI420F	SUS420F
④ ^R	Disc	Hardened Stainless Steel	AISI420	SUS420J2
⑤ ^R	Screen	Stainless Steel	AISI430	SUS430
⑥ ^{MR}	Screen Holder Gasket	Soft Iron	AISI1010	SUYP
⑦	Screen Holder	Carbon Steel	A105	—
⑧ ^R	Air Vent Ring	Bimetal	—	—
⑨ ^R	Disc Holder Ring	Stainless Steel	AISI420F2	SUS420F2
⑩ ^R	Cap	Stainless Steel	AISI304	SUS304
⑪ ^{MR}	Outer Module Gasket	Stainless Steel/Graphite	AISI316L	SUS316L
⑫ ^{MR}	Inner Module Gasket	Stainless Steel/Graphite	AISI316L	SUS316L
⑬ ^R	Nameplate	Stainless Steel	AISI304	SUS304
⑭	Blow-off Valve BO2**	Stainless Steel	AISI430	SUS430
⑮	Blow-off Valve Gasket**	Soft Iron	AISI1010	SUYP
⑯	Screen Holder for BO2**	Carbon Steel	A105	—

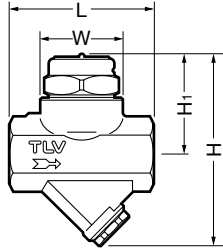
* Equivalent ** Option

Replacement kits available: (M) maintenance parts, (R) repair parts



Dimensions

● **P46SR**
Screwed

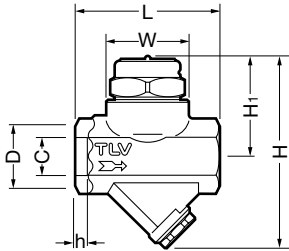


P46SR Screwed* (in)

Size	L	H**	H ₁	φW	Weight (lb)
1/2	3 1/8	4 3/16	2 3/16	1 13/16	2.4
3/4					2.9
1	3 7/16	4 7/16	2 3/8		

* NPT, other standards available
** With optional BO2, add 7/8" to H

● **P46SR**
Socket Weld

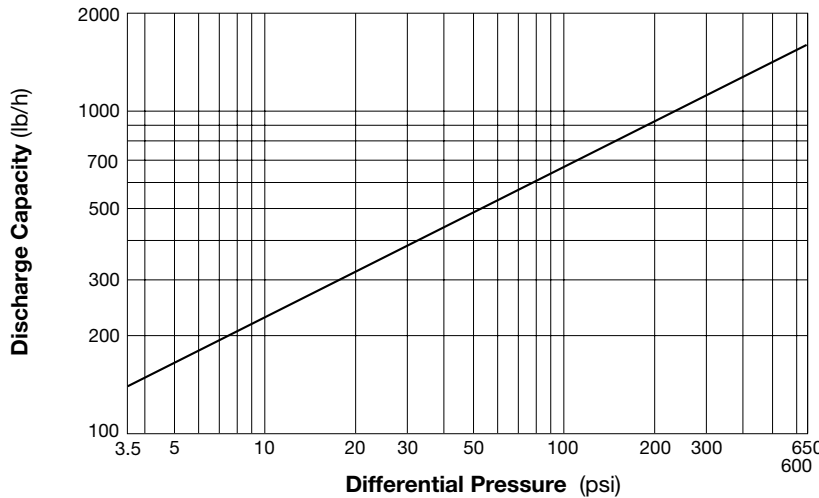


P46SR Socket Weld (in)

Size	L	H*	H ₁	φW	φD	φC	h	Weight (lb)
1/2	3 1/8	4 3/16	2 3/16	1 13/16	1 3/16	7/8	1/2	2.4
3/4					1 7/16	1 1/16		2.9
1	3 7/16	4 7/16	2 3/8		1 3/4	1 3/8		

* With optional BO2, add 7/8" to H

Discharge Capacity



1. Differential pressure is the difference between the inlet and outlet pressure of the trap.
2. Recommended safety factor: at least 2.

TLV CORPORATION

13901 South Lakes Drive, Charlotte, NC 28273-6790
 Phone: 704-597-9070 Fax: 704-583-1610
 E-mail: tlv@tlvengineering.com
 For Technical Service 1-800 "TLV TRAP"



Manufacturer
TLV® CO., LTD.
 Kakogawa, Japan
 is approved by LRQA Ltd. to ISO 9001/14001

ISO 9001/ISO 14001

