



FREE FLOAT STEAM TRAP

MODEL JH8R

HIGH-PRESSURE FREE FLOAT STEAM TRAPS WITH AIR VENT VALVE

Features

A reliable and durable cast steel free float steam trap with tight shut-off for use on large-size process equipment.

1. Self-modulating free float provides continuous, smooth, low velocity condensate discharge as process loads vary.
2. Constant water seal design ensures steam-tight seal, even under low-load conditions.
3. Only one moving part, the free float, eliminates concentrated valve wear and provides long maintenance-free service life.
4. Easy-to-use air vent valve facilitates rapid start-up.
5. Easy, inline access to internal parts simplifies cleaning and reduces maintenance costs.
6. Built-in screen with large surface area ensures trouble-free operation.



Specifications

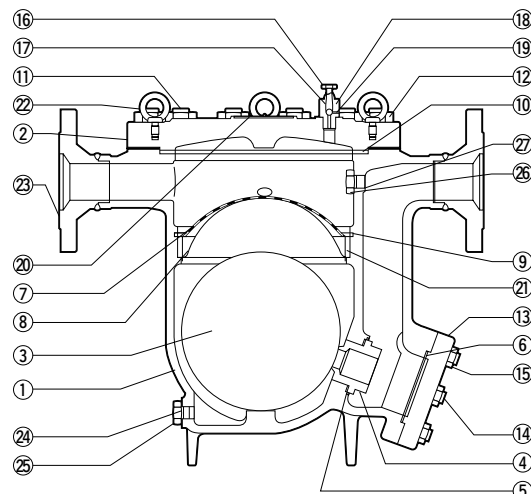
Model	JHW8R	JH8R
Connection	Socket Welded	Flanged
Size (mm)	50, 80, 100	
Orifice No.	0.5, 1, 2, 5, 10, 14, 22, 32, 40	
Maximum Operating Pressure (MPaG) PMO	0.05, 0.1, 0.2, 0.5, 1.0, 1.4, 2.2, 3.2, 4.0	
Maximum Differential Pressure (MPa) ΔPMX	0.05, 0.1, 0.2, 0.5, 1.0, 1.4, 2.2, 3.2, 4.0	
Maximum Operating Temperature (°C) TMO	425	

PRESSURE SHELL DESIGN CONDITIONS (NOT OPERATING CONDITIONS): Maximum Allowable Pressure (MPaG) PMA: 4.6 1 MPa = 10.197 kg/cm²
 Maximum Allowable Temperature (°C) TMA: 425



To avoid abnormal operation, accidents or serious injury, DO NOT use this product outside of the specification range. Local regulations may restrict the use of this product to below the conditions quoted.

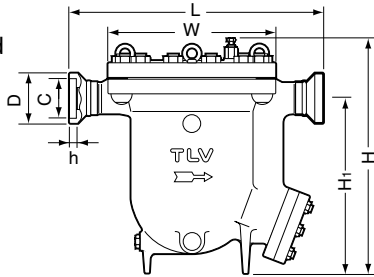
No.	Description	Material	JIS	ASTM/AISI*
①	Body	Cast Steel	SCPH2	A216 Gr. WCB
②	Cover	Carbon Steel	—	A105
③ ^F	Float	Stainless Steel	SUS316L	AISI316L
④ ^R	Orifice	Cast Stainless Steel	SCS2A	A217 Gr. CA15
⑤ ^{MR}	Orifice Gasket	Soft Iron	SUYP	AISI1010
⑥ ^{MR}	Outlet Cover Gasket	Stainless Steel/Graphite	SUS304	AISI304
⑦ ^R	Screen	Stainless Steel	SUS430	AISI430
⑧	Screen Holder	Stainless Steel	SUS304	AISI304
⑨	Snap Ring	Stainless Steel	SUS304	AISI304
⑩ ^{MR}	Cover Gasket	Stainless Steel/Graphite	SUS304	AISI304
⑪	Cover Bolt	Alloy Steel	SNB16	A193 Gr. B16
⑫	Cover Nut	Carbon Steel	S45C	AISI1045
⑬	Outlet Cover	Stainless Steel	SUS420J2	AISI420
⑭	Outlet Cover Bolt	Alloy Steel	SNB16	A193 Gr. B16
⑮	Outlet Cover Nut	Carbon Steel	S45C	AISI1045
⑯ ^V	Air Vent Valve Stem	Stainless Steel	SUS304	AISI304
⑰ ^V	Steel Ball	Stainless Steel	SUS440C	AISI440C
⑱ ^V	Air Vent Valve Body	Stainless Steel	SUS303	AISI303
⑲ ^{MR}	Air Vent Valve Gasket	Soft Iron	SUYP	AISI1010
⑳	Nameplate	Stainless Steel	SUS304	AISI304
㉑	Screen Holder Retainer	Stainless Steel	SUS304	AISI304
㉒	Eye Bolt	Carbon Steel	SS400	A283 Gr. C
㉓	Flange	Cast Steel	—	A216 Gr. WCB
	Socket	Carbon Steel	—	A105
㉔ ^{MR}	Drain Plug Gasket	Soft Iron	SUYP	AISI1010
㉕	Drain Plug	Carbon Steel	S25C	AISI1025
㉖ ^{MR}	Plug Gasket	Soft Iron	SUYP	AISI1010
㉗	Plug	Carbon Steel	S25C	AISI1025



* Equivalent
 Replacement kits available: (M) maintenance parts, (R) repair parts, (F) float, (V) air vent valve unit

Dimensions

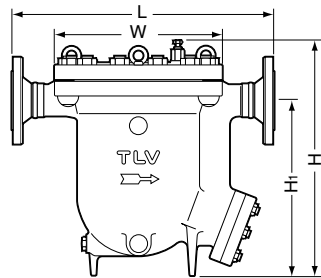
● **JHW8R**
Socket Welded



JHW8R Socket Welded (mm)

Size	φ D	φ C	h	L	H	H ₁	φ W	Weight (kg)
50	77.5	61.1	16	570	536	400	375	111
80	112	90						118
100	140	115.3		610				124

● **JH8R**
Flanged

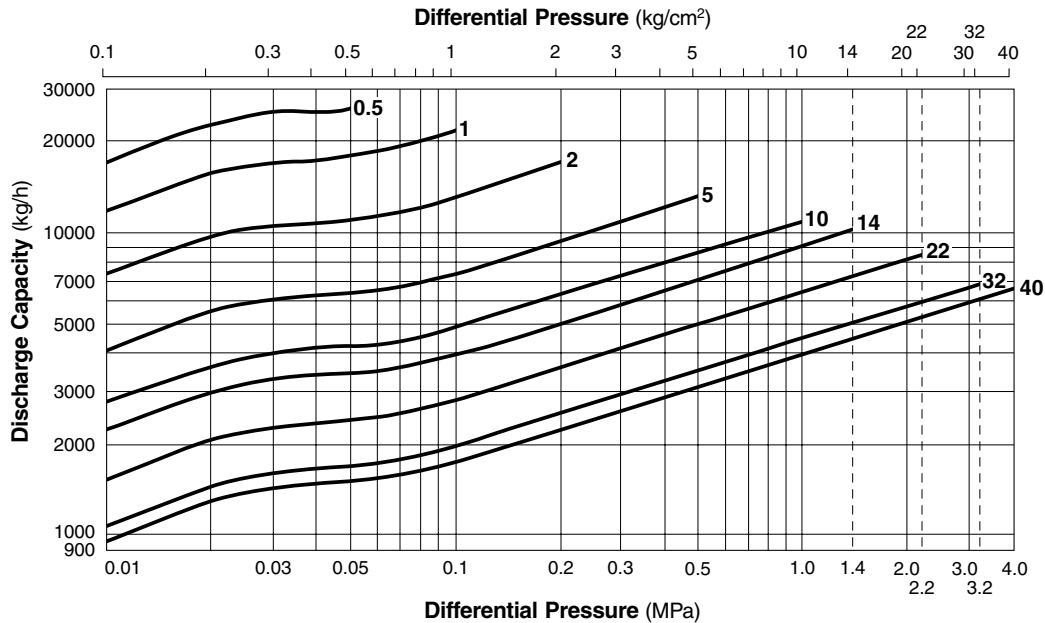


JH8R Flanged* (mm)

Size	L	H	H ₁	φ W	Weight (kg)
50	604	536	400	375	119
80					128
100					138

* JIS 40K RF, other standards available

Discharge Capacity



1. Line numbers within the graph refer to orifice numbers.
2. Differential pressure is the difference between the inlet and outlet pressure of the trap.
3. Capacities are based on continuous discharge of condensate 6°C below saturated steam temperature.
4. Recommended safety factor: at least 1.5.



DO NOT use traps under conditions that exceed maximum differential pressure, as condensate backup will occur!

Manufacturer

ISO 9001/ISO 14001

TLV® CO., LTD.
Kakogawa, Japan

is approved by LRQA Ltd. to ISO 9001/14001

