



BYPASS BLOW VALVE

MODEL BD800

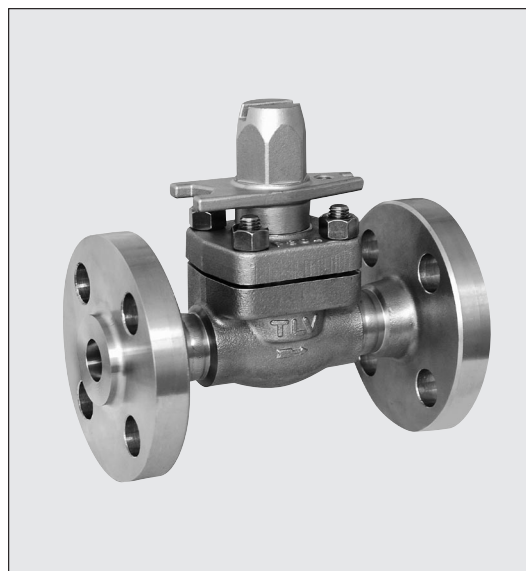
BYPASS BLOW VALVE WITH SCALE REMOVAL FUNCTION AND INLINE MAINTAINABILITY FOR LONG SERVICE LIFE

Features

Valve for use in high temperature and high pressure applications. Ideal for installation on steam trap bypass lines.

Unique construction enables in-line scale removal from the valve seat.

1. Easy-to-use scale removal function ensures reliable long-term sealing performance to avoid internal leakage.
2. Gland packing proven in high pressure applications prevents external leakage.
3. Highly durable materials to prevent erosion.
4. Replaceable gland packing, valve stem, valve seat and gaskets for long product service life.
5. No valve handle to eliminate the risk of erroneous operation.
6. Spanner cap protects valve stem from weather and foreign matter, and can be used to operate the valve or tighten the gland retainer.



Specifications

Model	BD800		
Connection	Screwed	Socket Welded	Flanged
Size (mm)	15, 20, 25		
Maximum Operating Pressure (MPaG) PMO	6.5		
Maximum Operating Temperature (°C) TMO	425		
Applicable Standards	API 598, ASME B16.34		
Seat Leakage (Gas test in accordance with API 598)	0 bubbles / 15 seconds @ 0.6 MPaG		
Applicable Fluids*	Steam, Water, Air		

* Do not use for toxic, flammable or otherwise hazardous fluids.

1 MPa = 10.197 kg/cm²

PRESSURE SHELL DESIGN CONDITIONS (**NOT** OPERATING CONDITIONS): Maximum Allowable Pressure (MPaG) PMA: 6.5
Maximum Allowable Temperature (°C) TMA: 425

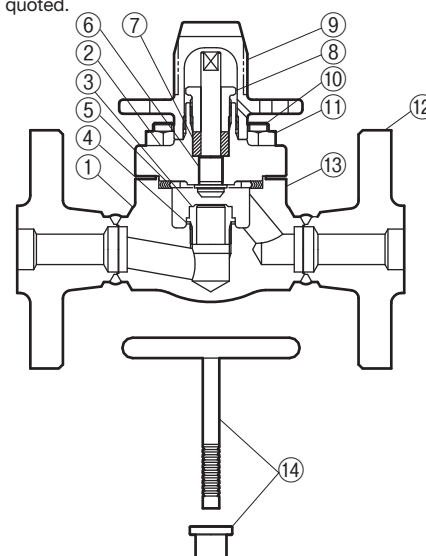


To avoid abnormal operation, accidents or serious injury, DO NOT use this product outside of the specification range. Local regulations may restrict the use of this product to below the conditions quoted.

No.	Description	Material	JIS	ASTM/AISI*
①	Body	Stainless Steel	—	A182 Gr.F304
②	Bonnet	Carbon Steel	—	A105
③ ^R	Valve Seat	—	—	—
④ ^{MR}	Valve Seat Gasket	Stainless Steel	SUS316L	AISI316L
⑤ ^{MR}	Bonnet Gasket	Graphite/Stainless Steel	- / SUS304	- / AISI304
⑥ ^R	Valve Stem	—	—	—
⑦ ^G	Gland Packing	Graphite	—	—
⑧	Gland Retainer	Stainless Steel	SUS303	AISI303
⑨	Spanner Cap	Cast Stainless Steel	—	A351 Gr.CF8
⑩	Bonnet Bolt	Stainless Steel	—	A193 Gr.B8 Cl.2
⑪	Bonnet Nut	Stainless Steel	—	A194 Gr.8
⑫	Flange	Cast Stainless Steel	—	A351 Gr.CF8
⑬	Nameplate	Stainless Steel	SUS304	AISI304
⑭ ^T	Gland Packing Removal Tool**	Stainless Steel	—	—

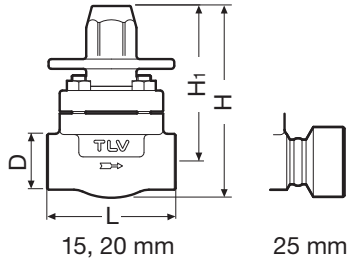
* Equivalent ** Available on request. Consult TLV for details.

Replacement kits available: (M) maintenance parts, (R) repair parts, (G) gland packing, (T) gland packing removal tool



Dimensions

● **BD800 Screwed**

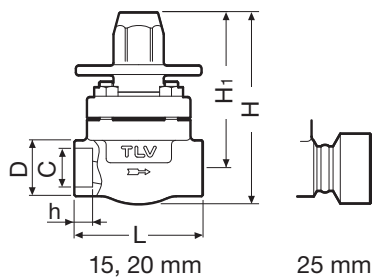


BD800 Screwed* (mm)

Size	L	H	H ₁	φ D	Weight (kg)
15	80	140	115	40	2.2
20	92				2.5
25	160			50	3.0

* Rc(PT), other standards available

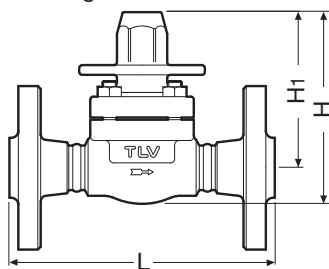
● **BD800 Socket Welded**



BD800 Socket Welded (mm)

Size	L	H	H ₁	φ D	φ C	h	Weight (kg)
15	80	140	115	32	22.2	11	2.2
20	92			38	27.7	13	2.5
25	160			48	34.5	14	3.0

● **BD800 Flanged**



BD800 Flanged (mm)

Size	L			H	H ₁	Weight* (kg)
	ASME Class					
	150RF	300RF	600RF			
15	152	152	165	140	115	4.1
20	178	178	190			5.4
25	203	203	216			6.5

Other standards available, but length and weight may vary
* Weight is for Class 600RF

Cv Values

	Nominal Valve Size (mm)		
	15	20	25
Cv (US)	3.5		
Cv (UK)	2.9		
Kvs (DIN)	3.0		

Manufacturer
TLV CO., LTD.
Kakogawa, Japan
is approved by LRQA Ltd. to ISO 9001/14001

