



# CYCLE COUNTER

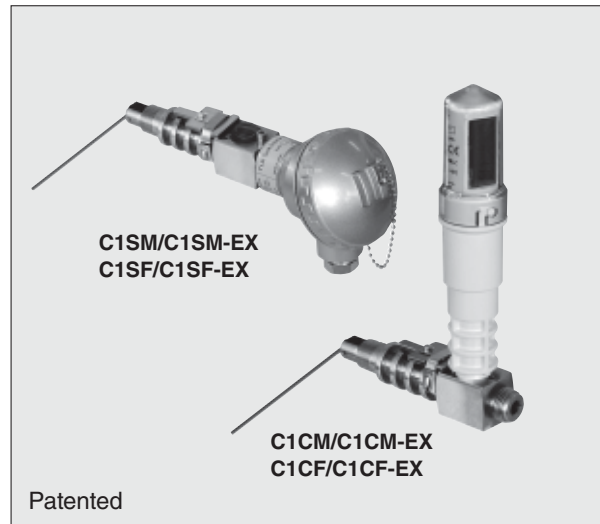
## MODEL C1CM/C1CF C1SM/C1SF

COUNTER FOR MONITORING THE NUMBER OF PUMP CYCLES OF POWERTRAPS

### Features

Enables monitoring of the number of pumping cycles of GP series PowerTraps to help determine the timing of maintenance, or estimate the volume of pumped condensate.

- Two different types are available to support various system requirements.
- The Counter Unit types C1CM(-EX) / C1CF(-EX) include a built-in LCD display and LED that flashes with each operation cycle to allow easy direct observation.
- The Terminal Box types C1SM(-EX) / C1SF(-EX) combine with an external display to enable remote observation or integration into a broader monitoring system.
- Can be equipped on currently installed GP series PowerTraps.
- OK for installation outdoors.



### Specifications

Model	C1CM	C1CM-EX	C1CF	C1CF-EX	C1SM	C1SM-EX	C1SF	C1SF-EX
Type	Counter Unit				Terminal Box			
Installable PowerTrap Models	GP10, GP10M, GP10L, GP14, GP14M, GP14L		GP10F <sup>1)</sup>		GP10, GP10M, GP10L, GP14, GP14M, GP14L		GP10F <sup>1)</sup>	
Description	Standard	Intrinsically Safe <sup>2), 3)</sup>	Standard	Intrinsically Safe <sup>2)</sup>	Standard	Intrinsically Safe <sup>2), 3)</sup>	Standard	Intrinsically Safe <sup>2)</sup>
Connection	Screwed							
Size (mm)	15							
Max. Operating Pressure (MPaG) PMO <sup>4)</sup>	2.1							
Max. Operating Temperature (°C) TMO <sup>4)</sup>	220							
Ambient Pressure <sup>4)</sup>	Atmospheric							
Ambient Temperature <sup>4)</sup>	-10 to 55 °C				-45 to 90 °C	-20 to 80 °C	-45 to 90 °C	-20 to 80 °C
Applicable Fluids <sup>5)</sup>	Steam, Air, Nitrogen, Steam Condensate, Water							
Power Supply	Special Built-in Lithium Battery (3.6V) Battery Life: approx. 10 years <sup>6)</sup>				Max. Input Power (Pi): 1W Max. Incoming Voltage (Ui): 28V Max. Incoming Current (Ii): 120 mA Max. Internal Capacitance (Ci): 3nF Max. Internal Inductance (Li): 0 Note: (Ui)V x (Ii)A ≤ 1 W (Pi)			
Display	8 digit LCD <sup>7)</sup>				—			
Terminal	—				Wiring Inlet: G(PF) ½			
Protection Class	—				IP65			
Accessories	Counter Resetter				—			

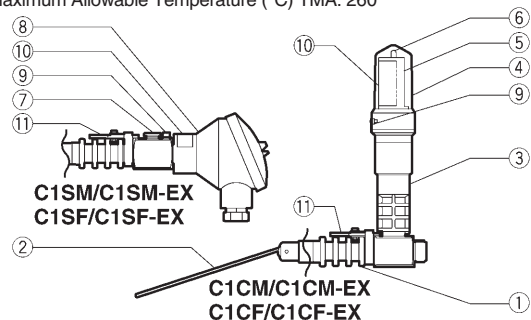
<sup>1)</sup> Only available in some countries. 1 MPa = 10.197 kg/cm<sup>2</sup>  
<sup>2)</sup> ATEX/IECEX/UKEX or cULus. See reverse side for details of applicable standards. <sup>3)</sup> TIIS intrinsically safe type is available on request.  
<sup>4)</sup> PMO and TMO apply to the inserted portion only. Ambient Pressure/Temperature apply to the external portion.  
<sup>5)</sup> Do not use for toxic, flammable or otherwise hazardous fluids. <sup>6)</sup> Battery cannot be replaced. <sup>7)</sup> Counter display can be reset to zero by using the included resetter.

DESIGN CONDITIONS FOR INSERTED PORTION (NOT OPERATING CONDITIONS): Maximum Allowable Pressure (MPaG) PMA: 2.1  
 Maximum Allowable Temperature (°C) TMA: 260



To avoid abnormal operation, accidents or serious injury, DO NOT use this product outside of the specification range. Local regulations may restrict the use of this product to below the conditions quoted.

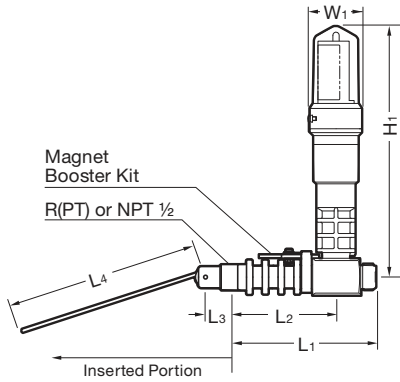
No.	Description	Material	JIS	ASTM/AISI*
①	Sensor Body	Stainless Steel	SUS303	AISI303
②	Sensor Arm	Stainless Steel	SUS304	AISI304
③	Counter Body	Polyetherimide	PEI	—
④	Cap	Polysulfone	PSF	—
⑤	Display (LCD)	—	—	—
⑥	LED	—	—	—
⑦	Switch Unit	Polyetherimide	PEI	—
⑧	Terminal Box	Die Cast Aluminium	ADC	—
⑨	Hex Socket Head Bolt	Stainless Steel	SUS304	AISI304
⑩	Nameplate	Polyester	—	—
⑪	Magnet Booster Kit	Stainless Steel	SUS304	AISI304



\* Equivalent

**Dimensions**

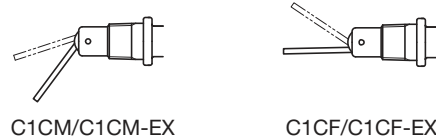
● **C1CM(-EX) / C1CF(-EX)** Screwed



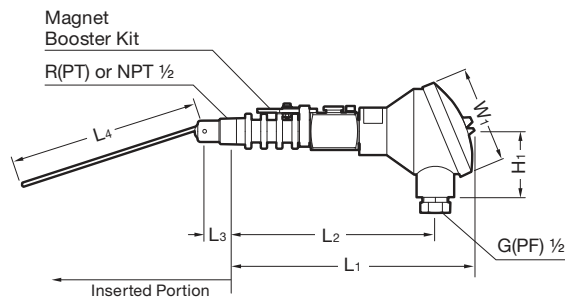
**C1CM(-EX) / C1CF(-EX)** Screwed\* (mm)

Size	L1	L2	L3	L4	H1	φ W1	Weight (g)
15	114	82	22	150	200	41	660

\* R(PT) or NPT, other standards available  
C1CM/C1CM-EX shown. C1CF/C1CF-EX differ only by the travel arc of the sensor arm.



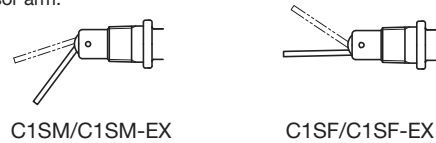
● **C1SM(-EX) / C1SF(-EX)** Screwed



**C1SM(-EX) / C1SF(-EX)** Screwed\* (mm)

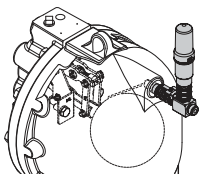
Size	L1	L2	L3	L4	H1	φ W1	Weight (g)
15	195	164	22	150	49	80	700

\* R(PT) or NPT, other standards available  
C1SM/C1SM-EX shown. C1SF/C1SF-EX differ only by the travel arc of the sensor arm.

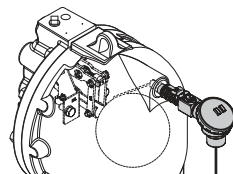


**Installation**

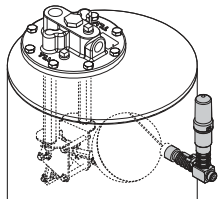
● **C1CM/C1CM-EX**



● **C1SM/C1SM-EX**



● **C1CF/C1CF-EX (C1SF/C1SF-EX)**



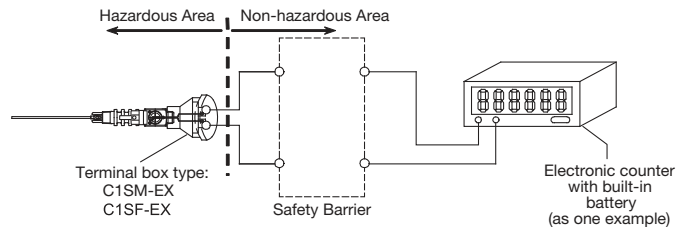
\* Not shown

NOTE: Cycle Counter cannot be installed on GP series PowerTraps insulated with an insulation thickness exceeding 40 mm.

**Intrinsic Safety Standards**

Model	Standard	Class
C1CM-EX C1CF-EX	ATEX	Ex II 2G Ex ib IIB T3/T2 Gb CML 18ATEX2179X
	IECEX	Ex II 2G Ex ib IIB T3/T2 Gb, IECEX CML 18.0094X
	UKEX	Ex II 2G Ex ib IIB T3/T2 Gb CML 21UKEX2742X
C1SM-EX C1SF-EX	cULus	Class I, Zone 1, AEx ib IIB T3/T2 Class I, Zone 1, Ex ib IIB T3/T2 File No. E360402
	ATEX	Ex II 2G Ex ib IIC T3/T2 Gb DEKRA 13 ATEX 0039
	IECEX	Ex ib IIC T3/T2 Gb, IECEX DEK 13.0004
C1SM-EX C1SF-EX	UKEX	Ex II 2G Ex ib IIC T3/T2 Gb CML 21UKEX2642
	cULus	Class I, Zone 1, AEx ib IIC T3/T2 Class I, Zone 1, Ex ib IIC T3/T2 File No. E360402

Safety Barrier: The intrinsic safety specifications of the terminal box type C1SM-EX/C1SF-EX require a safety barrier to be used.



Manufacturer

**TLV** CO., LTD.  
Kakogawa, Japan

is approved by LRQA Ltd. to ISO 9001/14001

ISO 9001  
ISO 14001

