



FREE FLOAT® STEAM TRAP

MODEL FJ32-X/FJ32-B QuickTrap®

UNIVERSAL FREE FLOAT STEAM TRAP WITH THREE-POINT SEATING AND THERMOSTATIC AIR VENTING

Features

A reliable and durable stainless steel steam trap for use on steam mains and process equipment. Two-bolt universal connector facilitates inline steam trap replacement in minutes.

1. Three-point seating ensures a steam tight seal even under no-load conditions.
2. Universal flange allows trap to be positioned in the correct attitude, regardless of the pipeline configuration.
3. Unique free-float design eliminates concentrated wear ensuring long reliable life.
4. **FJ32-X**: Thermostatic capsule (X-element) with "fail open" feature vents air automatically at close-to-steam temperature.
5. **FJ32-B**: Thermostatic bimetal air vent valve vents air automatically for rapid startup.
6. Built-in screens in connector and trap body protect and keep trap module replacement costs low.



Specifications

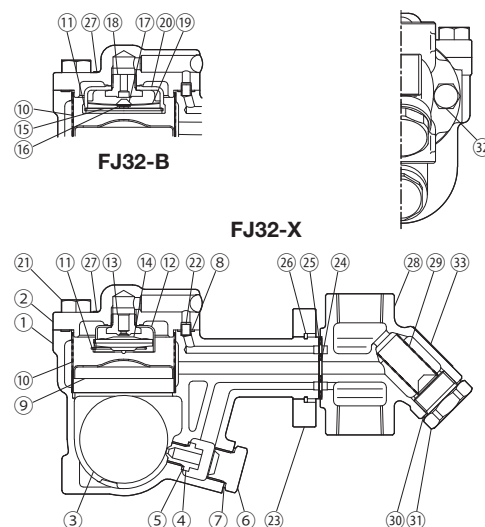
Model	FJ32-X			FJ32-B		
	Screwed	Socket Welded	Flanged	Screwed	Socket Welded	Flanged
Connection						
Size (mm)	15, 20, 25			15, 20, 25		
Orifice No.	2, 5, 10, 14, 22, 32			2, 5, 10, 14, 22, 32		
Maximum Operating Pressure (MPaG) PMO	0.2, 0.5, 1.0, 1.4, 2.2, 3.2			0.2, 0.5, 1.0, 1.4, 2.2, 3.2		
Minimum Operating Pressure (MPaG)	0.01			0.01		
Maximum Differential Pressure (MPa) PMX	0.2, 0.5, 1.0, 1.4, 2.2, 3.2			0.2, 0.5, 1.0, 1.4, 2.2, 3.2		
Maximum Operating Temperature (°C) TMO	240			350		
Connector Unit	F46			F46		
Trap Unit	J32-X*			J32-B*		
Type of Air Vent	X-element type C6: 6 °C subcooling			Bimetal (vents air up to approx. 100 °C)		

* Designed for use with F46, F32 Connector Units, V1/V2/V1P/V2P Trap Stations, and QuickStation™. Trap and Connector Units sent as separate units for flexible installation. 1 MPa = 10.197 kg/cm²
PRESSURE SHELL DESIGN CONDITIONS (NOT OPERATING CONDITIONS): Maximum Allowable Pressure (MPaG) PMA: 3.2
Maximum Allowable Temperature (°C) TMA: 350

No.	Description	Material	JIS	ASTM/AISI ¹⁾
① ^T	Trap Body	Cast Stainl. Steel	—	A351/A351M Gr.CF8
② ^T	Cover	Cast Stainl. Steel	—	A351/A351M Gr.CF8
③ ^{TF}	Float	Stainless Steel	SUS316L	AISI316L
④ ^{RT}	Orifice	—	—	—
⑤ ^{MRT}	Orifice Gasket	Stainless Steel	SUS316L	AISI316L
⑥ ^T	Orifice Plug	Cast Stainl. Steel	—	A351/A351M Gr.CF8
⑦ ^{MRT}	Orifice Plug Gasket	Stainless Steel	SUS316L	AISI316L
⑧ ^{MRT}	Cover Gasket	Stainless Steel/Graphite	SUS316L/—	AISI316L/—
⑨ ^{RT}	Float Cover	Stainless Steel	SUS304	AISI304
⑩ ^{RT}	Screen inside/outside ²⁾	Stainless Steel	SUS304/430	AISI304/430
⑪ ^{RT}	Spring Clip	Stainless Steel	SUS304	AISI304
⑫ ^{RT}	X-element Guide	Stainless Steel	SUS304	AISI304
⑬ ^{RT}	Air Vent Valve Seat	Stainless Steel	SUS420F	AISI420F
⑭ ^{RT}	X-element	—	—	—
⑮ ^{RT}	Air Vent Screen	Stainless Steel	SUS304	AISI304
⑯ ^{RT}	Snap Ring	Stainless Steel	SUS304	AISI304
⑰ ^{RT}	Air Vent Valve Plug	—	—	—
⑱ ^{RT}	Air Vent Valve Seat	—	—	—
⑲ ^{RT}	Bimetal Plate	—	—	—
⑳ ^T	Air Vent Case	Cast Stainl. Steel	—	A351/A351M Gr.CF8
㉑ ^T	Cover Bolt	Stainless Steel	—	A193/A193M Gr.B8 Cl.2
㉒ ^T	Connector	Stainless Steel	SUS416	AISI416
㉓ ^T	Connector Flange	Carbon Steel	—	A105/A105M
㉔ ^{MRT}	Inner Connector Gasket	Stainless Steel/Graphite	SUS304/—	AISI304/—
㉕ ^{MRT}	Outer Connector Gasket	Stainless Steel/Graphite	SUS304/—	AISI304/—
㉖ ^T	Connector Ring	Carbon Steel	SWRH57	AISI1055
㉗ ^T	Nameplate	Stainless Steel	SUS304	AISI304
㉘ ^C	Connector Body	Cast Stainl. Steel	—	A351/A351M Gr.CF8
㉙ ^C	Screen inside/outside	Stainless Steel	SUS304/430	AISI304/430
㉚ ^{MRC}	Screen Holder Gasket	Stainless Steel	SUS316L	AISI316L
㉛ ^C	Screen Holder	Cast Stainl. Steel	—	A351/A351M Gr.CF8
㉜ ^T	Connector Bolt ³⁾	Alloy Steel	SNB7	A193 Gr.B7
㉝ ^C	Nameplate	Stainless Steel	SUS304	AISI304
㉞ ^C	Flange ⁴⁾	Cast Stainl. Steel	—	A351/A351M Gr.CF8
		Stainless Steel	SUS304	AISI304



To avoid abnormal operation, accidents or serious injury, DO NOT use this product outside of the specification range. Local regulations may restrict the use of this product to below the conditions quoted.

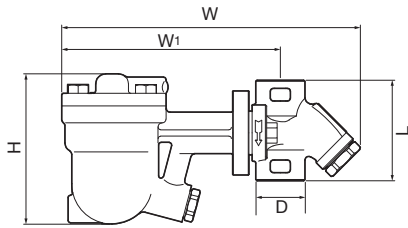


¹⁾ Equivalent materials ²⁾ FJ32-B: outside only ³⁾ Shown on reverse
⁴⁾ Shown on reverse, shape and material depend on flange specifications
Replacements kits available: (M) maintenance kits, (R) repair kits,
(T) trap unit J32-X/B, (C) connector unit F46,
(F) float

Copyright © TLV

Dimensions

● **FJ32-X/FJ32-B** Screwed



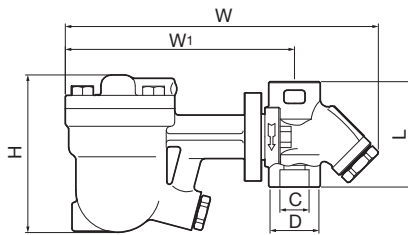
FJ32-X/FJ32-B Screwed* (mm)

Size	L	H**	W**	W ₁ **	φ D	Weight (kg)
15	80	120	240	175	39	2.9
20				175		2.9
25	96			180	46	3.2

* Rc(PT), other standards available

** Approx.

● **FJ32-X/FJ32-B** Socket Welded

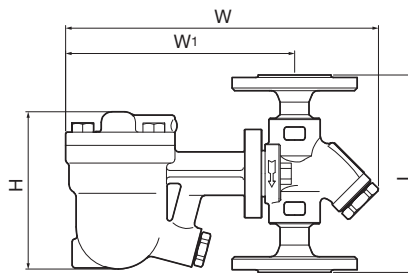


FJ32-X/FJ32-B Socket Welded (mm)

Size	L	H*	W*	W ₁ *	φ C	φ D	Weight (kg)
15	80	120	240	175	22.2	36	2.9
20					27.7		2.9
25	96			180	34.5	44	3.2

* Approx.

● **FJ32-X/FJ32-B** Flanged



FJ32-X/FJ32-B Flanged (mm)

Size	L			H*	W*	W ₁ *	Weight** (kg)
	ASME Class						
	150RF	300RF	600RF				
15	150	150	180	120	240	175	5.0
20							6.2
25							7.0

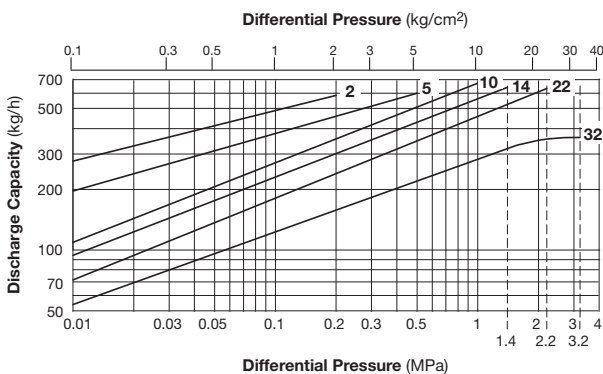
Other standards available, but length and weight may vary

* Approx.

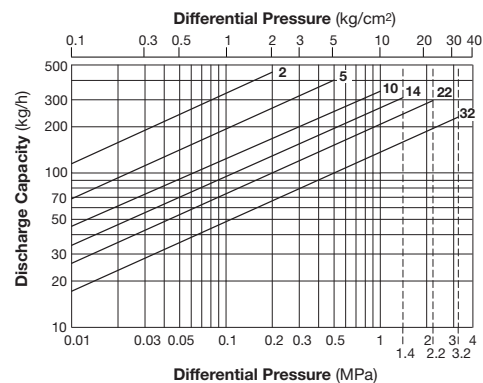
** Weight is for Class 600RF

Discharge Capacity

● **FJ32-X**



● **FJ32-B**



1. Line numbers within the graph refer to orifice numbers.
2. Differential pressure is the difference between the inlet and outlet pressure of the trap.
3. Capacities are based on continuous discharge of condensate 6 °C below saturated steam temperature.
4. Recommended safety factor: at least 1.5.



DO NOT use this product under conditions that exceed maximum differential pressure, as condensate backup will occur!

Manufacturer
TLV CO., LTD.
Kakogawa, Japan
is approved by LRQA Ltd. to ISO 9001/14001

ISO 9001
ISO 14001

