



AIR TRAP

MODEL TATSU2

HIGH-CAPACITY AIR TRAP FOR HIGHLY VISCOUS OIL AND CONDENSATE

Features

Large-capacity air trap automatically drains condensate and oil from compressed air systems. Recommended installations include receiver tanks, after coolers and air mains.

1. Unique design allows self-cleaning of the trap interior during each discharge.
2. Large size orifice eliminates problems due to dirt and oil accumulation.
3. Pilot valve supported by coil spring reduces wear of the sealing surface.
4. Y-strainer and blow down valve allow cleaning during operation to ensure trouble-free service.
5. Internal parts are made of stainless steel or other non-corrosive materials.
6. Optional flow indicator at the trap inlet is available to verify condensate flow.

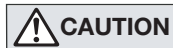


Specifications

Model	TATSU2	
Connection	Screwed	
Size (mm)	25	
Maximum Operating Pressure (MPaG)	PMO	1.0
Maximum Differential Pressure (MPa)	ΔPMX	1.0
Minimum Differential Pressure (MPa)		0.2
Maximum Operating Temperature (°C)	TMO	80
Applicable Fluids*	Air	

* Do not use for toxic, flammable or otherwise hazardous fluids.
PRESSURE SHELL DESIGN CONDITIONS (NOT OPERATING CONDITIONS):
 Maximum Allowable Pressure (MPaG) PMA: 1.0
 Maximum Allowable Temperature (°C) TMA: 150

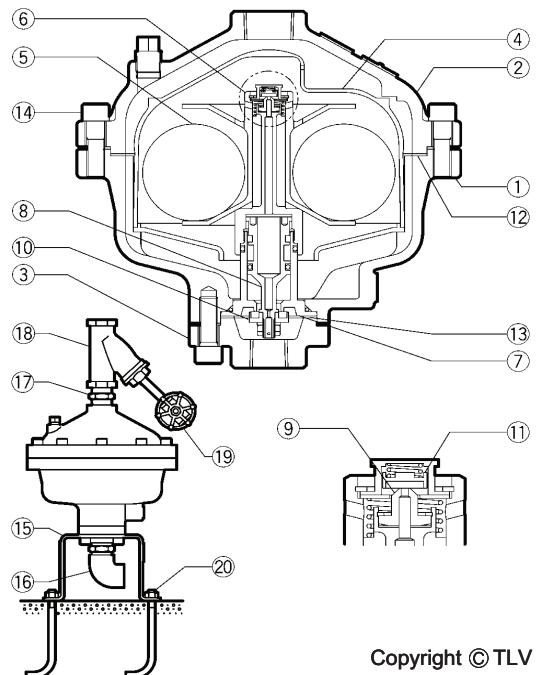
1 MPa = 10.197 kg/cm²



To avoid abnormal operation, accidents or serious injury, DO NOT use this product outside of the specification range. Local regulations may restrict the use of this product to below the conditions quoted.

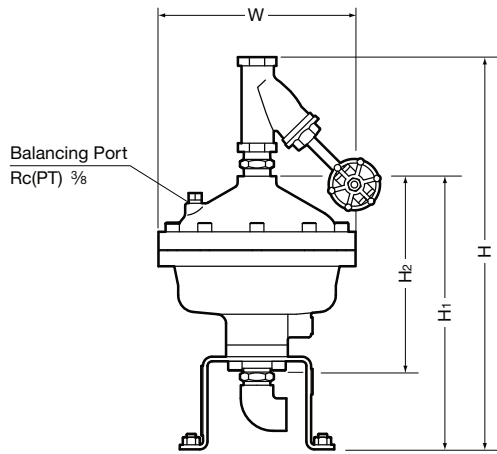
No.	Description	Material	JIS	ASTM/AISI*
①	Body	Cast Iron	FC250	A126 Cl.B
②	Cover	Cast Iron	FC250	A126 Cl.B
③	Outlet Union	Cast Iron	FC250	A126 Cl.B
④	Float Cover	Polypropylene	PP	PP
⑤	Float	Stainless Steel	SUS316L	AISI316L
⑥	Float Holder	Polypropylene	PP	PP
⑦	Main Valve Seat	Stainless Steel	SUS303	AISI303
⑧	Piston	Stainless Steel	SUS303	AISI303
⑨	Pilot Valve Seat	Fluorine Resin	PTFE	PTFE
⑩	Main Valve	Nitrile Rubber/Stainl. Stl.	NBR/SUS304	D2000BF/AISI304
⑪	Pilot Valve	Nitrile Rubber/Stainl. Stl.	NBR/SUS303	D2000BF/AISI303
⑫	Cover Gasket	Fiber-Rubber Compound	—	—
⑬	Outlet Union Gasket	Fiber-Rubber Compound	—	—
⑭	Cover Bolt	Cr-Mo Steel	SMC435	AISI4135
⑮	Trap Support	Carbon Steel	SS400	A6
⑯	Outlet Elbow	Malleable Cast Iron	FCMB270	A47 Gr.32510
⑰	Nipple	Malleable Cast Iron	FCMB270	A47 Gr.32510
⑱	Y-Strainer	Cast Stainless Steel	—	A351 Gr.CF8
⑲	Strainer Blow Valve	Malleable Cast Iron	FCMB270	A47 Gr.32510
⑳	Foundation Bolt/Nut	Carbon Steel	SS400	A6

* Equivalent



Dimensions

● **TATSU2** Screwed



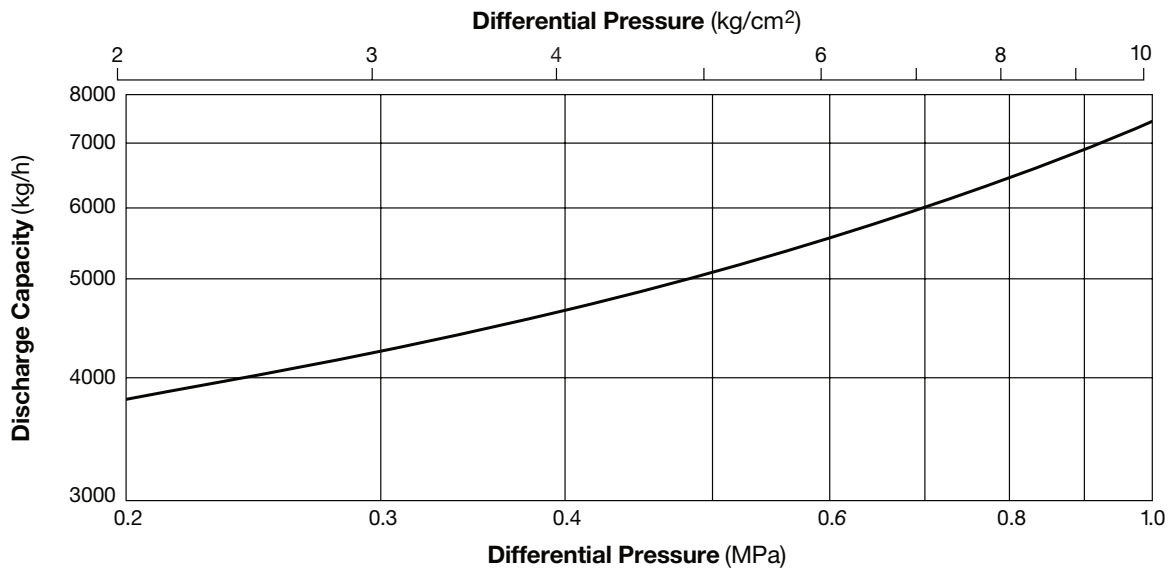
TATSU2 Screwed* (mm)

Size	H**	H1**	H2	φW	Weight (kg)
25	495	354	250	255	21

* Rc(PT), other standards available
 ** Approximate dimensions

NOTE:
 A pressure-balancing line must be connected to the air system from the balancing port at the top of the trap to a place above any possible condensate accumulation in the system.

Discharge Capacity



1. Differential pressure is the difference between the inlet and outlet pressure of the trap.
2. The chart is applicable to condensate below 80°C.
3. The discharge capacity is for a liquid with specific gravity of 1.
4. Recommended safety factor: at least 1.5.

CAUTION DO NOT use traps under conditions that exceed maximum differential pressure, as condensate backup will occur!

Manufacturer
TLV CO., LTD.
 Kakogawa, Japan
 is approved by LRQA Ltd, to ISO 9001/14001

ISO 9001
 ISO 14001