



Y-STRAINER

MODELS Y3/YF/YDF

Y-SHAPED STRAINERS WITH SCREWED OR FLANGED CONNECTIONS

Features

Y-shaped strainers for steam, air and water protect equipment from dirt, rust or scale in the pipeline.

1. Simple yet rugged construction ensures long service life.
2. Double-layer stainless steel screen with large surface area ensures trouble-free operation.
3. Designed for easy inline cleaning and maintenance.
4. Model Y3 made entirely of stainless steel.



Specifications

Model	Y3	YF	YDF
Body Material	Stainless Steel	Cast Iron	Ductile Cast Iron
Connection	Screwed	Flanged	Flanged
Size (mm)	15 - 50	15 - 350	15 - 250
Maximum Operating Pressure (MPaG)	PMO 2.1	0.98	0.98**
Maximum Operating Temperature (°C)	TMO 220	200	250
Standard Screen Mesh Size	60	40	40
Applicable Fluids*	Steam, Air, Water		

* Do not use for toxic, flammable or otherwise hazardous fluids.

1 MPa = 10.197 kg/cm²

PRESSURE SHELL DESIGN CONDITIONS (**NOT** OPERATING CONDITIONS):

Maximum Allowable Pressure (MPaG) PMA: 2.1 (Y3), 0.98 (YF), 0.98** (YDF) ** 1.96 MPaG available only with JIS 20K RF flange

Maximum Allowable Temperature (°C) TMA: 220 (Y3), 200 (YF), 250 (YDF)



To avoid abnormal operation, accidents or serious injury, DO NOT use this product outside of the specification range. Local regulations may restrict the use of this product to below the conditions quoted.

Y3

No.	Description	Material	JIS	ASTM/AISI*
①	Body	Cast Stainless Steel	—	A351 Gr.CF8
②	Screen Holder (Cap)	Cast Stainless Steel	—	A351 Gr.CF8
③	Screen inside/outside	Stainless Steel	SUS304	AISI304
④	Cap Gasket	Fluorine Resin	PTFE	PTFE

* Equivalent

YF

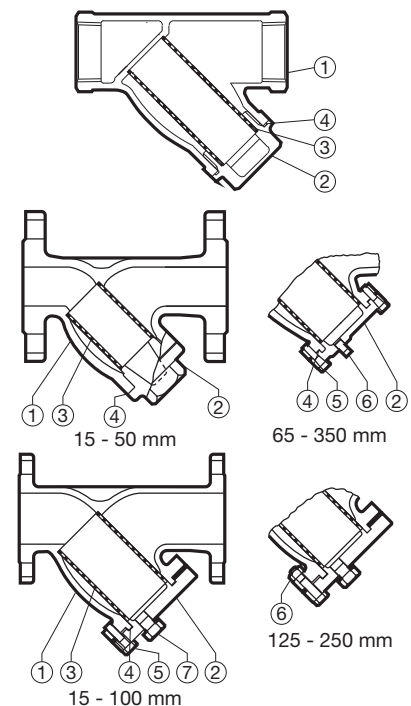
No.	Description	Material	JIS	ASTM/AISI*
①	Body	Cast Iron	FC200	A48 Cl.30
②	Screen Holder (Cap) (15 - 25 mm)	Ductile Cast Iron	FCD450	A536 Gr.65-45-12
	Screen Holder (Cover) (32 - 350 mm)	Cast Iron	FC200	A48 Cl.30
③	Screen inside and outside	Stainless Steel	SUS304	AISI304
④	Cap or Cover Gasket	Inorganic NA Fibre	—	—
⑤	Cover Bolt (65 - 350 mm)	Carbon Steel	SS400	A307 Gr.B
⑥	Drain Plug (65 - 350 mm)	Malleable Cast Iron	FCMB270	A47 Gr.32510

* Equivalent

YDF

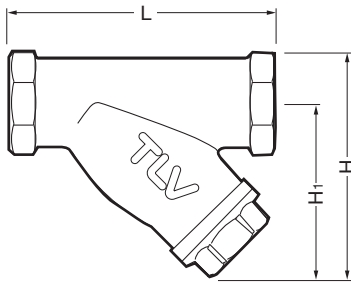
No.	Description	Material	JIS	ASTM/AISI*	
①	Body	Ductile Cast Iron	FCD450	A536 Gr.65-45-12	
②	Screen Holder (Cover)	15 - 50 mm	Carbon Steel	S25C	AISI1025
		65 - 250 mm	Cast Steel	SCPH2	A261 Gr.WCB
③	Screen inside and outside	Stainless Steel	SUS304	AISI304	
④	Cover Gasket	Inorganic NA Fibre	—	—	
⑤	Cover Bolt	Carbon Steel	S45C	AISI1045	
⑥	Cover Nut (125 - 250 mm)	Carbon Steel	S25C	AISI1025	
⑦	Drain Plug	Carbon Steel	S25C	AISI1025	

* Equivalent



Dimensions

Y3
Screwed

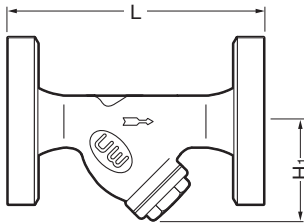


Y3 Screwed* (mm)

Size	L	H	H ₁	Weight (kg)
15	78	66	51	0.3
20	93	78	61	0.4
25	108	92	71	0.6
32	128	108	82	1.0
40	143	122	93	1.2
50	173	154	119	2.1

* Rc(PT), other standards available

YF
Flanged



15 - 50 mm

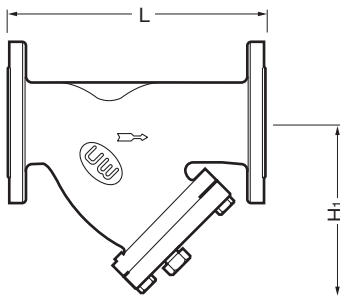
YF Flanged (mm)

Size	L		H ₁	Weight (kg)
	ASME Class			
	150RF			
(15)	125		70	1.7
(20)	140		75	2.2
25	160		85	3.1
32	180		105	4.5
40	190		110	6.0
50	220		130	9.0
65	270		180	17
80	290		200	19
100	350		240	30
125	390		260	39
150	440		320	59
200	540		380	105
250	680		480	165
300	840		600	270
350	1000		800	542

Configuration of YF, sizes 65 - 350 mm differs slightly

() No ASME standard exists for cast iron; machined to fit steel flanges
Other standards available, but length and weight may vary

YDF
Flanged



15 - 100 mm

YDF Flanged (mm)

Size	L		H ₁	Weight (kg)
	ASME Class			
	150RF			
(15)	160		100	3.0
(20)				3.5
25	190		110	5.5
32	240		155	10
40				13
50	250		170	13
65	300		190	19
80	320		215	24
100	380		245	32
125	480		315	60
150	550		380	90
200	620		450	150
250	760		550	250

Configuration of YDF, sizes 125 - 250 mm differs slightly

() No ASME standard for ductile cast iron; machined to fit steel flanges
Other standards available, but length and weight may vary

Manufacturers:

Y3: TLV CO., LTD.

YF: WASINO KIKI CO., LTD.

YDF: WASINO KIKI CO., LTD.

Manufacturer

ISO 9001/ISO 14001

TLV® CO., LTD.
Kakogawa, Japan

is approved by LRQA Ltd. to ISO 9001/14001

